



# DIXON

BAYCO PETROLEUM and FLOTECH™ OVERFILL EQUIPMENT

DIXON BAYCO PETROLEUM & OVERFILL

DBP417



The Right Connection®

DIXONVALVE.COM  
877.963.4966

DBP417

# Table of Contents

## Fuel Compatibility Chart ..... 4

## API Valves ..... 6-8

API Valve Dust Caps .....	7
API Valve Drop Adapters .....	7
API Valve Gravity Drop Adapters .....	8

## Flanged Connections and Accessories ..... 9-10

TTMA Flanged Sight Flow Indicators .....	9-10
TTMA Flange x Thread Adapters .....	10
TTMA Weldable Flanges .....	11
TTMA Flange Reducer .....	12
TTMA Butterfly Valve Spacer .....	12
API & TTMA Flange Gaskets .....	12
TTMA Flange Dimensions .....	12

## Fuel Delivery Elbows..... 13-15

6200 Series- Fuel Delivery Elbows.....	13
6500 Series- Heavy Duty Fuel Delivery Elbows .....	13
Straight Drop Fuel Delivery Connectors .....	14
Fuel Delivery Elbow Inlets .....	14
Side Seal Fuel Delivery Elbows.....	14
Side Seal to Top Seal Adapter .....	15
Elbow Height Extensions.....	15
Tank Cabinet "Dummy" Weld-On-Adapters .....	15

## Coaxial Single Point -

## Fuel Delivery/Vapor Recovery Elbows ..... 15-16

Replacement Fuel Inlets and Vapor Outlets.....	15
Coaxial Elbows .....	16

## Fuel Station ..... 17

Delivery In-Ground Adapters and Caps.....	17
Vapor Recovery Adapters and Caps .....	17

## Vapor Elbows..... 16, 18

Single Point - Coaxial Elbows.....	16
Dual Point - Vapor Recovery Elbows .....	18

## Tank Vapor Equipment ..... 17, 19-20

Tank Vapor Return Valves .....	19
Orange Vapor Caps.....	17, 19
Vapor Hose Couplings.....	20
Tank Sequential Vapor Vents.....	20
Tank Inbreathing and Outbreathing Vents.....	20

## Miscellaneous Tank Equipment.....21-23

Air Interlock Valves.....	21
Hose Tube Doors .....	22
Static Grounding Balls .....	22
Tanker Pipe Caps.....	22
One Way Full Flow Ball Valves .....	23
Two Way 3 Port Diverting Ball Valves .....	23

## Dry Disconnects ..... 24-29

### Cam & Groove Style Dry Disconnect Couplings ..... 24

Female NPT Adapters .....	24
Jump Size Female NPT Adapters .....	25
Female NPS Vapor Adapter .....	25
150# Flange Adapter .....	25
Female NPT Couplers .....	26
Greaseless Female NPT Couplers.....	26
Female NPT Swivel Couplers.....	26
Valve Handle Locking Kits for above Couplers .....	27
Cam & Groove Style Dry Disconnect D2C Couplings .....	27

### Bayco Bayonet Style Dry Disconnect Couplings ..... 28

Female NPT Adapters .....	28
Female NPT Couplers .....	28
Caps and Plugs .....	29

## API Couplers ..... 30

## Groove Connections ..... 31

Aluminum Groove Clamps.....	31
Lightweight Iron Groove Clamps .....	31
Replacement Clamp Gaskets.....	31

## Fuel Nozzles & Accessories ..... 32-37

### Automatic Shut Off..... 32-33

Farm and Consumer Nozzles.....	32
Big Mouth™ Diesel Nozzle.....	32
Fuel Master™ Diesel Nozzle.....	32
DEF Automatic Diesel Nozzle .....	32
Fueler 100™ Automatic Diesel Nozzle.....	33

### Manual Shut Off..... 33-36

Pressure Nozzles for Bulk Delivery .....	33
Replacement Spouts .....	33
High Capacity - Low Pressure/Gravity Utility Nozzle.....	33
Ball Nozzles for Bulk Delivery.....	34
Replacement Spouts and Quick Fill Swivel Nuts.....	34
Standard - Low Pressure/Gravity Utility Nozzle.....	35
Replacement Spouts .....	35
Aircraft Over Wing Nozzles .....	36

### Accessories ..... 36-37

Male x Female NPT Nozzle Swivels.....	36
Male NPT x Hose Shank Swivels .....	36
Breakaways .....	37

## Fuel Tank Accessories..... 38

Automatic Pressure/Vacuum Relief Caps .....	38
Standard Vent Caps .....	38
Automatic Pressure/Vacuum Relief Caps .....	38

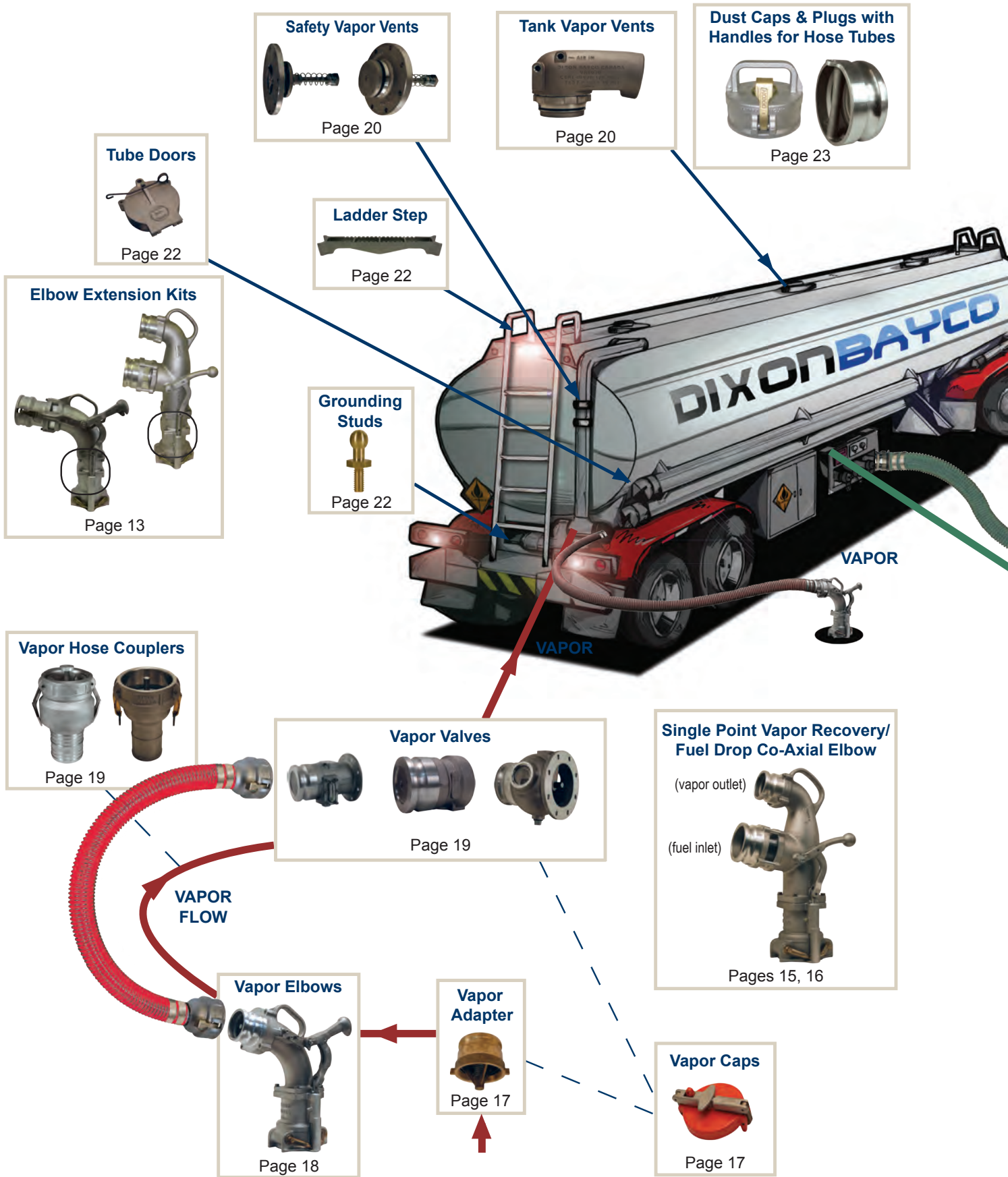
# Table of Contents

<b>Fuel Tanker Overfill Detection.....</b>	<b>39-73</b>	<b>Sockets.....</b>	<b>54-57</b>
<b>Important Information about Dixon® FloTech™ .....</b>	<b>40</b>	Single Sockets with Aluminum Harcoat J Slots .....	54
<b>Plug-n-Play Checkmate Overfill/Retain System .....</b>	<b>41-45</b>	Single Sockets with GFL (Guaranteed for Life)	
Monitors with Integrated Dual Sockets .....	41-42	Stainless Steel J Slots .....	55
Stand Alone Monitors .....	43	EZ-Cept Double Sockets .....	56
Stand Alone Socket Assemblies.....	43	EZ-Cept Triple Sockets .....	57
Overfill Sensors and Probes.....	44	Socket Profiles.....	72-73
Retain Sensors.....	44	<b>Grounding Ball and Bolt .....</b>	<b>58</b>
Wiring Harness.....	45	<b>Cable and Strain Reliefs .....</b>	<b>59</b>
<b>Checkmate Overfill/Retain Black and White</b>		<b>Electronic Equipment.....</b>	<b>60-65</b>
<b>2 Wire System .....</b>	<b>46-47</b>	Optic System Tester .....	60
Checkmate Overfill Detection Systems		Trailer Identification Module (T.I.M.) Chip Reader.....	60
(Top Detection Only) .....	46	FloTech™ Truck Tester.....	61
Checkmate Overfill Detection Systems		FloTech™ FT590 Series Rack Monitor Testers	
(Top and Bottom).....	46	and Mini Trailer Overfill System.....	61
R/OM Type Onboard Monitor .....	47	API Compatible Loading Rack Cords .....	62
Overfill Sensors and Probes.....	47	API Optic Cord Assemblies .....	62
Retain Sensors.....	47	API Thermistor Cord Assemblies .....	63
<b>R/OM Type Overfill/Retain Red and Black</b>		ROM Link Replacement Sensors .....	65
<b>2 Wire System .....</b>	<b>48-50</b>	<b>FloTech™ Replacement Parts.....</b>	<b>66-67</b>
FloTech™ R/OM Overfill Detection Systems		<b>Competitor Cross Reference Chart .....</b>	<b>68-71</b>
(Top Detection Only) .....	48		
FloTech™ R/OM Overfill Detection Systems		<b>Replacement Parts .....</b>	<b>136-161</b>
(Top and Bottom).....	48		
R/OM Type Onboard Monitor .....	49	<b>Index .....</b>	<b>155-176</b>
Overfill Sensors and Probes.....	49		
Retain Sensors.....	50		
<b>FloTech™ API Optic 5 Wire Overfill Detection Systems 51-53</b>			
FloTech™ API Optic Overfill 5 Wire Systems			
(Top Detection Only) .....	51		
FloTech™ API Optic Overfill 5 Wire System			
Onboard Monitor.....	52		
Overfill Sensors and Probes.....	52		
Stainless Steel Probes and Sensor Housings .....	53		

## We Commit

- To ensure that internal and external customer needs are identified and that our products and services meet these needs.
- To fully meet and exceed the requirements of the ISO 9001 Quality Program.
- To strive for quality in each and every phase of our business.
- To exceed competitor’s quality.
- To provide systems and training for all Dixon® employees.
- To create an environment that will allow each employee to do it right the first time, and accept the responsibility for quality in each and every task they perform.
- That no employee will ever be called on to do anything morally, legally or ethically wrong.







**Aluminum TTMA Flanges, Flange Gaskets, Flange Adapters**



Pages 11-12

**FloTech™ Overfill Detection Monitors**



Pages 136-161

**Air Interlocks**



Page 21

**API Valve Caps**

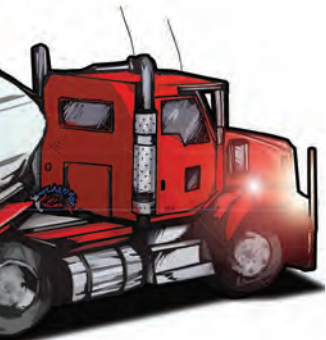


Page 7

**Dust Caps**



**Drop Hose Fittings**



**Sight Glass**



Page 9

**API Valves**



Load Only



Load/Unload

Page 6

**Drop Adapters**



Page 7

**FUEL FLOW**

**Locking Fill Caps**



Page 17

**Drop Elbows**



Page 14

**Top Seal Adapters**



Page 17

**FUEL**

*To Underground Tank*

**Petroleum Tanker Products**

Bayco™ and FloTech™ brand products are engineered for dependable, long service life and designed for easy, low cost maintenance. Where possible, modular systems are incorporated with common parts to minimize inventory of repair items.

# Dixon Bayco Fuel Compatibility Chart



Biofuel Compatible

Dixon Bayco Product	Page #	Description	Fuel Product <sup>1</sup>												
			Gasoline	Diesel	ULSD	Crude Oil	E10	E20	E85	E100	B2	B20	B100		
4500 Series	7	Two Piece API Drop Adapter With Sight Glass, Baylast™ Seals	✓	✓	✓	✓	✓	✓	✓	✓	✓	✓	✓	✓	✓
4500V Series	7	Two Piece API Drop Adapter With Sight Glass, FKM Seals	✓	✓	✓	✓	NR	NR	NR	NR	✓	✓	✓	✓	✓
4530 & 4540	7	API Drop Adapter Without Sight Glass, Baylast™ Seals	✓	✓	✓	✓	✓	✓	✓	✓	✓	✓	✓	✓	✓
4530V & 4540V	7	API Drop Adapter Without Sight Glass, FKM Seals	✓	✓	✓	✓	NR	NR	NR	NR	✓	✓	✓	✓	✓
4530SG & 4540SG	7	One Piece API Drop Adapter With Sight Glass, Baylast™ Seals	✓	✓	✓	✓	✓	✓	✓	✓	✓	✓	✓	✓	✓
4530SGV & 4540SGV	7	One Piece API Drop Adapter With Sight Glass, FKM Seals	✓	✓	✓	✓	NR	NR	NR	NR	✓	✓	✓	✓	✓
5200SFI & 5200SFI-3	7	TTMA Flanged Sight Glass With Baylast™ Seals	✓	✓	✓	NR2	✓	✓	✓	✓	✓	✓	✓	✓	✓
5200SFIV & 5200SFIV-3	7	TTMA Flanged Sight Glass With FKM Seals	✓	✓	✓	NR2	NR	NR	NR	NR	✓	✓	✓	✓	✓
5204	6	API Valve With Sight Glass, Baylast™ Seals	✓	✓	✓	NR2	✓	✓	NR	NR	✓	✓	✓	✓	✓
5204C	6	API Valve With Sight Glass & Removable Handle, Baylast™ Seals	✓	✓	✓	NR2	✓	✓	NR	NR	✓	✓	✓	✓	✓
5204L	6	API Load Only Valve With Sight Glass, Baylast™ Seals	✓	✓	✓	NR2	✓	✓	NR	NR	✓	✓	✓	✓	✓
5204LNG	6	API Load Only Valve Without Sight Glass, Baylast™ Seals	✓	✓	✓	NR2	✓	✓	✓	✓	✓	✓	✓	✓	✓
5204NG	6	API Valve Without Sight Glass, Baylast™ Seals	✓	✓	✓	NR2	✓	✓	✓	✓	✓	✓	✓	✓	✓
5204NGC	6	API Valve Without Sight Glass, With Removable Handle, Baylast™ Seals	✓	✓	✓	NR2	✓	✓	✓	✓	✓	✓	✓	✓	✓
5204NGV	6	API Valve Without Sight Glass, FKM Seals	✓	✓	✓	NR2	NR	NR	NR	NR	✓	✓	✓	✓	✓
5204SFI	6	API Valve With Inline Tube Sight Glass, Baylast™ Seals	✓	✓	✓	NR2	✓	✓	✓	✓	✓	✓	✓	✓	✓
5204SNG	6	API Valve Without Sight Glass, Baylast™ Seals, Stainless Spring	✓	✓	✓	✓	✓	✓	✓	✓	✓	✓	✓	✓	✓
5204TNG	6	API Valve Without Sight Glass, PTFE Seals	NR1	NR1	NR1	NR1	NR1	NR1	NR1	NR1	NR1	NR1	NR1	NR1	✓
5300 & 5400	27	API Rack Coupling Buna Seals	✓	✓	✓	NR	✓	✓	✓	✓	✓	✓	✓	✓	NR
5300B & 5400B	27	API Rack Coupling FKM-B Seals	✓	✓	✓	NR	✓	✓	✓	✓	✓	✓	✓	✓	✓
5300G & 5400G	27	API Rack Coupling FKM GFLT Seals	✓	✓	✓	NR	✓	✓	✓	✓	✓	✓	✓	✓	✓
6000, 6200 & 6500 Series Drop Elbows	11,12	Petroleum Drop Elbows & Inlets, Buna Seals	✓	✓	✓	NA	✓	✓	✓	✓	✓	✓	✓	✓	NR
Vapor or Product Hose Couplings	17	Petroleum Vapor Hose Couplings, Buna Seals	✓	✓	✓	✓	✓	✓	✓	✓	✓	✓	✓	✓	NR
Vapor or Product Hose Couplings	17	Petroleum Vapor Hose Couplings, FKM Seals	✓	✓	✓	✓	NR	NR	NR	NR	✓	✓	✓	✓	✓
VR4000 & VR4100 Series Vapor Valves	17	Petroleum Vapor Valves	✓	✓	✓	✓	✓	✓	✓	✓	✓	✓	✓	✓	✓
VR6100, VR6200 & VR6500 Vapor Elbows	16	Petroleum Vapor Elbows & Inlets	✓	✓	✓	NA	✓	✓	✓	NA	✓	✓	✓	✓	NA
VR6030SQ & VR6035SQ	18	Sequential Vapor Vent Valves, Baylast™ Seals	✓	✓	✓	✓	✓	✓	✓	✓	✓	✓	✓	✓	✓
300GTTFCB & 400GTTFCB	10	Cork Buna TTMA gasket	✓	✓	✓	✓	✓	NR	NR	NR	✓	NR	NR	NR	NR
300GTTFBL & 400GTTFBL	10	TTMA Baylast™ Gasket	✓	✓	✓	✓	✓	✓	✓	✓	✓	✓	✓	✓	✓
400GTTFK	10	Klinger® Style TTMA Gasket	✓	✓	✓	✓	✓	✓	✓	✓	✓	✓	✓	✓	✓
40321TF, 40322TF & 40323TF	10	PTFE Soft Core TTMA Gaskets	✓	✓	✓	✓	✓	✓	✓	✓	✓	✓	✓	✓	✓
40364BL & 40323BL	10	Baylast™ Sump Gaskets	✓	✓	✓	✓	✓	✓	✓	✓	✓	✓	✓	✓	✓
FT151, FT202, FT101	44,46,49	FloTech™ Sensors	✓	✓	✓	✓	✓	✓	✓	✓	✓	✓	✓	✓	✓
FT150S, FT100S	50	FloTech™ Stainless Steel Sensors	✓	✓	✓	✓	✓	✓	✓	✓	✓	✓	✓	✓	✓

**Notes:**

- NA Not Applicable (this product is not used in this application)
- NR Not Recommended
- NR1 Not Recommended cost and tendency for PTFE to become damaged from particulate material is not justified for this application.
- NR2 Not Recommended crude oil contains acids that are corrosive to steel parts
- ULSD Ultra low sulfur diesel (ULSD) is a term used to describe a standard for defining diesel fuel with substantially lowered sulfur contents. As of 2006, almost all of the petroleum based diesel fuel available in Europe and North America is of a ULSD type.
- Crude Oil Oil in its natural state, as it comes from the ground. Crude oil can contain various other chemicals and gases, many of which can be corrosive.
- E10 10% Ethanol, 90% Gasoline
- E20 20% Ethanol, 80% Gasoline
- E85 85% Ethanol, 15% Gasoline
- E100 100% Ethanol
- B2 2% Bio diesel, 98% diesel (normally ULSD as above)
- B20 20% Bio diesel, 80% diesel (normally ULSD as above)
- B100 100% Bio diesel

<sup>1</sup> Petroleum companies often put additives in fuels, additives can affect compatibility with fittings and seals, Please contact Dixon® for more information. FKM GFLT is compatible with all liquids listed above and available from Dixon® by special quotation. Baylast™ is a proprietary seal compound from Dixon®.

## Dixon Bayco Bottom Loading, Gasket and Seal Recommendations For Alternative Fuels

Dixon® has completed several years of testing and engineering evaluation to ensure our products are compatible with all modern motor fuels in use today.

Dixon® uses a proprietary seal compound that we refer to by the trade name Baylast™. Baylast™ has been tested both in the lab and field with excellent results. Baylast™ was developed so we could offer a single seal material compatible with the wide range of alternative fuels used today. Many Dixon Bayco products have been using Baylast™ seals to ensure compatibility with alternate fuels including E100 Ethanol, E85 Ethanol, B2 Bio diesel, B100 Bio diesel, Ultra Low Sulfur Diesel, and standard refined gasoline and diesel products with excellent results. Our tests indicate that Baylast™ performs well down to **-40°F (-40°C)**.

There are mechanical and temperature considerations that must be understood to determine which seal material is suitable for a specific application. A good example is PTFE, it has a very wide chemical compatibility range but is a poor seal material for mechanical reasons. Using FKM-B, or FKM GF is one solution to ensure compatibility, but FKM has limitations regarding mechanical suitability for seal applications with moving joints. One critical and well known limitation to FKM is cold temperature. FKM will become hard at low temperatures and seals with moving parts tend to weep liquid.

On the opposing page is our fuel compatibility chart which outlines our recommendation for each Dixon Bayco product and type of fuel.

Should you have any questions or need additional technical support, please call Dixon® at: 800.355.1991.

### SuperTanker™ Program

## Bottom Load System problems keeping you awake? Our simple guarantee let's you rest easy.

*Every last valve, vent, adapter, sensor . . . the complete Supertanker™ package.*

Our Supertanker™ package includes reliable, high-performance bottom loading equipment from Dixon Bayco and Betts, plus something you really need - a three year warranty that covers materials and workmanship on every component from the overfill system to the manholes, and each valve, vent, adapter, coupling and cap. Everything except wear items such as seals and wear surfaces - where life expectancy is highly dependent upon the material being hauled.

And there's more: with Supertanker™ you get a level of service our competitors simply can't match. If there's a concern with how your new bottom load system works, we fix it, right now, no questions asked. We'll come on-site if that's what you need. And you always have access to our experienced engineering team, people so expert they'll even fix problems with the competitor's system!

Call your Dixon Bayco representative today at 800.355.1991, or visit [www.supertankerweb.com](http://www.supertankerweb.com). You'll get all the details, including an easy to use specification checklist. Just check off the equipment you need and tell your tank builder that you want Supertanker™.

#### Dixon Bayco

800 High Street, Chestertown, MD 21620 • ph 800.355.1991 • fx 800.283.4966

[dixonvalve.com](http://dixonvalve.com) • customer service: 800.355.1991





# Fuel Tanker Loading and Unloading

Petroleum Products

## API Valves

<b>Application:</b>	Used for bottom loading and unloading of petroleum tankers, API valves are typically mounted to the piping below each tank compartment, using the built in 4" TTMA flange connection. Two styles are available: 1) Load only (without handle) which permits terminal loading only. Tanker unloading would be achieved through another tank connection. 2) Load/unload (with a handle) which permits both terminal loading, and fuel unloading through the valve.
<b>Standards:</b>	Manufactured to American Petroleum Institute standard API RP-1004, which allows for positive connection to drop adapters and rack couplers such as the Dixon Bayco 5300/5400 series rack coupler.
<b>Materials:</b>	Aluminum body, and handle *. Anodized Hard Coat Aluminum nose ring. Stainless steel hardware. Baylast™ *, FKM * and PTFE seals *. Nylon sight glass *. Acrylic full body sight glass.
<b>Features &amp; Benefits:</b>	<ul style="list-style-type: none"> <li>• Unique fluid flow sight level *</li> <li>• Ergonomically curved handle operates on a short 62° degree stroke (handle is removable on some models *)</li> <li>• Any required maintenance is simplified, Dixon Bayco API Valves can be completely rebuilt without the need to remove the valve from the tanker *</li> <li>• Nose ring is anodized hard coat aluminum, which in most applications will provide years of trouble free service. Nose ring can be rotated to provide a fresh connection surface.</li> <li>• Biofuel Compatible, up to E100 (100% Ethanol) * and B100 (100% Bio Diesel). For detailed fuel compatibility, please refer to the chart shown on page 4.</li> </ul>



\* Dependent upon part #, see part number list below for more details

### Load/Unload Valves

Part #	Description	Overall Length	Fuel Compatibility
<b>5204NG</b>	Fixed handle with Baylast™ seals (no sight glass)	7"	Gasoline and diesel, up to E100 and B100 biofuels
<b>5204NGC</b>	Canadian API with Baylast™ seals (no sight glass)	7"	Gasoline and diesel, up to E100 and B100 biofuels
<b>5204</b>	Fixed handle, Baylast™ seals and sight glass	7"	Gasoline and diesel, up to E20 and B100 biofuels
<b>5204P</b>	Fixed handle, Baylast™ seals and sight glass, drilled / tapped boss	7"	Gasoline and diesel, up to E20 and B100 biofuels
<b>5204C</b>	Canadian API with Baylast™ seals and sight glass	7"	Gasoline and diesel, up to E20 and B100 biofuels
<b>5204SNG</b>	Fixed handle, Baylast™ seals and stainless steel spring (no sight glass)	7"	Crude oil, gasoline and diesel, up to E20 and B100 biofuels
<b>5204TNG</b>	Fixed handle with PTFE seals (no sight glass)	7"	B100 bio diesel
<b>5204NGV</b>	Fixed handle with FKM seals (no sight glass)	7"	Gasoline and diesel, up to B100 bio diesel
<b>5204SFI</b>	Fixed handle, Baylast™ seals and inline full body sight glass	8.81" *	Gasoline and diesel, up to E100 and B100 biofuels
<b>5204SFI-P</b>	Fixed handle, Baylast™ seals and inline full body sight glass, drilled / tapped	8.81" *	Gasoline and diesel, up to E100 and B100 biofuels

\* Overall length of 5204SFI is the same as a 5204 API valve, gasket and 1¼" sight flow indicator combined

### Load Only Valves

Part #	Description	Overall Length	Fuel Compatibility
<b>5204LNG</b>	Baylast™ seals (no sight glass)	7"	Gasoline and diesel, up to E100 and B100 biofuels
<b>5204LSNG</b>	Baylast™ seals (no sight glass) with stainless spring	7"	Crude oil, gasoline and diesel, up to E20 and B100 biofuels
<b>5204L</b>	Baylast™ seals and sight glass	7"	Gasoline and diesel, up to E20 and B100 biofuels

See page 12 for TTMA flange gaskets. See pages 77 and 78 for bill of materials and repair kits.



Biofuel Compatible, see fuel compatibility chart on page 4 for more information.



5204



5204SFI



5204L

# Fuel Tanker Loading and Unloading

## API Dust Caps



5205



5000-24



5000-25



5000-24L

Part #	Description
<b>5205</b>	Aluminum API cap with flat buna gasket, with nylon quick release lever
<b>5000-24</b> <sup>1</sup>	Aluminum API cap with O-ring Baylast™ seal, with brass cam arms
<b>5000-25</b>	Nylon API cap with flat buna seal, with plated steel padlockable roller lever
<b>5000-24L</b> <sup>1</sup>	Aluminum API cap with O-ring Baylast™ seal, with brass locking cam arms

<sup>1</sup> FKM seal available

See pages 79 and 80 for repair parts.

## API Drop Adapters



4540



4540SG



4502



4540F



4504ASSM

Part #	Description	Fuel Compatibility
<b>4530</b>	API to 3" drop adapter, Baylast™ O-ring seal	Gasoline and diesel, up to E100 and B100 biofuels
<b>4530SG</b>	API to 3" drop adapter, Baylast™ flat gasket, in line sight glass	Gasoline and diesel, up to E100 and B100 biofuels
<b>4540</b>	API to 4" drop adapter, Baylast™ O-ring seal	Gasoline and diesel, up to E100 and B100 biofuels
<b>4540V</b>	API to 4" drop adapter, FKM O-ring seal	Gasoline and diesel, up to B100 bio diesel
<b>4540SG</b>	API to 4" drop adapter, Baylast™ flat gasket, one piece, inline sight glass	Gasoline and diesel, up to E100 and B100 biofuels
<b>4502</b>	API to 4" drop adapter, Buna-N seals, two piece design with sight glass	Gasoline and diesel, up to E100 and B100 biofuels
<b>4540SGV</b>	API to 4" drop adapter, FKM flat gasket, inline sight glass	Gasoline and diesel, up to B100 bio diesel
<b>4540F</b>	API to 4" drop coupler, Buna-N gasket	Gasoline and diesel, up to E100 and B100 biofuels
<b>4502ASSM</b>	API to 4" drop adapter, Baylast™ O-ring w/ sight glass, two piece design	Gasoline and diesel, up to E100 and B100 biofuels
<b>4504ASSM</b>	API to 4" drop coupler, Buna-N gasket w/ sight glass, two piece design	Gasoline and diesel, up to E100 and B100 biofuels

Visit [dixonvalve.com](http://dixonvalve.com) for replaceable seal part number 2143SEALBU

# Fuel Tanker Loading and Unloading

## Gravity Drop Adapters



31440-225AL



41440-225AL



40447ST

Part #	Description	Fuel Compatibility
<b>31440-225AL</b>	4" API to 3" drop adapter with Buna-N flat gasket	Gasoline and diesel, up to E100 and B100 biofuels
<b>41440-225AL</b>	4" API to 4" drop adapter with Buna-N flat gasket	Gasoline and diesel, up to E100 and B100 biofuels
<b>40447ST</b>	Heavy duty chain	Gasoline and diesel, up to E100 and B100 biofuels



## Gravity Drop Adapter Dust Caps



4540DC



4540DC-1200

Part #	Description
<b>4540DC</b>	4" nylon light weight cap
<b>4540DC-1200</b>	4" nylon light weight cap with chain

- not intended to be pressurized






# Fuel Tanker Loading and Unloading

## TTMA Flanged Sight Flow Indicators

**Features & Benefits:**

- Due to the proprietary blending of petroleum products, Dixon® recommends that the thermoplastic tubing and the gaskets be immersion tested in the product to be handled to ensure compatibility (not compatible with crude oil) 
- Durable cast aluminum housing replaces competitions all acrylic sight glass commonly found on tank trucks
- Allows for visual identification of the fuel grade prior to opening the valve
- Works with tank truck flanged butterfly valves found on gasoline trucks
- Low cost sight glass tube can be easily replaced
- Rated to **150 PSI**




5200-SFI shown mounted on petroleum tank



5200-SFI



5200-SPC

Part #	Description	Fuel Compatibility
<b>5200-SFI-3</b>	3" TTMA flange sight flow, 1¾" width, 3½" inside diameter	Gasoline and diesel, up to E100 and B100 biofuels
<b>5200C-SFI-3</b> <sup>1</sup>	3" TTMA flange sight flow, 1¾" width, 3½" inside diameter, stainless retain ring	Gasoline and diesel, up to E100 and B100 biofuels, crude oil
<b>5200-SFI</b>	4" TTMA flange sight flow, 1¾" width, 4¾" inside diameter	Gasoline and diesel, up to E100 and B100 biofuels
<b>5200C-SFI</b> <sup>1</sup>	4" TTMA flange sight flow, 1¾" width, 4¾" inside diameter, stainless retain ring	Gasoline and diesel, up to E100 and B100 biofuels, crude oil
<b>5200-SPC</b>	4" Aluminum TTMA pattern solid flanged spacer  (no sight glass)	All fuels

<sup>1</sup> Compatible with crude oil

Note: Maximum flange bolt torque is 200 in-lb (inch pounds) 

See page 83 for sight glass repair kits

# Fuel Tanker

Petroleum Products

## TTMA Flanged Sight Flow Indicators

**Features & Benefits:**

- Due to the proprietary blending of petroleum products, Dixon® recommends that the thermoplastic tubing and the gaskets be immersion tested in the product to be handled to ensure compatibility (not compatible with crude oil).
- Allows for visual identification of the fuel grade prior to opening the valve
- Works with tank truck flanged butterfly valves found on gasoline trucks
- Larger ID 4<sup>3⁄8</sup>" flow indicator allows tank truck flanged butterfly valves to connect to either end of the indicator
- Rated to **150 PSI**



5201-SFI

Part #	Description	Fuel Compatibility
<b>5201-SFI</b>	4" TTMA flange sight flow, 3 <sup>1</sup> / <sub>4</sub> " width, 4 <sup>3</sup> / <sub>8</sub> " inside diameter	Gasoline and diesel, up to E100 and B100 biofuels
<b>5201-SFI-3</b>	3" TTMA flange sight flow, 3 <sup>1</sup> / <sub>4</sub> " width, 3 <sup>1</sup> / <sub>2</sub> " inside diameter	Gasoline and diesel, up to E100 and B100 biofuels

Note: Maximum flange bolt torque is 200 in-lb (inch pounds)



Part #	Description	Fuel Compatibility
<b>5201CA</b>	4" hose inline sight glass with 4" cam & groove adapter x coupler	Gasoline and diesel, up to E100 and B100 biofuels
<b>5201CA-3</b>	3" sight flow indicator 3" coupler x 3" adapter	Gasoline and diesel, up to E100 and B100 biofuels
<b>5201CC</b>	sight flow indicator 4" coupler x 4" coupler	Gasoline and diesel, up to E100 and B100 biofuels

See page 83 for sight glass repair kits

## Product Indicator

**Features & Benefits:**

- weight: 1.5 lbs
- dimensions: 8" x 3" x 2.5" (L x W x H)
- capable of displaying 8 user selectable product identification labels
- can be mounted in typical locations near API with standard bolt hole pattern
- customizable label sheets are available by request

**Material:**

- polished cast aluminum



Part #	Description
<b>DBPI080</b>	petroleum product indicator (includes empty, ethanol, diesel, U.L.S.D., reg unleaded, plus unleaded, premium unleaded, jet fuel)
<b>40483VY</b>	product indicator label options: red dye diesel, #2 fuel oil, vapors, kerosene, diesel L.S., diesel H.S., supreme unleaded, AV gas, clear diesel, bio diesel, E-85

# Fuel Tanker

## TTMA Flanges



TTF4AL-4MT



TTF4AL-4EMT



TTF4AL-4FT



TTF4AL



TTF400SP

Part #	Description	Fuel Compatibility
<b>TTF3AL-3MT</b>	3" TTMA flange x 3" male NPT, 2½" overall length	Gasoline and diesel, up to E100 and B100 biofuels
<b>TTF4AL-3MT</b>	4" TTMA flange x 3" male NPT, 2½" overall length	Gasoline and diesel, up to E100 and B100 biofuels
<b>TTF4ALHC-3MT</b>	4" TTMA flange x 3" male NPT, 2½" overall length, hardcoated	Gasoline and diesel, up to E100 and B100 biofuels
<b>TTF4AL-3EMT</b>	4" TTMA flange x 3" male NPT, 5½" overall length	Gasoline and diesel, up to E100 and B100 biofuels
<b>TTF4AL-3FT</b>	4" TTMA flange x 3" female NPT, 2½" overall length	Gasoline and diesel, up to E100 and B100 biofuels
<b>TTF4AL-4MT</b>	4" TTMA flange x 4" male NPT, 2½" overall length	Gasoline and diesel, up to E100 and B100 biofuels
<b>TTF4ALHC-4MT</b>	4" TTMA flange x 4" male NPT, 2½" overall length, hardcoated	Gasoline and diesel, up to E100 and B100 biofuels
<b>TTF4AL-4EMT</b>	4" TTMA flange x 4" male NPT, 5½" overall length	Gasoline and diesel, up to E100 and B100 biofuels
<b>TTF4AL-4FT</b>	4" TTMA flange x 4" female NPT, 2½" overall length	Gasoline and diesel, up to E100 and B100 biofuels
<b>TTF3AL</b>	3" TTMA butt weld on flange	Gasoline and diesel, up to E100 and B100 biofuels
<b>TTF4AL</b>	4" TTMA butt weld on flange	Gasoline and diesel, up to E100 and B100 biofuels
<b>TTF400SP</b>	4" TTMA socket weld on flange	Gasoline and diesel, up to E100 and B100 biofuels

See page 11 for TTMA flange gaskets

## Cam and Groove x TTMA Flange



400-ALT-AL



4022ALTAL



400-DLT-AL



4022DLTAL

Part #	Description	Fuel Compatibility
<b>300-ALT-AL</b>	3" cam and groove adapter (straight) x 3" TTMA flange	Gasoline and diesel, up to E100 and B100 biofuels
<b>3040ALTAL</b>	3" cam and groove adapter (straight) x 4" TTMA flange	Gasoline and diesel, up to E100 and B100 biofuels
<b>400-ALT-AL</b>	4" cam and groove adapter (straight) x 4" TTMA flange	Gasoline and diesel, up to E100 and B100 biofuels
<b>40022ALTAL</b>	4" cam and groove adapter (22½°) x 4" TTMA flange	Gasoline and diesel, up to E100 and B100 biofuels
<b>600-ALT-AL</b>	6" cam and groove adapter (straight) x 6" TTMA flange	Gasoline and diesel, up to E100 and B100 biofuels
<b>300-DLT-AL</b>	3" cam and groove coupler (straight) x 3" TTMA flange	Gasoline and diesel, up to E85 and B20 biofuels
<b>3040DLTAL</b>	4" cam and groove coupler (straight) x 3" TTMA flange	Gasoline and diesel, up to E85 and B20 biofuels
<b>400-DLT-AL</b>	4" cam and groove coupler (straight) x 4" TTMA flange	Gasoline and diesel, up to E85 and B20 biofuels
<b>40022DLTAL</b>	4" cam and groove coupler (22½°) x 4" TTMA flange	Gasoline and diesel, up to E85 and B20 biofuels
<b>600-DLT-AL</b>	6" cam and groove coupler (straight) x 6" TTMA flange	Gasoline and diesel, up to E85 and B20 biofuels

See page 11 for TTMA flange gaskets

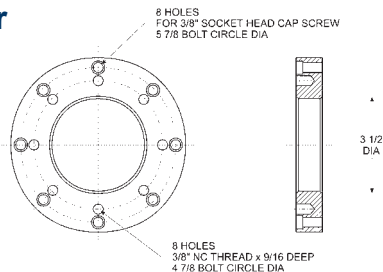


# Fuel Tanker

## TTMA Flange Reducer



4443

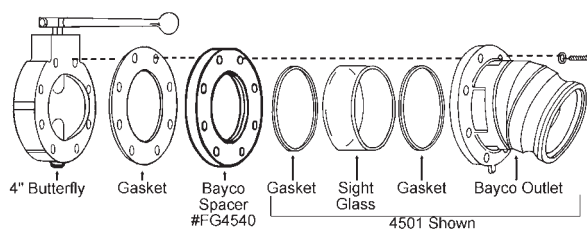


Part #	Description	Fuel Compatibility
<b>4443</b>	4" TTMA x 3" TTMA reducer flange	Gasoline and diesel, up to E100 and B100 biofuels

## TTMA Butterfly Valve Spacer



FG4540



Part #	Description	Fuel Compatibility
<b>FG4540</b>	4" TTMA flange spacer	Gasoline and diesel, up to E100 and B100 biofuels

## API and TTMA Flange Gaskets



Part #	Size	Description	OD	ID	Thickness	Bolt Circle	Fuel Compatibility
<b>300GTTFCB</b>	3"	TTMA - Cork/Buna	5-5/8"	3 1/2"	1/8"	4-7/8"	Gasoline and diesel, up to E10 and B2 biofuels
<b>300GTTFBL</b>	3"	TTMA - Baylast™	5-5/8"	3-5/8"	1/8"	4-7/8"	Gasoline and diesel, up to E10 and B2 biofuels
<b>300GTTFK</b>	3"	TTMA Klinger nylon	5-5/8"	3 1/2"	1/8"	4-7/8"	Gasoline and diesel, up to E10 and B2 biofuels
<b>40321TF</b>	3"	TTMA - PTFE with soft fiber core	5-29/32"	3 1/2"	3/32"	4-7/8"	Gasoline and diesel, up to E100 and B100 biofuels
<b>40364TF</b>	3"	API Sump - PTFE with soft fiber core	7 1/4"	5"	5/32"	6 1/4"	Gasoline and diesel, up to E100 and B100 biofuels
<b>40364BL</b>	3"	API Sump - Baylast™	7 1/4"	5"	1/8"	6 1/4"	Gasoline and diesel, up to E10 and B2 biofuels
<b>400GTTFCB</b>	4"	TTMA - Cork/Buna	6-5/8"	4-9/16"	1/8"	5-7/8"	Gasoline and diesel, up to E10 and B2 biofuels
<b>400GTTFBL</b>	4"	TTMA - Baylast™	6-5/8"	4-5/8"	1/8"	5-7/8"	Gasoline and diesel, up to E10 and B2 biofuels
<b>400GTTFK</b>	4"	TTMA Klinger nylon	6-5/8"	4-9/16"	1/8"	5-7/8"	Gasoline and diesel, up to E100 and B100 biofuels
<b>40322TF</b>	4"	TTMA - PTFE with soft fiber core	6-7/8"	4-5/8"	3/32"	5-7/8"	Gasoline and diesel, up to E100 and B100 biofuels
<b>40323TF</b>	4"	API Sump - PTFE with soft fiber core	8-3/8"	5-7/8"	5/32"	7 1/4"	Gasoline and diesel, up to E100 and B100 biofuels
<b>40323BL</b>	4"	API Sump - Baylast™	8 1/4"	6 5/8"	1/8"	7 1/4"	Gasoline and diesel, up to E10 and B2 biofuels
<b>40417BL</b>	4"	API Sump - Baylast™ <b>NEW</b>	9 5/8"	7.165	9/64"	8-17/64"	Gasoline and diesel, up to E10 and B2 biofuels

# Fuel Delivery

## 6200 and 6500 Series- Fuel Delivery Elbows

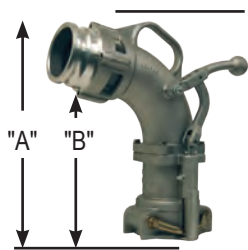
**Features & Benefits:**

**6200 Series:**

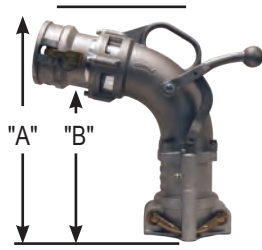
- Available in standard or tall heights to accommodate deep fill boxes
- Rugged modular cast aluminum construction
- Most parts are common throughout the Bayco elbow line, making any necessary maintenance a breeze.
- Grease nipple enables the greasing of the lever stem, and acetal bushings help keep everything moving smoothly, even in the harshest of conditions.
- Bolt on inlets allow the inlet to be changed without having to worry about galling of threaded inlets.
- Ball handle lever enables the operator to easily and positively engage the solid bronze locking arms, onto the underground adapter.
- Biofuel compatible up to E100 (100% Ethanol) and B20 (20% Bio Diesel). For detailed fuel compatibility, please refer to the chart shown on page 4.

**6500 Series: Features all of the benefits of the 6200 series plus-**

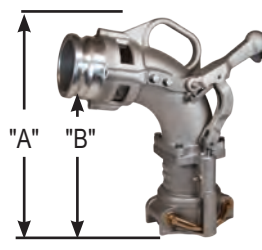
- Heavy duty bolt on arm attachment plate increases the strength of the lever pivot. There are no impact susceptible pivot bolts, or casting bosses to break.
- Arm hinge points use a double yoke design, which increases the arm strength.
- Built in heavy duty, locking mechanism prevents accidental elbow disconnections while the elbow is in service. No need for the operator to engage the locking mechanism, just move the handle to the closed position and the lock automatically engages. Releasing the lock is equally as easy, just gripping the handle and lifting. The locking mechanism has lots of free clearance so will not be affected by dirt, ice or snow. (Elbow disconnections can occur on other elbow designs, from either operators bumping the release mechanism, or from a hydraulic surge when the underground storage tank overfill valve slams shut.)
- Ergonomic handle can be mounted on either side of the elbow.



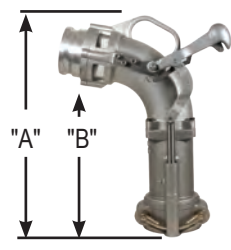
6200A



6200D



6500A



6500XA

Part #	Description	"A"	"B"	Fuel Compatibility
<b>6200</b>	Standard height elbow only, without inlet connection	17 <sup>3</sup> / <sub>4</sub> "	10 <sup>7</sup> / <sub>8</sub> "	Gasoline and diesel, up to E100 & B20 biofuels
<b>6200C</b>	Standard height elbow with 3" adapter inlet	17 <sup>3</sup> / <sub>4</sub> "	10 <sup>7</sup> / <sub>8</sub> "	Gasoline and diesel, up to E100 & B20 biofuels
<b>6200A</b>	Standard height elbow with 4" adapter inlet	17 <sup>3</sup> / <sub>4</sub> "	10 <sup>7</sup> / <sub>8</sub> "	Gasoline and diesel, up to E100 & B20 biofuels
<b>6200B</b>	Standard height elbow with 3" coupler inlet	17 <sup>3</sup> / <sub>4</sub> "	10 <sup>7</sup> / <sub>8</sub> "	Gasoline and diesel, up to E100 & B20 biofuels
<b>6200D</b>	Standard height elbow with 4" coupler inlet	17 <sup>3</sup> / <sub>4</sub> "	10 <sup>7</sup> / <sub>8</sub> "	Gasoline and diesel, up to E100 & B20 biofuels
<b>6200T</b>	Elbow with anti-spill sleeve without inlet connection	17 <sup>3</sup> / <sub>4</sub> "	10 <sup>7</sup> / <sub>8</sub> "	Gasoline and diesel, up to E100 & B20 biofuels
<b>6200AT</b>	Elbow with 4" adapter inlet and anti-spill sleeve	17 <sup>3</sup> / <sub>4</sub> "	10 <sup>7</sup> / <sub>8</sub> "	Gasoline and diesel, up to E100 & B20 biofuels
<b>6200X</b>	Tall height elbow only, without inlet connection	21"	13 <sup>3</sup> / <sub>4</sub> "	Gasoline and diesel, up to E100 & B20 biofuels
<b>6200XC</b>	Tall height elbow with 3" adapter inlet	21"	13 <sup>3</sup> / <sub>4</sub> "	Gasoline and diesel, up to E100 & B20 biofuels
<b>6200XA</b>	Tall height elbow with 4" adapter inlet	21"	13 <sup>3</sup> / <sub>4</sub> "	Gasoline and diesel, up to E100 & B20 biofuels
<b>6200XB</b>	Tall height elbow with 3" coupler inlet	21"	13 <sup>3</sup> / <sub>4</sub> "	Gasoline and diesel, up to E100 & B20 biofuels
<b>6200XD</b>	Tall height elbow with 4" coupler inlet	21"	13 <sup>3</sup> / <sub>4</sub> "	Gasoline and diesel, up to E100 & B20 biofuels
<b>6200XT</b>	Tall elbow with anti-spill sleeve without inlet connection	21"	13 <sup>3</sup> / <sub>4</sub> "	Gasoline and diesel, up to E100 & B20 biofuels
<b>6200XAT</b>	Tall elbow with 4" adapter inlet and anti-spill sleeve	21"	13 <sup>3</sup> / <sub>4</sub> "	Gasoline and diesel, up to E100 & B20 biofuels
<b>6500</b>	Standard height full feature elbow only, without inlet connection	17 <sup>3</sup> / <sub>4</sub> "	10 <sup>7</sup> / <sub>8</sub> "	Gasoline and diesel, up to E100 & B20 biofuels
<b>6500C</b>	Standard height full feature elbow with 3" adapter inlet	17 <sup>3</sup> / <sub>4</sub> "	10 <sup>7</sup> / <sub>8</sub> "	Gasoline and diesel, up to E100 & B20 biofuels
<b>6500A</b>	Standard height full feature elbow with 4" adapter inlet	17 <sup>3</sup> / <sub>4</sub> "	10 <sup>7</sup> / <sub>8</sub> "	Gasoline and diesel, up to E100 & B20 biofuels
<b>6500B</b>	Standard height full feature elbow with 3" coupler inlet	17 <sup>3</sup> / <sub>4</sub> "	10 <sup>7</sup> / <sub>8</sub> "	Gasoline and diesel, up to E100 & B20 biofuels
<b>6500D</b>	Standard height full feature elbow with 4" coupler inlet	17 <sup>3</sup> / <sub>4</sub> "	10 <sup>7</sup> / <sub>8</sub> "	Gasoline and diesel, up to E100 & B20 biofuels
<b>6500T</b>	Elbow with locking handle and anti-spill sleeve without inlet connection	17 <sup>3</sup> / <sub>4</sub> "	10 <sup>7</sup> / <sub>8</sub> "	Gasoline and diesel, up to E100 & B20 biofuels
<b>6500AT</b>	Elbow with locking handle, 4" adapter inlet and anti-spill sleeve	17 <sup>3</sup> / <sub>4</sub> "	10 <sup>7</sup> / <sub>8</sub> "	Gasoline and diesel, up to E100 & B20 biofuels
<b>6500X</b>	Tall height full feature elbow only, without inlet connection	21"	13 <sup>3</sup> / <sub>4</sub> "	Gasoline and diesel, up to E100 & B20 biofuels
<b>6500XC</b>	Tall height full feature elbow with 3" adapter inlet	21"	13 <sup>3</sup> / <sub>4</sub> "	Gasoline and diesel, up to E100 & B20 biofuels
<b>6500XA</b>	Tall height full feature elbow with 4" adapter inlet	21"	13 <sup>3</sup> / <sub>4</sub> "	Gasoline and diesel, up to E100 & B20 biofuels
<b>6500XB</b>	Tall height full feature elbow with 3" coupler inlet	21"	13 <sup>3</sup> / <sub>4</sub> "	Gasoline and diesel, up to E100 & B20 biofuels
<b>6500XD</b>	Tall height full feature elbow with 4" coupler inlet	21"	13 <sup>3</sup> / <sub>4</sub> "	Gasoline and diesel, up to E100 & B20 biofuels
<b>6500XT</b>	Tall height full feat. elbow with locking handle, no inlet, with anti-spill sleeve	21"	13 <sup>3</sup> / <sub>4</sub> "	Gasoline and diesel, up to E100 & B20 biofuels
<b>6500XAT</b>	Tall elbow with locking handle, 4" adapter inlet and anti-spill sleeve	21"	13 <sup>3</sup> / <sub>4</sub> "	Gasoline and diesel, up to E100 & B20 biofuels



See page 85 and 86 for repair kits and replacement parts.  
Product instruction sheets and technical data can be viewed on our website at [dixonvalve.com](http://dixonvalve.com)

# Fuel Delivery

## Fuel Delivery Connectors

### Straight Drop Fuel Delivery Connectors



6304NPT

Part #	Description	Overall Height	Fuel Compatibility
<b>6303</b>	Straight connector with 3" adapter inlet	17-5/8"	Gasoline and diesel, up to E100 and B20 biofuels
<b>6304</b>	Straight connector with 4" adapter inlet	16-3/16"	Gasoline and diesel, up to E100 and B20 biofuels
<b>6303NPT</b>	Straight connector with 3" male NPT inlet	19-3/4"	Gasoline and diesel, up to E100 and B20 biofuels
<b>6304NPT</b>	Straight connector with 4" male NPT inlet	19-3/16"	Gasoline and diesel, up to E100 and B20 biofuels

See page 86 for repair kits and replacement parts.

### Fuel Delivery Elbow Inlets and Anti-Spill Tubes



6000-14



6000-17



6000-20



6200-17

Part #	Description	Fuel Compatibility
<b>6000-16</b>	3" adapter inlet	Gasoline and diesel, up to E100 and B20 biofuels
<b>6000-17</b>	4" adapter inlet	Gasoline and diesel, up to E100 and B20 biofuels
<b>6000-15</b>	3" coupler inlet	Gasoline and diesel, up to E100 and B20 biofuels
<b>6000-14</b>	4" coupler inlet	Gasoline and diesel, up to E100 and B20 biofuels
<b>6000-20</b>	4" female NPT inlet	Gasoline and diesel, up to E100 and B20 biofuels
<b>6000F</b>	Inline screen for drop elbows	Gasoline and diesel, up to E100 and B20 biofuels
<b>6200-17</b>	Anti-spill tube for 6200 and 6500	Gasoline and diesel, up to E100 and B20 biofuels
<b>6200X-17</b>	Tall anti-spill tube for 6200 and 6500	Gasoline and diesel, up to E100 and B20 biofuels

These inlets are for 6000, 6200 and 6500 series fuel delivery elbows only, for the 6400, series coaxial elbow inlets, refer to the inlets shown on page 16.

### Side Seal Fuel Delivery Elbows



6000ASC

Part #	Description	Fuel Compatibility
<b>6000AS</b>	Side seal elbow without inlet connection	Gasoline and diesel, up to E100 & B20 biofuels
<b>6000ASC</b>	Side seal elbow with 3" adapter inlet	Gasoline and diesel, up to E100 & B20 biofuels
<b>6000ASA</b>	Side seal elbow with 4" adapter inlet	Gasoline and diesel, up to E100 & B20 biofuels
<b>6000ASB</b>	Side seal elbow with 3" coupler inlet	Gasoline and diesel, up to E100 & B20 biofuels
<b>6000ASD</b>	Side seal elbow with 4" coupler inlet	Gasoline and diesel, up to E100 & B20 biofuels
<b>6000AST</b>	Side seal elbow without inlet connection, with anti-spill sleeve.	Gasoline and diesel, up to E100 & B20 biofuels
<b>6000ASAT</b>	Side seal elbow with 4" adapter inlet, with anti-spill sleeve.	Gasoline and diesel, up to E100 & B20 biofuels
<b>6000ASAL</b>	Side seal elbow with 4" adapter inlet, with locking ring.	Gasoline and diesel, up to E100 & B20 biofuels
<b>6000ASR</b>	Optional add on locking ring. Prevents levers from moving.	Gasoline and diesel, up to E100 & B20 biofuels

See page 88 for repair kits and replacement parts.



# Fuel Delivery

## Side Seal to Top Seal Adapter

Part #	Description	Fuel Compatibility
<b>6000-SSA</b>	Top seal to side seal connection adapter	Gasoline and diesel, up to E100 and B20 biofuels

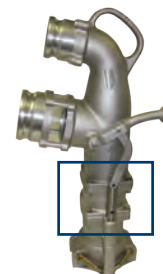


6000SSA

## Elbow Height Extensions



6000EXT



spacer kits shown assembled to elbows

Part #	Description	Fuel Compatibility
<b>6000EXT</b>	3" height extension kit for 6200, 6500, VR6000 and VR6500 elbows. Kit includes: body and stem extensions, 4 stainless steel nuts and bolts, and stem pin.	Gasoline and diesel, up to E100 and B20 biofuels
<b>6400EXT</b>	3" height extension kit for 6400 co-axial elbows. Kit includes: body and stem extensions, 4 stainless steel nuts and bolts, stem pin and replacement vapor tube.	Gasoline and diesel, up to E100 and B20 biofuels

## Tank Cabinet "Dummy" Weld-on Adapters

Part #	Description
<b>AL4051-BORE</b>	4" fuel delivery - cabinet weld-on adapter blank
<b>400AWSPAL</b>	4" vapor recovery - cabinet weld-on adapter blank



AL4051-BORE



400AWSPAL

## Coaxial Elbow-Replacement Fuel Inlets and Vapor Outlets



6000-17C



6000-26C



6000-14C

Part #	Description	Fuel Compatibility
<b>6000-16C</b>	3" adapter fuel inlet	Gasoline and diesel, up to E100 and B20 biofuels
<b>6000-17C</b>	4" adapter fuel inlet	Gasoline and diesel, up to E100 and B20 biofuels
<b>6000-15C</b>	3" coupler fuel inlet	Gasoline and diesel, up to E100 and B20 biofuels
<b>6000-14C</b>	4" coupler fuel inlet	Gasoline and diesel, up to E100 and B20 biofuels
<b>6400-4</b>	3" adapter vapor outlet	Gasoline and diesel, up to E100 and B20 biofuels
<b>6000-26C</b>	3" male NPT vapor outlet	Gasoline and diesel, up to E100 and B20 biofuels

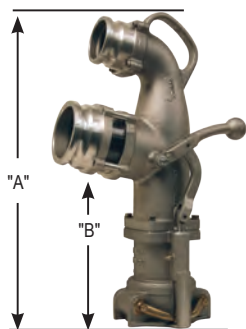
These inlets are for 6400 series coaxial elbows only, for 6000, 6200 and 6500 series delivery elbows, refer to the inlets shown on page 13.

# Fuel Delivery / Vapor Recovery

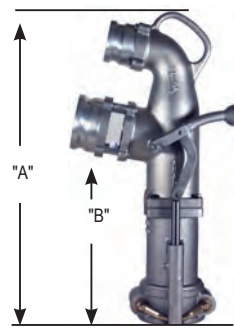
## Single Point Coaxial - Fuel Delivery / Vapor Recovery Elbows

**Features & Benefits:**

- Available in standard or tall heights to accommodate deep fill boxes
- Rugged modular cast aluminum construction
- Many parts are common throughout the Bayco elbow line, making any necessary maintenance a breeze.
- Grease nipple enables the greasing of the lever stem, and acetal bushings help keep everything moving smoothly, even in the harshest of conditions.
- Bolt on inlets allow the inlet to be changed without having to worry about galling of threaded inlets. See below for replacement inlets (Note: Coaxial inlets are not interchangeable with other Bayco elbow inlets.)
- Ball handle lever enables the operator to easily and positively engage the solid bronze locking arms, onto the underground adapter.
- Top connection is the vapor outlet; lower connection is the fuel delivery inlet.
- Biofuel compatible up to E100 (100% Ethanol) and B20 (20% bio diesel). For detailed fuel compatibility, please refer to the chart shown on page 4.



6400



6400X

Part #	Description	"A" Overall Height	"B" Ground Clearance	Fuel Compatibility
<b>6430</b>	Standard height elbow with 3" adapter fuel inlet, 3" adapter vapor outlet	23 <sup>3</sup> / <sub>4</sub> "	11 <sup>3</sup> / <sub>4</sub> "	Gasoline and diesel, up to E100 and B20 biofuels
<b>6430F</b>	Standard height elbow with 3" coupler fuel inlet, 3" adapter vapor outlet	23 <sup>3</sup> / <sub>4</sub> "	11 <sup>3</sup> / <sub>4</sub> "	Gasoline and diesel, up to E100 and B20 biofuels
<b>6400</b>	Standard height elbow with 4" adapter fuel inlet, 3" adapter vapor outlet	23 <sup>3</sup> / <sub>4</sub> "	11 <sup>3</sup> / <sub>4</sub> "	Gasoline and diesel, up to E100 and B20 biofuels
<b>6400F</b>	Standard height elbow with 4" coupler fuel inlet, 3" adapter vapor outlet	23 <sup>3</sup> / <sub>4</sub> "	11 <sup>3</sup> / <sub>4</sub> "	Gasoline and diesel, up to E100 and B20 biofuels
<b>6400FNPT</b>	Standard height elbow with 4" coupler fuel inlet, 3" male NPT vapor outlet	23 <sup>3</sup> / <sub>4</sub> "	11 <sup>3</sup> / <sub>4</sub> "	Gasoline and diesel, up to E100 and B20 biofuels
<b>6430X</b>	Tall height elbow with 3" adapter fuel inlet, 3" adapter vapor outlet	26 <sup>3</sup> / <sub>4</sub> "	14 <sup>3</sup> / <sub>4</sub> "	Gasoline and diesel, up to E100 and B20 biofuels
<b>6430XF</b>	Tall height elbow with 3" coupler fuel inlet, 3" adapter vapor outlet	26 <sup>3</sup> / <sub>4</sub> "	14 <sup>3</sup> / <sub>4</sub> "	Gasoline and diesel, up to E100 and B20 biofuels
<b>6400X</b>	Tall height elbow with 4" adapter fuel inlet, 3" adapter vapor outlet	26 <sup>3</sup> / <sub>4</sub> "	14 <sup>3</sup> / <sub>4</sub> "	Gasoline and diesel, up to E100 and B20 biofuels
<b>6400XF</b>	Tall height elbow with 4" coupler fuel inlet, 3" adapter vapor outlet	26 <sup>3</sup> / <sub>4</sub> "	14 <sup>3</sup> / <sub>4</sub> "	Gasoline and diesel, up to E100 and B20 biofuels
<b>6400XFNPT</b>	Tall height elbow with 4" coupler fuel inlet, 3" male NPT vapor outlet	26 <sup>3</sup> / <sub>4</sub> "	14 <sup>3</sup> / <sub>4</sub> "	Gasoline and diesel, up to E100 and B20 biofuels

Elbow options are shown on page 15, see page 87 for repair kits and replacement parts.

Biofuel Compatible, see fuel compatibility chart on page 4 for more information.



# Fuel Delivery / Vapor Recovery

## Fuel Station, In-Ground Tank Adapters and Caps

<b>Application:</b>	When fuel is delivered to the fuel station, the fuel delivery and vapor recovery elbows, are connected to the in-ground tank adapters. There are two types that do not interchange, 1) is for fuel delivery using either standard or Coaxial delivery elbows. 2) is for the vapor recovery elbows. The delivery adapter is threaded onto the in-ground tank fuel inlet, and the vapor adapter is threaded to the in-ground tank vapor outlet connection. To prevent contamination and fuel evaporation, the tank adapters are capped with T handle caps when not in use.
<b>Standards:</b>	Manufactured with 4" pipe threads to connect to in-ground fuel station tanks, and then provide an interface to connect the top seal fuel drop or vapor recovery elbows.
<b>Materials:</b>	Adapters are either produced from bronze * or Bayloy™ *. Caps are produced in aluminum *, bronze * or nylon *, Buna seals
<b>Features &amp; Benefits:</b>	<p><b>Delivery Adapters (top seal):</b></p> <ul style="list-style-type: none"> <li>• Available with 4" NPS or 4" NPT threads, with 3½" or 2-¾" heights</li> <li>• Rugged bronze or Bayloy™ cast construction.</li> </ul> <p><b>Delivery Adapter Caps</b></p> <ul style="list-style-type: none"> <li>• Designed to fit fuel delivery adapters only</li> <li>• Rugged durable construction aluminum or bronze bodies, with bronze push-pull T handle</li> <li>• Protect the delivery adapter, and prevent fuel contamination evaporation and tampering</li> <li>• Pad lockable</li> </ul> <p><b>Vapor Adapters</b></p> <ul style="list-style-type: none"> <li>• Rugged bronze or Bayloy™ cast construction</li> <li>• With outlet poppet valves to prevent fuel vapors from escaping. Poppet opens when vapor elbow is connected</li> <li>• Can be used as vapor valve on a fuel tanker (does not have mount for air interlock)</li> </ul> <p><b>Vapor Adapter Caps</b></p> <ul style="list-style-type: none"> <li>• Designed to fit fuel vapor adapters and truck mounted vapor valves</li> <li>• Colored orange to signify vapor connection.</li> <li>• Durable and light weight construction aluminum or nylon bodies, with push-pull T handle</li> <li>• Protect the vapor adapter, and prevent fuel contamination and tampering.</li> <li>• Pad lockable</li> </ul> <p>Biofuel compatible, up to E100 (100% Ethanol) and B20 (20% Bio Diesel). For detailed fuel compatibility, please refer to the chart shown on page 4.</p>

\* Dependent upon part #, see part number list below for more details

### Fuel Delivery



BZ4051



BZ4051S



BSS4051



SA4050AL

Part #	Description
<b>BSS4051</b>	Bronze fuel delivery tank adapter, 4" female NPT, 1-21/32" height, side seal
<b>BZ4051</b>	Bronze fuel delivery tank adapter, 4" female NPT, 3-1/2" height, top seal
<b>BY4051</b>	Bayloy™ fuel delivery tank adapter, 4" female NPT, 3-1/2" height, top seal
<b>BZ4051S</b>	Bronze fuel delivery tank adapter, 4" female NPS, 2-3/8" height, top seal
<b>SA4050AL</b>	Aluminum fuel delivery adapter cap, bronze push-pull T handle, Buna gasket
<b>SA4050BZ</b>	Bronze fuel delivery adapter cap, bronze push-pull T handle, Buna gasket
<b>TL4070BZ</b>	Bronze fuel delivery adapter cap, bronze twin lever handle

### Vapor Recovery



VR4086



VR4050AL



VR4050PL

Part #	Description
<b>VR4086</b>	Bronze vapor recovery tank adapter, 4" FNPT, 3½" height, with vapor poppet
<b>VR4086-BY</b>	Bayloy™ vapor recovery tank adapter, 4" FNPT, 3½" height, with vapor poppet
<b>VR4050AL</b>	Aluminum vapor recovery cap, colored vapor orange, push-pull T handle, buna gasket
<b>VR4050PL</b>	Nylon vapor recovery cap, colored vapor orange, push-pull T handle, Buna gasket
<b>VR4050ALC</b>	Aluminum vapor recovery cap, colored vapor orange, push-pull T handle, Buna gasket, with chain
<b>VR4050PL-1200</b>	Nylon vapor recovery cap, colored vapor orange, push-pull T handle, Buna gasket, with chain

See page 93 for repair kits and replacement parts.

Product instruction sheets and technical data can be viewed on our website at



dixonvalve.com

Biofuel Vapor Compatible.

# Fuel Delivery / Vapor Recovery

## Dual Point - Vapor Recovery Elbows

<b>Application:</b>	In many areas fuel stations are equipped with dual point tank connections, one connection is for the fuel delivery, and the other connection is for the vapor recovery connection. The vapor elbow bottom connection is connected to the fuel station on a ground tank vapor adapter and the top connection to the vapor hose, which returns the fuel vapors back to the tanker.
<b>Standards:</b>	Manufactured to connect to in ground fuel station vapor adapters and cam and groove vapor hose connections.
<b>Materials:</b>	Aluminum body and handle, bronze locking arms *, stainless steel hardware, Baylast™ and Buna seals, and acetal bushings.
<b>Features &amp; Benefits:</b>	<ul style="list-style-type: none"> <li>• Rugged modular cast aluminum construction</li> <li>• Many parts are common throughout the Bayco elbow line, making any necessary maintenance a breeze</li> <li>• Grease nipple enables the greasing of the lever stem, and acetal bushings help keep everything moving smoothly, even in the harshest of conditions.</li> <li>• Inlet probes are standard, and are available with or without outlet poppet valves</li> <li>• Bolt on outlets allow the outlet to be changed without having to worry about galling of threads. See below for replacement outlets.</li> <li>• VR6100 Series features a simple to connect push on style connection</li> <li>• VR6200 and VR6500 series features an ergonomic ball handle lever, which on the 6500 series can be mounted either on the left or right side.</li> <li>• VR6500 series features heavy duty bolt on arm attachment plate increases the strength of the lever pivot. There are no impact susceptible pivot bolts, or casting bosses to break.</li> <li>• VR6500 series features, arm hinge points use a double yoke design which increases the arm strength</li> <li>• Biofuel vapor compatible, up to E85 (85% Ethanol) and B20 (20% bio diesel). For detailed fuel compatibility, please refer to the chart shown on page 4.</li> </ul>

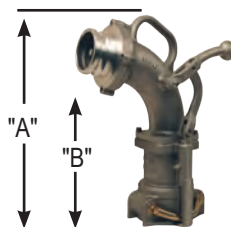
\* Dependent upon part #, see part number list below for more details



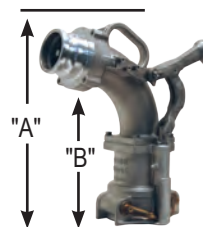
VR6000NP



VR6100



VR6200



VR6500

Part #	Description	Outlet Poppet Valve	"A" Overall Height	"B" Ground Clearance	Vapor Compatibility
<b>VR6000NP</b>	D-handle, 3" adapter outlet	No	17¼"	10¾"	Gasoline and diesel, up to E85 & B20 biofuels
<b>VR6100NP</b>	Push-on style, 3" adapter outlet	No	18¾"	12½"	Gasoline and diesel, up to E85 & B20 biofuels
<b>VR6200NPBU</b>	Ball lever handle, without adapter outlet	No	17¼"	10¾"	Gasoline and diesel, up to E85 & B20 biofuels
<b>VR6200</b>	Ball lever handle, 3" adapter outlet	Yes	17¼"	10¾"	Gasoline and diesel, up to E85 & B20 biofuels
<b>VR6200NP</b>	Ball lever handle, 3" adapter outlet	No	17¼"	10¾"	Gasoline and diesel, up to E85 & B20 biofuels
<b>VR6200PNP</b>	Ball lever handle, 3" adapter outlet with height extension, see page 13 for more info.	No	20¼"	13¾"	Gasoline and diesel, up to E85 & B20 biofuels
<b>VR6200ANP</b>	Ball lever handle, 4" adapter outlet	No	17¼"	10¾"	Gasoline and diesel, up to E85 & B20 biofuels
<b>VR6200NPB</b>	Ball lever handle, 3" coupler outlet	No	17¼"	10¾"	Gasoline and diesel, up to E85 & B20 biofuels
<b>VR6200NPBP</b>	Ball lever handle, 3" coupler outlet with height extension, see page 13 for more info	No	20¼"	13¾"	Gasoline and diesel, up to E85 & B20 biofuels
<b>VR6200NPDP</b>	Ball lever handle, 4" coupler outlet with height extension, see page 13 for more info	No	20¼"	13¾"	Gasoline and diesel, up to E85 & B20 biofuels
<b>VR6500</b>	Heavy duty ball lever handle, 3" adapter outlet	Yes	17¼"	11¼"	Gasoline and diesel, up to E85 & B20 biofuels
<b>VR6500NP</b>	Heavy duty ball lever handle, 3" adapter outlet	No	17¼"	11¼"	Gasoline and diesel, up to E85 & B20 biofuels
<b>VR6500LPNP</b>	Heavy duty ball lever locking handle, 3" adapter outlet	No	20¼"	13¾"	Gasoline and diesel, up to E85 & B20 biofuels
<b>VR6000-6</b>	Replacement 3" adapter outlet, for elbows with or without poppets	-	-	-	Gasoline and diesel, up to E100 & B20 biofuels
<b>6000-17</b>	Replacement 4" adapter outlet, for elbows without poppets. Requires liquid sealant to seal to elbow body.	-	-	-	Gasoline and diesel, up to E100 & B20 biofuels
<b>6000-15</b>	Replacement 3" coupler outlet, for elbows without poppets. Requires liquid sealant to seal to elbow body.	-	-	-	Gasoline and diesel, up to E100 & B20 biofuels
<b>6000-14</b>	Replacement 4" coupler outlet, for elbows without poppets. Requires liquid sealant to seal to elbow body.	-	-	-	Gasoline and diesel, up to E100 & B20 biofuels


Biofuel Compatible, see fuel compatibility chart on page 4 for more information.





# Fuel Vapor Recovery

## Vapor Return Valves

<b>Standards:</b>	Manufactured to connect to vapor hose couplings
<b>Materials:</b>	Aluminum body and buna seals, nylon * or acrylic * sight glass if equipped
<b>Features &amp; Benefits:</b>	<ul style="list-style-type: none"> <li>• Rugged cast aluminum construction</li> <li>• Variety of tank connections to suit any application, including 4" TTMA flange, 3" and 4" Female NPT and 4" female NPS</li> <li>• Air interlock mounting pad. (VR4000 requires 5000AIV, other models can use the 5000AI, 5000AIS or 5000AIST interlock valves)</li> <li>• VR4000 is a bulb design which allows for maximum vapor flow, also features 2 large acrylic sight glasses and a drain plug.</li> <li>• Available with or without poppets. Poppeted versions prevent vapor from escaping from the tanker.</li> <li>• Easy seal replacement while still on the tanker</li> <li>• Biofuel vapor compatible, up to E100 (100% Ethanol) and B20 (20% bio diesel). For detailed fuel compatibility, please refer to the chart shown on page 4. </li> </ul>

\* Dependent upon part #, see part number list below for more details



VR4000



VR3100



VR4100



VR4100F



VR4100F-SFI

Part #	Adapter Size	Tanker Connection	Inlet Poppet Valve	Sight Glass	Description	Vapor Compatibility
<b>VR3100</b>	4"	3" female NPT	Yes	No	Vapor valve, low profile design	Gasoline and diesel, up to E100 & B20 biofuels
<b>VR3100NP</b>	4"	3" female NPT	No	No	Vapor valve, low profile design	Gasoline and diesel, up to E100 & B20 biofuels
<b>VR4100</b>	4"	4" female NPT	Yes	No	Vapor valve, low profile design	Gasoline and diesel, up to E100 & B20 biofuels
<b>VR4100NP</b>	4"	4" female NPT	No	No	Vapor valve, low profile design	Gasoline and diesel, up to E100 & B20 biofuels
<b>VR4100S</b>	4"	4" female NPS	Yes	No	Vapor valve, low profile design	Gasoline and diesel, up to E100 & B20 biofuels
<b>VR4100NPS</b>	4"	4" female NPS	No	No	Vapor valve, low profile design	Gasoline and diesel, up to E100 & B20 biofuels
<b>VR4100F</b>	4"	4" TTMA Flange	Yes	Yes	Vapor valve, low profile design	Gasoline and diesel, up to E100 & B20 biofuels
<b>VR4100FNG</b>	4"	4" TTMA Flange	Yes	No	Vapor valve, low profile design	Gasoline and diesel, up to E100 & B20 biofuels
<b>VR4100F-SFI</b>	4"	4" TTMA Flange	Yes	Yes	Vapor valve, low profile design	Gasoline and diesel, up to E100 & B20 biofuels
<b>VR4100F-NGNP</b>	4"	4" TTMA Flange	No	No	Vapor valve, low profile design	Gasoline and diesel, up to E100 & B20 biofuels
<b>VR4000</b>	4"	4" TTMA Flange	Yes	Yes	Bulb design for maximum flow, (if required use 5000AIV interlock valve)	Gasoline and diesel, up to E100 & B20 biofuels

## Orange Vapor Caps

Part #	Description	Vapor Compatibility
<b>VR4050AL</b>	Aluminum vapor recovery adapter cap, color orange, push-pull T handle, Buna gasket	Gasoline and diesel, up to E100 & B20 biofuels
<b>VR4050PL</b>	Nylon vapor recovery adapter cap, color orange, push-pull T handle, Buna gasket	Gasoline and diesel, up to E100 & B20 biofuels
<b>VR4050ALC</b>	Aluminum vapor recovery adapter cap, color orange, push-pull T handle, Buna gasket, with chain	Gasoline and diesel, up to E100 & B20 biofuels
<b>VR4050PLC</b>	Nylon vapor recovery adapter cap, color orange, push-pull T handle, Buna gasket, with chain	Gasoline and diesel, up to E100 & B20 biofuels

# Fuel Vapor Recovery

## Vapor Hose Couplings



VR4030CS-AL



VR4040CS-AL



VR4040CS-AL

**NEW**  
**NEW**

Part #	Coupler Size	Connection Type & Size	Poppet Valve	Probe	Vapor Compatibility
<a href="#">VRC3000AL</a>	3"	3" hose	No	Yes	Gasoline and diesel, up to E100 and B20 biofuels
<a href="#">VR4030CS-AL</a> <sup>1</sup>	4"	3" hose	Yes	Yes	Gasoline and diesel, up to E100 and B20 biofuels
<a href="#">VR4040CS-AL</a>	4"	4" hose	Yes	Yes	Gasoline and diesel, up to E100 and B20 biofuels
<a href="#">VR4030CS-AL45</a>	4"	3" 45° hose shank	Yes	Yes	Gasoline and diesel, up to E100 and B20 biofuels
<a href="#">VR4040CS-AL45</a>	4"	4" 45° hose shank	Yes	Yes	Gasoline and diesel, up to E100 and B20 biofuels
<a href="#">VR4040CS-4MNPT</a>	4"	4" male NPT	Yes	Yes	Gasoline and diesel, up to E100 and B20 biofuels
<a href="#">4020-CVR-AL</a>	4"	2" hose	No	Yes	Gasoline and diesel, up to E100 and B20 biofuels
<a href="#">4030-CVR-AL</a>	4"	3" hose	No	Yes	Gasoline and diesel, up to E100 and B20 biofuels
<a href="#">400-CVR-AL</a>	4"	4" hose	No	Yes	Gasoline and diesel, up to E100 and B20 biofuels
<a href="#">4030-DVR-AL</a>	4"	3" female NPT	No	Yes	Gasoline and diesel, up to E100 and B20 biofuels
<a href="#">400-DVR-AL</a>	4"	4" female NPT	No	Yes	Gasoline and diesel, up to E100 and B20 biofuels
<a href="#">4030-DAVR-AL</a>	4"	3" cam & groove adapter	No	Yes	Gasoline and diesel, up to E100 and B20 biofuels
<a href="#">400-DDVR-AL</a>	4"	4" cam & groove coupler	No	Yes	Gasoline and diesel, up to E100 and B20 biofuels
<a href="#">VR4030CS-NP</a>	4"	3" hose	No	Yes	Gasoline and diesel, up to E100 and B20 biofuels

<sup>1</sup> VR4030CS-AL will not work with Civacon 633LVH vapor valve and requires poppet style vapor valve on tank truck to open.

## Sequential Vapor Vents

### Features & Benefits:

- Available for either 16" or 20" manholes
- Can be installed to open in sequence with another pneumatically controlled device such as the emergency valve, or open independently by simply plugging the lower of the 2 ports (use a 1/4" male NPT plug)
- Flange adapter available to adapt 3" TTMA (VR6035SQ) version to a Parker style vent
- Rugged cast aluminum construction
- Any necessary maintenance is easy to perform
- Biofuel vapor compatible up to E100 (100% Ethanol) and B100 (100% bio diesel). For detailed fuel compatibility, please refer to the chart shown on page 4.



VR6030SQ



VR6035SQ



40193AL

Part #	Description	Vapor Compatibility
<a href="#">VR6030SQ</a>	For 16" manhole, with threaded mounting ring	Gasoline and diesel, up to E100 and B100 biofuels
<a href="#">VR6035SQ</a>	For 20" manhole, with 3" TTMA flange	Gasoline and diesel, up to E100 and B100 biofuels
<a href="#">40193AL</a>	VR6035SQ adapter flange for Parker style vents	Gasoline and diesel, up to E100 and B100 biofuels

See page 11 for TTMA flange gaskets.

## Inbreathing and Outbreathing Vents



VRP3500 / VRP3600

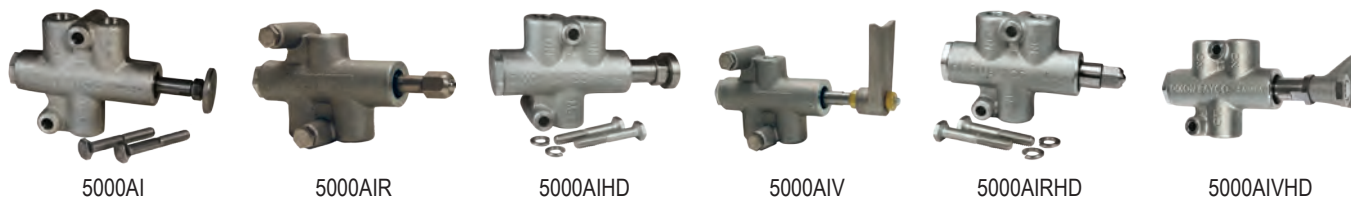


VRV3501

Part #	Description	Vapor Compatibility
<a href="#">VRP3500</a>	Outbreathing, opens at no greater than 1 PSI (MC306)	Gasoline and diesel, up to E100 and B100 biofuels
<a href="#">VRP3600</a>	Outbreathing, opens at no less than 1 PSI (DOT406)	Gasoline and diesel, up to E100 and B100 biofuels
<a href="#">VRV3501</a>	Inbreathing, opens at 1.5" Hg (vacuum)	Gasoline and diesel, up to E100 and B100 biofuels

# Fuel Vapor Recovery

## Air Interlock Valves Standard Air Interlock Valves



Part #	Description
<b>5000AI</b>	1" button plunger pneumatic interlock, Baylast™ seals
<b>5000AIST</b>	1½" button plunger pneumatic interlock, Baylast™ seals
<b>5000AIR</b>	Roller ball plunger pneumatic interlock, ideal for use on cabinet doors, Baylast™ seals
<b>5000AIS</b>	1" button plunger pneumatic/electronic interlock, ideal for connecting to lights or the overfill detection system, Baylast™ seals
<b>5000AIV</b>	Paddle plunger pneumatic interlock, for use on VR4000 vapor valve, Baylast™ seals
<b>5000AIHD</b>	Heavy duty, high flow air ports, same foot print as 5000AI, Baylast™ seals
<b>5000AIRHD</b>	Roller end for various angles, large air ports, Baylast™ seals
<b>5000AIVHD</b>	Heavy duty air interlock with paddle plunger, Baylast™ seals

## Heavy Duty 6-Port Air Interlock Valves



Part #	Description
<b>5006AIHD</b>	Heavy duty, high flow air ports, Baylast™ seals
<b>5006AIRHD</b>	Roller end for various angles, large air ports, Baylast™ seals
<b>5006AIVHD</b>	Heavy duty air interlock with paddle plunger, Baylast™ seals

## Air Interlock Valve Accessories



**NEW**

Part #	Description
<b>DB300PMB</b>	Mount 5000AI air interlock on 3" pipe
<b>DB400PMB</b>	Mount 5000AI air interlock on 4" pipe

# Fuel Tanker

## Hose Tube Doors

Application:	When not in use fuel delivery hoses are often store in tubes that run the length of the tanker, to keep the hoses in the storage tubes they have a welded cap on one end and a hinged tube door welded on the other end.
Standards:	Manufactured to weld to 6", 7" or 8" hose tubes
Materials:	Aluminum body, Buna seals, stainless steel door closure spring and hardware, nylon bushings
Features & Benefits:	<ul style="list-style-type: none"> <li>• Pad-lockable</li> <li>• Keeps fuel delivery hoses neatly and safely stored in the designated storage tubes</li> <li>• Helps to protect the expensive delivery hoses and fittings from road dirt, salt and other environmental factors</li> </ul>



TDF6



TDF7



TDF8

Part #	Description
<b>TDF6</b>	6" hose tube door
<b>TDF7</b>	7" hose tube door
<b>TDF8</b>	8" hose tube door

See page 93 for repair kits and replacement parts

## Static Grounding Balls

Application:	To help prevent static electric sparking when loading or unloading tankers containing flammable products, the tanker is grounded using a grounding cable with spring clip attached to a tank mounted static grounding ball.
Standards:	Manufactured with 3/8" -16UN-3A thread
Materials:	Brass or stainless steel
Features & Benefits:	<ul style="list-style-type: none"> <li>• Helps eliminate static electricity sparking</li> </ul>



GS1



GS1-2



GS2

Part #	Description
<b>GS1</b>	Brass grounding ball
<b>GS1-2</b>	Brass grounding ball with lock washer and stainless steel nut
<b>GS2</b>	Stainless steel grounding ball

## Tanker Pipe Caps



PC30

Features & Benefits:	<ul style="list-style-type: none"> <li>• Includes 12" heavy duty chain with S hook</li> <li>• Pin lugs allow easy tightening</li> <li>• Working pressure of up to <b>150 PSI</b></li> </ul>
----------------------	---

Part #	Description
<b>PC30</b>	3" female NPS pipe threaded aluminum cap



# Fuel Tanker

## One Way Full Flow Ball Valves

Application:	One way full flow ball valves are often used to control the flow of products from tanker compartments.
Standards:	Manufactured with 2", 3" or 4" female NPT, socket weld to Schedule 40 or grooved ends
Materials:	Aluminum body, aluminum and stainless steel wetted parts, FPM (FKM and PTFE seals)
Features & Benefits:	<ul style="list-style-type: none"> <li>• High flow with low pressure drop</li> <li>• Working pressure of <b>150 PSI at 70°F (21°C)</b></li> <li>• Valve spindle can be disassembled with valve installed.</li> </ul>

Part #	Size	Description
<b>1WAYBV200</b>	2"	Female NPT
<b>1WAYBV300</b>	3"	Female NPT
<b>1WAYBV400</b>	4"	Female NPT
<b>1WAYBV200SW</b>	2"	Schedule 40 socket weld
<b>1WAYBV300SW</b>	3"	Schedule 40 socket weld
<b>1WAYBV200VIC</b>	2"	Grooved connections
<b>1WAYBV300VIC</b>	3"	Grooved connections



1WAYBV300



1WAYBV300SW



1WAYBV300VIC

## Two Way-3 Port Diverting Ball Valves

Application:	Two way diverting ball valves are often used to diverting or mixing products between tanker compartments.
Standards:	Manufactured with 2", 3" or 4" female NPT, socket weld to Schedule 40 or grooved ends.
Materials:	Aluminum body, aluminum and stainless steel wetted parts, FPM (FKM and PTFE seals)
Features & Benefits:	<ul style="list-style-type: none"> <li>• 3 ports allow easy flow diversion between tanker compartments</li> <li>• High flow with low pressure drop</li> <li>• Working pressure of <b>150 PSI at 70°F (21°C)</b></li> <li>• Valve spindle can be disassembled with valve installed.</li> </ul>

Part #	Size	Description
<b>2WAYBV200</b>	2"	Female NPT
<b>2WAYBV300</b>	3"	Female NPT
<b>2WAYBV400</b>	4"	Female NPT
<b>2WAYBV200SW</b>	2"	Schedule 40 socket weld
<b>2WAYBV300SW</b>	3"	Schedule 40 socket weld
<b>2WAYBV200VIC3</b>	2"	Grooved connections
<b>2WAYBV300VIC3</b>	3"	Grooved connections



2WAYBV300



2WAYBV300SW



2WAYBV300VIC3

Product instruction sheets and technical data can be viewed on our website at [dixonvalve.com](http://dixonvalve.com)

## Dust Caps and Dust Plugs with Handle

Part #	Size	Description
<b>300-DC-ALPH</b>	3"	Aluminum dust cap
<b>300-DP-ALPH</b>	3"	Aluminum dust plug
<b>400-DC-ALPH</b>	4"	Aluminum dust cap
<b>400-DP-ALPH</b>	4"	Aluminum dust plug



300-DC-ALPH



300-DP-ALPH



400-DC-ALPH



400-DP-ALPH

# Dry Disconnects

## Cam and Groove Style Dry Disconnect Couplings

<b>Application:</b>	Dry disconnects help prevent spillage from normal or accidental disconnection of the connection. A spring loaded sealing device is designed to snap closed should the valve become disconnected with the poppet open, significantly limiting liquid loss.
<b>Standards:</b>	Manufactured to interchange with other cam and groove type dry disconnect couplings. Canadian registration number CRN #OH14044 all provinces, 3" size rated to 80 Psi for CRN required applications.
<b>Materials:</b>	Zinc, aluminum or stainless steel bodies with buna *, FKM *, FKM-B *, PTFE encapsulated silicone *, EPT (EPDM)*, Kalrez®, PTFE encapsulated FKM and PTFE seals, see part number chart for full seal selection. Contact Dixon® at 800-355-1991 for working pressures at temperatures other than <b>70°F (21°C)</b> and for chemical compatibility, size and material selection. Stainless steel corrosion resistance is equivalent to 304 stainless steel
<b>Features &amp; Benefits:</b>	<ul style="list-style-type: none"> <li>• Helps eliminate the possibility of costly spills</li> <li>• Compatible with most other brands of cam and groove style dry disconnects</li> <li>• Special configurations can be designed for your application</li> <li>• Female NPT or 150# flanged connections</li> </ul> <p><b>DBA Adapters</b></p> <ul style="list-style-type: none"> <li>• Two-piece adapter design for easy rebuilding of adapters</li> <li>• Stainless steel parts have a stainless steel piston.</li> <li>• Adapters below are used with the DBC or D2C couplers shown on pages 36 and 37.</li> <li>• Use standard cam and groove dust caps sized one size larger than the dry disconnect size, see chart below for dust cap size selection.</li> </ul> <p><b>DBC Couplers</b></p> <ul style="list-style-type: none"> <li>• Large paddle type locking cam arms standard on 3" fittings, allow for an easy grip</li> <li>• DBC series have automatic closing poppet assembly.</li> <li>• Heavy duty stainless steel crank and link provide long service life.</li> <li>• Stainless steel handle assembly allows exposure to corrosive chemicals or wash down service.</li> <li>• Strong handle attachment prevents bending of crank assembly.</li> <li>• Aluminum couplers have stainless steel internal parts.</li> <li>• EZ Boss-Lock™ cam arms standard on all 1½" and 2" fittings, provide high security from accidental opening due to vibration or snagging. Very easy to use, just close the arms and they lock, to open simply lift the lever (possible even with gloves on).</li> </ul>

\* Dependent upon part #, see part number list below for more details



DBA71-200



DBA11-300

### Female NPT Adapters

Female NPT Size	Adapter Size	Seal Material	Max PSI @ 70°F (21°C)	Aluminum Part #	Zinc/Aluminum Part #	Competitor Part #	Stainless Steel Part # <sup>1</sup>	Competitor Part #
1½"	2"	Buna	210	---	<b>DBA11-150</b>	1611AN-AL15	<b>DBA71-150</b>	1671AN-SS15
2"	2½"	Buna	150	<b>DBA61-200</b>	<b>DBA11-200</b>	1611AN-AL20	<b>DBA71-200</b>	1671AN-SS20
3"	4"	Buna	120	---	<b>DBA11-300</b>	1611AN-AL30	<b>DBA71-300</b>	1671AN-SS30
1½"	2"	FKM	210	---	<b>DBA12-150</b>	1612AN-AL15	<b>DBA72-150</b>	1672AN-SS15
2"	2½"	FKM	150	<b>DBA62-200</b>	<b>DBA12-200</b>	1612AN-AL20	<b>DBA72-200</b>	1672AN-SS20
3"	4"	FKM	120	---	<b>DBA12-300</b>	1612AN-AL30	<b>DBA72-300</b>	1672AN-SS30
1½"	2"	PTFE Encapsulated Silicone	210	<b>DBA63-150</b>	---	1613AN-AL15	<b>DBA73-150</b>	1673AN-SS15
2"	2½"	PTFE Encapsulated Silicone	150	<b>DBA63-200</b>	---	1613AN-AL20	<b>DBA73-200</b>	1673AN-SS20
3"	4"	PTFE Encapsulated Silicone	120	<b>DBA63-300</b>	---	1613AN-AL30	<b>DBA73-300</b>	1673AN-SS30
1½"	2"	EPDM	210	<b>DBA64-150</b>	---	1614AN-AL15	<b>DBA74-150</b>	1674AN-SS15
2"	2½"	EPDM	150	<b>DBA64-200</b>	---	1614AN-AL20	<b>DBA74-200</b>	1674AN-SS20
3"	4"	EPDM	120	<b>DBA64-300</b>	---	1614AN-AL30	<b>DBA74-300</b>	1674AN-SS30
1½"	2"	Kalrez®	210	<b>DBA66-150</b>	---	1616AN-AL15	<b>DBA76-150</b>	1676AN-SS15
2"	2½"	Kalrez®	150	<b>DBA66-200</b>	---	1616AN-AL20	<b>DBA76-200</b>	1676AN-SS20
3"	4"	Kalrez®	120	<b>DBA66-300</b>	---	1616AN-AL30	<b>DBA76-300</b>	1676AN-SS30
1½"	2"	PTFE Encapsulated FKM	210	<b>DBA67-150</b>	---	1617AN-AL15	<b>DBA77-150</b>	1677AN-SS15
2"	2½"	PTFE Encapsulated FKM	150	<b>DBA67-200</b>	---	1617AN-AL20	<b>DBA77-200</b>	1677AN-SS20
3"	4"	PTFE Encapsulated FKM	120	<b>DBA67-300</b>	---	1617AN-AL30	<b>DBA77-300</b>	1677AN-SS30
2"	2½"	FKM-GFLT	150	---	---	---	<b>DBA78-200</b>	---
3"	4"	FKM-B	120	<b>DBA69-300</b>	---	1619AN-AL30	<b>DBA79-300</b>	1679AN-SS30

<sup>1</sup> Stainless steel corrosion resistance is comparable to 304 stainless steel.

See pages 106 and 107 for repair kits and replacement parts  
 Product instruction sheets and technical data can be viewed on our website at [dixonvalve.com](http://dixonvalve.com)

# Dry Disconnects

## Jump Size Female NPT Adapters

Female NPT Size	Adapter Size	Dry Disconnect Body Size	Seal Material	Max PSI @ 70°F (21°C)	Zinc/Aluminum Part #	Competitor Part #
2"	2"	1½"	Buna	150	<b>DBA11-1520</b>	-
2"	2"	1½"	FKM	150	<b>DBA12-1520</b>	-

See pages 97 and 98 for replacement parts.



DBA12-1520

## Female NPS Vapor Adapter

Female NPSM Size	Adapter Size	Dry Disconnect Body Size	Seal Material	Max PSI @ 70°F (21°C)	Stainless Steel Part #	Competitor Part #
3"	2½"	2"	PTFE	150	<b>DBAV73-2030</b>	2173AVN

See page 108 for replacement parts.



DBAV73-2030

## 150# Flange Adapters

Flange Size	Adapter Size	Dry Disconnect Body Size	Seal Material	Max PSI @ 70°F (21°C)	Stainless Steel Part #	Competitor Part #
2"	2"	1½"	Buna	150	<b>DBAF71-1520</b>	1671ANF-SS15
2"	2½"	2"	Buna	150	<b>DBAF71-200</b>	1671ANF-SS20
3"	4"	3"	Buna	120	<b>DBAF71-300</b>	1671ANF-SS30
2"	2"	1½"	FKM	150	<b>DBAF72-1520</b>	1672ANF-SS15
2"	2½"	2"	FKM	150	<b>DBAF72-200</b>	1672ANF-SS20
3"	4"	3"	FKM	120	<b>DBAF72-300</b>	1672ANF-SS30
2"	2"	1½"	PTFE Encapsulated Silicone	150	<b>DBAF73-1520</b>	1673ANF-SS15
2"	2½"	2"	PTFE Encapsulated Silicone	150	<b>DBAF73-200</b>	1673ANF-SS20
3"	4"	3"	PTFE Encapsulated Silicone	120	<b>DBAF73-300</b>	1673ANF-SS30
2"	2"	1½"	EPDM	150	<b>DBAF74-1520</b>	1674ANF-SS15
2"	2½"	2"	EPDM	150	<b>DBAF74-200</b>	1674ANF-SS20
3"	4"	3"	EPDM	120	<b>DBAF74-300</b>	1674ANF-SS30
2"	2"	1½"	Kalrez®	150	<b>DBAF76-1520</b>	1676ANF-SS15
2"	2½"	2"	Kalrez®	150	<b>DBAF76-200</b>	1676ANF-SS20
3"	4"	3"	Kalrez®	120	<b>DBAF76-300</b>	1676ANF-SS30
2"	2½"	2"	FKM-GFLT	150	<b>DBAF78-200</b>	---

Note: Stainless steel corrosion resistance is comparable to 304 stainless steel.



DBAF72-200

See page 109 for repair kits and replacement parts  
 Product instruction sheets and technical data can be viewed on our website at [dixonvalve.com](http://dixonvalve.com)

# Dry Disconnects

## Cam and Groove Style Dry Disconnect Couplings



DBC61-150



DBC61-300

### Female NPT Couplers

Female NPT Size	Coupler Size	Seal Material	Max PSI @ 70°F (21°C)	Aluminum Part #	Competitor part # (New & Old)	Stainless Steel Part #	Competitor Part # (New & Old)
1.5"	2"	Buna	210	<b>DBC61-150</b>	1711DL-AL15 / 1761D-AL15	<b>DBC71-150</b>	1771DL-SS15 / 1771D-SS15
2"	2½"	Buna	150	<b>DBC61-200</b>	1711DL-AL20 / 1761D-AL20	<b>DBC71-200</b>	1771DL-SS20 / 1771D-SS20
3"	4"	Buna	120	<b>DBC61-300</b>	1711DL-AL30 / 1761D-AL30	<b>DBC71-300</b>	1771DL-SS30 / 1771D-SS30
1.5"	2"	FKM	210	<b>DBC62-150</b>	1712DL-AL15 / 1762D-AL15	<b>DBC72-150</b>	1772DL-SS15 / 1772D-SS15
2"	2½"	FKM	150	<b>DBC62-200</b>	1712DL-AL20 / 1762D-AL20	<b>DBC72-200</b>	1772DL-SS20 / 1772D-SS20
3"	4"	FKM	120	<b>DBC62-300</b>	1712DL-AL30 / 1762D-AL30	<b>DBC72-300</b>	1772DL-SS30 / 1772D-SS30
1½"	2"	PTFE Encapsulated Silicone	210	<b>DBC63-150</b>	1713DL-AL15 / 1763D-AL15	<b>DBC73-150</b>	1773DL-SS15 / 1773D-SS15
2"	2½"	PTFE Encapsulated Silicone	150	<b>DBC63-200</b>	1713DL-AL20 / 1763D-AL20	<b>DBC73-200</b>	1773DL-SS20 / 1773D-SS20
3"	4"	PTFE Encapsulated Silicone	120	<b>DBC63-300</b>	1713DL-AL30 / 1763D-AL30	<b>DBC73-300</b>	1773DL-SS30 / 1773D-SS30
1½"	2"	(EPDM)	210	<b>DBC64-150</b>	1714DL-AL15 / 1764D-AL15	<b>DBC74-150</b>	1774DL-SS15 / 1774D-SS15
2"	2½"	(EPDM)	150	<b>DBC64-200</b>	1714DL-AL20 / 1764D-AL20	<b>DBC74-200</b>	1774DL-SS20 / 1774D-SS20
3"	4"	(EPDM)	120	<b>DBC64-300</b>	1714DL-AL30 / 1764D-AL30	<b>DBC74-300</b>	1774DL-SS30 / 1774D-SS30
1½"	2"	Kalrez®	210	<b>DBC66-150</b>	1716DL-AL15 / 1766D-AL15	<b>DBC76-150</b>	1776DL-SS15 / 1776D-SS15
2"	2½"	Kalrez®	150	<b>DBC66-200</b>	1716DL-AL20 / 1766D-AL20	<b>DBC76-200</b>	1776DL-SS20 / 1776D-SS20
3"	4"	Kalrez®	120	<b>DBC66-300</b>	1716DL-AL30 / 1766D-AL30	<b>DBC76-300</b>	1776DL-SS30 / 1776D-SS30
1½"	2"	PTFE Encapsulated FKM	210	<b>DBC67-150</b>	1717DL-AL15 / 1767D-AL15	<b>DBC77-150</b>	1777DL-SS15 / 1777D-SS15
2"	2½"	PTFE Encapsulated FKM	150	<b>DBC67-200</b>	1717DL-AL20 / 1767D-AL20	<b>DBC77-200</b>	1777DL-SS20 / 1777D-SS20
3"	4"	PTFE Encapsulated FKM	120	<b>DBC67-300</b>	1717DL-AL30 / 1767D-AL30	<b>DBC77-300</b>	1777DL-SS30 / 1777D-SS30
2"	2½"	FKM-GFLT	150	-	-	<b>DBC78-200</b>	-
3"	4"	FKM-B	120	<b>DBC69-300</b>	1719DL-AL30 / 1769D-AL30	<b>DBC79-300</b>	1779DL-SS30 / 1779D-SS30

### Greaseless Female NPT Couplers

Female NPT Size	Coupler Size	Seal Material	Max PSI @ 70°F (21°C)	Stainless Steel Part #	Competitor Part # (New and Old)
1½"	2"	PTFE Encapsulated FKM	210	<b>DBC77-150-GL</b>	1777DL-SS15-GL / 177D-SS15-GL
2"	2½"	PTFE Encapsulated FKM	150	<b>DBC77-200-GL</b>	1777DL-SS20-GL / 177D-SS20-GL

Note: Stainless steel corrosion resistance is comparable to 304 stainless steel.  
See pages 112 - 117 for repair kits and replacement parts.

### Female NPT Swivel Couplers



DBS61-200

Female NPT Size	Coupler Size	Seal Material	Max PSI @ 70°F (21°C)	Aluminum Part #	Competitor Part # (New and Old)
2"	2½"	Buna	150	<b>DBS61-200</b>	1711ESL-AL20 / 1711ES-0200
2"	2½"	FKM	150	<b>DBS62-200</b>	1712ESL-AL20 / 1712ES-0200
2"	2½"	PTFE Encapsulated Silicone	150	<b>DBS63-200</b>	-

See pages 112 - 117 for repair kits and replacement parts  
Product instruction sheets and technical data can be viewed on our website at [dixonvalve.com](http://dixonvalve.com)



# Dry Disconnects

## Valve Handle Locking Kits for above Couplers

Part #	Description
<b>DBCL-200</b>	Valve handle locking kit for 1½" & 2" couplers
<b>DBCL-300</b>	Valve handle locking kit for 3" couplers



DBCL-200

## Cam and Groove Style Dry Disconnect D2C Couplings

<b>Application:</b>	Dry disconnects help prevent spillage from normal or accidental disconnection of the connection. D2C series couplings are similar to the DBC series as shown on page 23, except the D2C do not have an internal seal cylinder, therefore the couplings do not automatically close. The D2C couplers are suited to vapor recovery, suction pump and applications where it is necessary to easily drain the hose or piping for cleaning. They can also be used when product retention in hose or pipe is desired, but environmental damage from an open coupling is not a threat.
<b>Standards:</b>	Use with Dixon Bayco DBA series adapters. Manufactured to interchange with other cam and groove type dry disconnect couplings.
<b>Materials:</b>	316 Stainless steel bodies with Buna *, FKM *, FKM-B *, PTFE encapsulated silicone *, EPT (EPDM)*, Kalrez®, PTFE encapsulated FKM seals, see part number chart for full seal selection. Contact Dixon® at 800-355-1991 for working pressures at temperatures other than 70°F (21°C) and for chemical compatibility, size, and material selection.
<b>Features &amp; Benefits:</b>	<ul style="list-style-type: none"> <li>• Helps eliminate the possibility of costly spills</li> <li>• Compatible with most other brands of cam and groove style dry disconnects</li> <li>• Special configurations can be designed for your application</li> <li>• Female NPT</li> <li>• Couplers below are used with the DBA adapters shown on pages 21 and 22.</li> <li>• Use standard cam and groove dust plugs, sized one size larger than the dry disconnect size, see chart below for dust plug size selection.</li> <li>• Stainless steel valve handle locking kit included on valve handle.</li> <li>• EZ Boss-lock automatic locking cam arms provide added security from accidental opening due to cam arms getting snagged or vibration. Very easy to use, just close the arms and they lock, to open simply lift the lever (possible even with gloves on).</li> </ul>

\* Dependent upon part #, see part number list below for more details  
See page 120 for replacement parts.

## Female NPT Couplers

Female NPT Size	Coupler Size	Seal Material	Max PSI @ 70°F (21°C)	Stainless Steel Part #	Competitor Part #
1½"	2"	Buna	210	<b>D2C71-150</b>	2271D-SS15
2"	2½"	Buna	150	<b>D2C71-200</b>	2271D-SS20
1½"	2"	FKM	210	<b>D2C72-150</b>	2272D-SS15
2"	2½"	FKM	150	<b>D2C72-200</b>	2272D-SS20
1½"	2"	PTFE Encapsulated Silicone	210	<b>D2C73-150</b>	2273D-SS15
2"	2½"	PTFE Encapsulated Silicone	150	<b>D2C73-200</b>	2273D-SS20
1½"	2"	EPDM	210	<b>D2C74-150</b>	2274D-SS15
2"	2½"	EPDM	150	<b>D2C74-200</b>	2274D-SS20



D2C71-150



D2C71-200

See page 120 for repair kits and replacement parts  
Product instruction sheets and technical data can be viewed on our website at [dixonvalve.com](http://dixonvalve.com)

# Dry Disconnects

## Bayco Bayonet Style Dry Disconnect Couplings

<b>Application:</b>	Bayonet dry disconnect fittings are ideally suited for the spill-less transfer of petroleum products such as fuel oil, lube oil blending, and tank truck delivery. The design of the Bayco bayonet dry disconnect system ensures a spill free connection, fluid cannot flow until couplings are connected together and the valve is opened. The coupling can then not be disconnected until the valve handle is closed.
<b>Standards:</b>	Manufactured to interchange with other brands of bayonet type dry disconnect couplings. Canadian registration number CRN #OH14055 all provinces.
<b>Materials:</b>	Adapters have anodized aluminum *, brass * or stainless steel * bodies with either anodized aluminum * or brass * poppet valves. Couplers are aluminum. Adapters and couplers are available with either buna or FKM seals.
<b>Features &amp; Benefits:</b>	<ul style="list-style-type: none"> <li>• Helps eliminate the possibility of costly spills</li> <li>• Compatible with most other brands of bayonet style dry disconnects</li> <li>• Female NPT</li> <li>• Rubber dust caps and plugs with stainless steel chains are available to protect the adapters and couplers from contamination and damage</li> <li>• Maximum operating pressure: <b>85 PSI at 75°F</b>, for pressure ratings at other temperatures contact Dixon®.</li> </ul>

\* Dependent upon part #, see part number list below for more details  
See page 121 for replacement parts.



BA32-200



BA62-300

### Female NPT Adapters

Female NPT Size	Seal Material	Description	Part #	Competitors Part #	Rubber Dust Cap Part #
2"	Buna	Stainless steel body with brass poppet valve	<b>BA31-200</b>	J72A-BBN0-B / J72A-ABN0-B	<b>BAC-200</b>
2"	FKM	Stainless steel body with brass poppet valve	<b>BA32-200</b>	J72A-BVN0-B / J72A-AVN0-B	<b>BAC-200</b>
3"	Buna	Brass body and poppet valve	<b>BA31-300</b>	J73A-BBN0-B	<b>BAC-300</b>
3"	FKM	Brass body and poppet valve	<b>BA32-300</b>	J73A-BVN0-B	<b>BAC-300</b>
3"	Buna	Anodized aluminum body and poppet valve	<b>BA61-300</b>	J73A-ABN0-B	<b>BAC-300</b>
3"	FKM	Anodized aluminum body and poppet valve	<b>BA62-300</b>	J73A-AVN0-B	<b>BAC-300</b>



BC61-200



BSS61-300



BS61-300

### Female NPT Couplers

Female NPT Size	Seal Material	Description	Part #	Competitors Part #	Rubber Dust Plug Part #
2"	Buna	Anodized aluminum body with straight non-swiveling NPT connection	<b>BC61-200</b>	J72C-ABNO-B	<b>BCP-200</b>
2"	FKM	Anodized aluminum body with straight non-swiveling NPT connection	<b>BC62-200</b>	J72C-AVNO-B	<b>BCP-200</b>
2"	Buna	Aluminum body with straight swiveling NPT connection	<b>BSS61-200</b>	J72C-ABN1-B	<b>BCP-200</b>
2"	FKM	Aluminum body with straight swiveling NPT connection	<b>BSS62-200</b>	J72C-AVN1-B	<b>BCP-200</b>
2"	Buna	Aluminum body with 90° swiveling NPT connection	<b>BS61-200</b>	J72C-ABN2-B	<b>BCP-200</b>
2"	FKM	Aluminum body with 90° swiveling NPT connection	<b>BS62-200</b>	J72C-AVN2-B	<b>BCP-200</b>
3"	Buna	Aluminum body with straight swiveling NPT connection	<b>BSS61-300</b>	J73C-ABN1-B	<b>BCP-300</b>
3"	FKM	Aluminum body with straight swiveling NPT connection	<b>BSS62-300</b>	J73C-AVN1-B	<b>BCP-300</b>
3"	Buna	Aluminum body with 90° swiveling NPT connection	<b>BS61-300</b>	J73C-ABN2-B	<b>BCP-300</b>
3"	FKM	Aluminum body with 90° swiveling NPT connection	<b>BS62-300</b>	J73C-AVN2-B	<b>BCP-300</b>

See pages 122 - 125 for repair kits and replacement parts  
Product instruction sheets and technical data can be viewed on our website at [dixonvalve.com](http://dixonvalve.com)

# Dry Disconnects

## Bayco Bayonet Style Dry Disconnect Caps and Plugs

<b>Application:</b>	Bayonet dry disconnect caps and plugs keep dirt, debris and water out of couplers preventing build up on the sealing surface that will cause seals to fail prematurely.
<b>Materials:</b>	The caps have a stainless steel chain to secure them to the adapter chain lug. The plugs have a stainless steel chain to secure them to the coupler.
<b>Features &amp; Benefits:</b>	<ul style="list-style-type: none"> <li>• Simple to use</li> <li>• Low cost</li> <li>• Durable and flexible rubber</li> <li>• Prevents contamination of product</li> </ul>



BAC-300



BCP-300

Size	Part #	Description
2"	<b>BCP-200</b>	Coupler plug
3"	<b>BCP-300</b>	Coupler plug
2"	<b>BAC-200</b>	Adapter cap
3"	<b>BAC-300</b>	Adapter cap

# Fuel Tanker

## API Couplers

<b>Application:</b>	API couplers are used at the petroleum loading rack for bottom loading of petroleum tankers. They are mounted to the rack loading arm, using the built in 4" TTMA flange connection. When the empty Petroleum tanker pulls into the loading rack to load, the API couplers are connected to the API valves on the tanker. The connection interface consists of a poppet and a plunger, which ensures a positive spill free connection.
<b>Standards:</b>	Manufactured to American Petroleum Institute standard API RP-1004, which allows for positive connection to API valves such as the Dixon Bayco 5204 series API valves
<b>Materials:</b>	356 T6 aluminum anodized hard coat body, aluminum handle, stainless steel hardware, buna *, FKM-B * and FKM GFLT * seals *
<b>Features &amp; Benefits:</b>	<ul style="list-style-type: none"> <li>• Modular design, allows various face seal combinations, and very easy no special tools required maintenance</li> <li>• Shaft seals can be changed without removing coupler from loading arm</li> <li>• Locking 5 cam design for easy alignment and tight connection and safety interlock to help ensure coupler properly attached before valve opens.</li> <li>• <b>5300BCL</b> is for use in railcar applications with investment cast SS locking handle</li> <li>• Ball-end handle for easy, comfortable operation</li> <li>• Choice of either a bonded nose seal, which offers a long life and cannot be washed out, or replaceable nose seal, which allows quick seal replacement without removal from the loading arm.</li> <li>• Link, shaft, pin and crank: hardened 17-4PH stainless steel</li> <li>• Maximum working pressure <b>150 PSI</b> to include 5300, 5300B, 5300BC, 5300BCL. 5300G maximum working pressure is <b>100 PSI</b>. Maximum flow <b>600 GPM, (2271 LPM)</b>. Pressure drop of only <b>3 to 4 PSI</b>. 5400 series maximum working pressure <b>75 PSI</b></li> <li>• FKM-B: <b>-10°F to 400°F (-23°C to 204°C)</b>, FKM-GFLT: <b>-20°F to 400°F (-28°C to 204°C)</b>, Buna seals: <b>-20°F to 250°F (-28°C to 121°C)</b></li> <li>• Biofuel compatible up to E100 (100% Ethanol) * and B100 (100% bio diesel). * For detailed fuel compatibility, please refer to the chart shown on page 4.</li> </ul>



\* Dependent upon part #, see part number list below for more details



\* Normal wear & tear items (including seals) not covered

### API coupler with bonded nose seal



API Coupler

Part #	Seal Material	Fuel Compatibility
<b>5300</b>	Buna seals	Gasoline and diesel, up to E100 and B20 biofuels
<b>5300B</b>	FKM-B	Gasoline and diesel, up to E100 and B100 biofuels
<b>5300G</b>	FKM GFLT	Gasoline and diesel, up to E100 and B100 biofuels
<b>5300BC</b>	FKM-B	Gasoline and diesel, up to E100 and B100 biofuels, crude oil
<b>5300BCL</b>	FKM-B	Gasoline and diesel, up to E100 and B100 biofuels, crude oil

### API coupler with replaceable nose seal



5354P1

Part #	Seal Material	Fuel Compatibility
<b>5400</b>	Buna seals	Gasoline and diesel, up to E100 and B20 biofuels
<b>5400B</b>	FKM-B	Gasoline and diesel, up to E100 and B100 biofuels
<b>5400G</b>	FKM GFLT	Gasoline and diesel, up to E100 and B100 biofuels
Part #	Description	
<b>5354P1</b>	plug for API rack couplers	
<b>5204H</b>	Rack coupler hanger	

See pages 74-76 for repair kits and replacement parts

See page 13 for TTMA flange gaskets



# Fuel Tanker

## Forged Aluminum Groove Clamps


### Features and Benefits:

- Lightweight yet rugged. Unlike steel groove clamps that secure the pipe ends with high clamping force against the tubing/piping walls, the Dixon® aluminum bolted clamp takes the full bolt force and locks into the groove of the tube/pipe, preventing distortion of the tube/pipe diameter.
- Precision forged to provide an exact fit and great appearance
- Lock nuts prevent loosening in applications with vibration.
- Temperature ratings FKM-B: **20°F to 300°F (-6.7°C to 149°C)**, Baylast™ and Buna: **-20°F to 180°F (-28.9°C to 82.2°C)**

Size	Seal	Part #	Max. PSI	Approx. Weight Lbs.	Bolt Torque <sup>1</sup>	Fuel Compatibility
2"	Buna	<b>DBV-BN200</b>	400	0.8	20 ft lbs	Gasoline and Diesel, up to E100 & B20 Biofuels
2"	FKM-B	<b>DBV-VB200</b>	400	0.8	20 ft lbs	Gasoline and Diesel, up to E100 & B100 Biofuels
2"	Baylast™	<b>DBV-BL200</b>	400	0.8	20 ft lbs.	Gasoline and Diesel, up to E100 & B100 Biofuels
3"	Buna	<b>DBV-BN300</b>	170	1.1	20 ft lbs	Gasoline and Diesel, up to E100 & B20 Biofuels
3"	FKM-B	<b>DBV-VB300</b>	170	1.1	20 ft lbs	Gasoline and Diesel, up to E100 & B100 Biofuels
3"	Baylast™	<b>DBV-BL300</b>	170	1.1	20 ft lbs.	Gasoline and Diesel, up to E100 & B100 Biofuels
4"	Buna	<b>DBV-BN400</b>	120	1.5	20 ft lbs	Gasoline and Diesel, up to E100 & B20 Biofuels
4"	FKM-B	<b>DBV-VB400</b>	120	1.5	20 ft lbs	Gasoline and Diesel, up to E100 & B100 Biofuels
4"	Baylast™	<b>DBV-BL400</b>	120	1.5	20 ft lbs.	Gasoline and Diesel, up to E100 & B100 Biofuels



DBV-BN400

 <sup>1</sup> Torque the bolts until metal to metal contact occurs at the bolt pads (about 20 ft-lbs). Bolts must be tightened evenly to prevent gasket pinching and clamp breaking. DO NOT tighten one side then the other. Over-torquing will not improve sealing and may result in failure of the clamps. DO NOT torque bolts over 30 ft-lbs.

## Groove x Groove Painted Iron Clamps with Baylast™ Gasket

### Features and Benefits:

- Painted red
- Baylast™ rated for biodiesel, Ethanol, diesel, gas and ULSD
- Groove x groove

Size	Seal	Maximum PSI	Part #
2"	Baylast™	500	<b>L02BL</b>
3"	Baylast™	300	<b>L03BL</b>
4"	Baylast™	300	<b>L04BL</b>



L02BL

## Replacement Clamp Gaskets



G400T

Clamp Size	Part #	Seal	Buna Fuel Compatibility
2"	<b>G200T</b>	Buna (1 orange stripe)	Gasoline and Diesel, up to E100 & B20 Biofuels
3"	<b>G300T</b>	Buna (1 orange stripe)	Gasoline and Diesel, up to E100 & B20 Biofuels
4"	<b>G400T</b>	Buna (1 orange stripe)	Gasoline and Diesel, up to E100 & B20 Biofuels
2"	<b>G200VB</b>	FKM-B (2 red stripe)	Gasoline and Diesel, up to E100 & B100 Biofuels
3"	<b>G300VB</b>	FKM-B (2 red stripe)	Gasoline and Diesel, up to E100 & B100 Biofuels
4"	<b>G400VB</b>	FKM-B (2 red stripe)	Gasoline and Diesel, up to E100 & B100 Biofuels
2"	<b>G200BL</b>	Baylast™ (2 orange stripes)	Gasoline and Diesel, up to E100 & B100 Biofuels
3"	<b>G300BL</b>	Baylast™ (2 orange stripes)	Gasoline and Diesel, up to E100 & B100 Biofuels
4"	<b>G400BL</b>	Baylast™ (2 orange stripes)	Gasoline and Diesel, up to E100 & B100 Biofuels

Biofuel Compatible



# Fuel Tanker

## Farm and Consumer Nozzles

### Features:

- Micro-touch valve provides smooth operation and exceptional flow control
- Pure PTFE stem packing eliminates leaks
- Heavy duty, strong, secure hook makes it easy to hang the nozzle on the pump
- Roto-matic latch pin provides positive auto shut-off
- Smartguard snap-on scuff guard
- With trigger hold-open clip
- Non Underwriters Listed nozzle



gasoline



diesel

Female NPT Inlet	Spout Size	Intended Service	Approximate Flow Rate At 20 PSI (GPM)	Approximate Weight Lbs	Scuff Guard Color	Part #
3/4"	13/16"	Gasoline	18	2½	Black	<b>DN7UOBF</b>
3/4"	15/16"	Diesel	23	2½	Green	<b>DN7LOBF</b>

## Big Mouth™ Diesel Nozzle

### Features and Benefits:

- *This nozzle is not to be used with gravity flow tanks.*
- Lightweight but strong
- Micro-touch valve provides smooth operation and exceptional flow control
- Roto-matic latch pin provides positive auto shut-off
- Pure PTFE packing eliminates stem leaks
- Super tough nylon hand guard
- Snap-on handle cover makes changing scuff guards easy
- With trigger hold-open clip
- Non Underwriters Listed nozzle



Female NPT Inlet	Spout Size	Intended Service	Approximate Flow Rate At 20 PSI (GPM)	Approximate Weight Lbs	Scuff Guard Color	Part #
1"	1-1/8"	Diesel	27	3	Yellow	<b>DFN100</b>

## Fuel Master™ Diesel Nozzles

### Features and Benefits:

- High flow capacity
- Micro-touch valve provides smooth operation and exceptional flow control
- Roto-matic latch pin provides positive auto shut-off
- Pure PTFE packing eliminates stem leaks
- Super tough nylon hand guard
- Easy to change 'locknut style' spout assembly
- With trigger hold-open clip
- Non Underwriters Listed nozzle



DFN100HF



DFN100SF

Female NPT Inlet	Spout Size	Intended Service	Approximate Flow Rate At 20 PSI (GPM)	Approximate Weight Lbs	Scuff Guard Color	Part #
1"	1-3/16"	Diesel	35	3½	Green	<b>DFN100HF</b>
1"	1-3/16"	Diesel	45	3½	Green	<b>DFN100SF</b>

## DEF Automatic Shutoff Nozzle

### Features and Benefits:

- Designed for diesel exhaust fluid, aluminum body double coated inside and out with PTFE baked on at 500°F
- Spout: stainless steel
- Wetted parts: stainless, acetal, PTFE
- Seals are FKM-A



BSPP Inlet	Spout Size	Intended Service	Approximate Flow Rate At 20 PSI (GPM)	Approximate Weight Lbs	Scuff Guard Color	Part #
3/4"	13/16"	Diesel	30	3½	Blue	<b>DEFN075</b>

# Fuel Nozzles

## Fueler 100™ Automatic Diesel Nozzle

<b>Features &amp; Benefits:</b>	<ul style="list-style-type: none"> <li>• Good flow rating of <b>75 GPM (at 30 PSI)</b></li> <li>• Light weight Tenzaloy aluminum casting</li> <li>• Tough, reliable and easy to operate automatic nozzle for fueling trucks, buses, off-road equipment and fuel oil delivery</li> <li>• Replaces 1124D and 1144D</li> </ul>
---------------------------------	---

Female NPT Inlet	Spout Size	Intended Service	Approximate Flow Rate At 30 PSI (GPM)	Approximate Weight Lbs	Part #
1¼"	1-3/8"	Diesel	75	6-7/8	<b>DNOG5-NL<sup>1</sup></b>
1¼"	1-3/8"	Diesel	75	6-7/8	<b>DNOG5</b>

<sup>1</sup> The DNOG5-NL is a 1¼" nozzle without the locking handle



## Pressure Nozzles for Bulk Delivery

<b>Features &amp; Benefits:</b>	<ul style="list-style-type: none"> <li>• High flow design, 1½" nozzle (112D) provides <b>100 GPM</b> flow at approx <b>10 PSI</b></li> <li>• Easy opening dash pot design with shock less closing</li> <li>• Available with or without an aluminum spout (brass spouts optional)</li> <li>• Detachable and replaceable trigger ratchet</li> </ul>
---------------------------------	---

Female NPT Inlet	Outlet Type	Part #
1¼"	1¼" aluminum spout	<b>114D</b>
1¼"	1¼" female NPT	<b>114DNS</b>
1½"	1½" aluminum spout	<b>112D</b>
1½"	1½" female NPT	<b>112DNS</b>



112D

## Replacement Spouts

Male NPT Size	Description	Part #
1¼"	Replacement aluminum spout	<b>1143A</b>
1¼"	Optional brass spout	<b>1143B</b>
1½"	Replacement aluminum spout	<b>1125A</b>
Female NPT inlet: 1½", outlet type: 1¼"	1½" spout crimped to 1¼"	<b>1125A-125NPT</b>
1½"	Optional brass spout	<b>1125B</b>



112DNS

See page 126-128 for repair kits and replacement parts.

## Pressure Nozzles for Bulk Delivery

Female NPT Inlet	Outlet Type	Part #
1¼"	1¼" aluminum spout	<b>1250-94</b>

See page 129 for repair kits and replacement parts.



# Fuel Nozzles

## Ball Nozzles for Bulk Delivery

<b>Application:</b>	Ball nozzles have a very high flow rate and low pressure drop and are ideal for bulk oil and fuel deliveries, they are basically a full port ball valve with an inlet swivel and outlet spout.
<b>Standards:</b>	Manufactured to connect to NPT threaded hose connections
<b>Materials:</b>	Black anodized aluminum main body, with aluminum spout, polished stainless steel handle and latch, Bayloy inlet swivel, hardened carbon steel swivel ball race, through hardened chrome steel ball bearings, buna and PTFE seals, Acetal valve seat and stainless steel valve ball. Please note: all fuels contain additives, which vary by fuel brand and season. Please contact Dixon® with a list of all additives and we will advise of any known compatibility issues.
<b>Features &amp; Benefits:</b>	<ul style="list-style-type: none"> <li>• Full 1" flow path through the ball is computer designed and higher than any known competitors, which results with very low pressure drop permitting higher flow rates at lower pressure, reducing foaming or product backups.</li> <li>• Unique swivel design permits leak free service, even at temperatures as low as <b>-40°C (-40°F)</b> at <b>100 PSI</b></li> <li>• Comes standard with 3 PSI check valve, helps ensure residual fuels within the delivery hose and nozzle are contained (optional 5 PSI check valve kit is available, order field replaceable kit BL-RK11 for 1¼" and 1½" ball nozzles, and kit BL-RK112 for 2" Super Ball nozzles)</li> <li>• Available with field replaceable outlet spout or quick fill swivel nut.</li> </ul>



BL072



BL062NS



BL062/BL064



BL920

Female NPT Swivel Inlet	Outlet Type	Part #
1¼"	Quick fill nut	<b>BL062</b>
1¼"	1¼" aluminum spout	<b>BL066</b>
1¼"	1¼" female NPT	<b>BL066NS</b>
1½"	1¼" aluminum spout	<b>BL068</b>
1½"	1¼" female NPT	<b>BL068NS</b>
1½"	Quick fill nut	<b>BL064</b>
1½"	1½" aluminum spout	<b>BL072</b>
1½"	1½" female NPT	<b>BL072NS</b>
1½"	2" aluminum spout	<b>BL918</b>
2"	1½" aluminum spout	<b>BL919</b>
2"	2" aluminum spout	<b>BL920</b>

## Replacement Spouts and Quick Fill Swivel Nuts



BL002

Male NPT Size	Description	Part #
1¼"	Replacement aluminum spout	<b>1143A</b>
1¼"	Bronze quick fill nut adapter for BL066NS and BL068NS	<b>BL002</b>
1½"	Replacement aluminum spout	<b>1125A</b>
1½"	Bronze quick fill nut adapter for BL072NS	<b>BL001</b>
2"	Replacement aluminum spout	<b>391137</b>
-	Replacement bronze quick fill nut adapter for BL062 and BL064	<b>BL005</b>

See pages 126 - 127 and 133-135 for repair kits and replacement parts. Product instruction sheets and technical data can be viewed on our website at [dixonvalve.com](http://dixonvalve.com)



# Fuel Nozzles

## Standard - Low Pressure / Gravity Utility Nozzles

<b>Application:</b>	These delivery nozzles are manual operation (do not have an automatic flow shut off) ideally suited for low pressures ( <b>maximum 25 PSI</b> ) such as agricultural and 12 volt truck utility pumps, or gravity flow applications.
<b>Standards:</b>	Manufactured to connect to NPT threaded hose connections.
<b>Materials:</b>	Die cast zinc body, plated steel trigger and aluminum spout, buna seals Please note all fuels contain additives which can vary by fuel brand and season. Please contact Dixon® with a list of all additives and we will advise of any known compatibility issues.
<b>Features &amp; Benefits:</b>	<ul style="list-style-type: none"> <li>• Rugged design</li> <li>• Good flow rating, provides 95 GPM flow at approx 20 PSI</li> <li>• Choice of ¾" or 1" inlets, and a variety of outlets and spouts</li> </ul>

Female NPT Inlet	Outlet Type	Part #
¾" <sup>1</sup>	¾" straight spout	<b>900S34</b>
¾" <sup>1</sup>	¾" bent spout	<b>900B34</b>
1"	1" UNS female thread (nozzle body only)	<b>900</b>
1"	¾" straight spout	<b>900W34S</b>
1"	¾" bent spout	<b>900W34B</b>
1"	1" straight spout	<b>900S</b>
1"	1" bent spout	<b>900B</b>



900B

<sup>1</sup> Nozzles with ¾" female NPT inlet, use a steel bushing to achieve ¾" female NPT inlet.

## Replacement Spouts

Description	Part #
¾" replacement straight spout	<b>234-80-4</b>
¾" replacement bent spout	<b>234-80-5</b>
1" replacement straight spout	<b>875-4</b>
1" replacement bent spout	<b>875-5</b>



875-5

Product instruction sheets and technical data can be viewed on our website at [dixonvalve.com](http://dixonvalve.com)

# Fuel Nozzles & Swivels

## Aircraft Over Wing Nozzles

<b>Application:</b>	Aircraft over wing nozzles are manual operation (do not have an automatic flow shut off) they are used for fueling aircraft that have fuel tank access from the top of the wing.
<b>Standards:</b>	Manufactured to connect to NPT threaded hose connections.
<b>Materials:</b>	Aluminum body, bronze trigger, aluminum spout, Buna seals, plastic wing guard and spout cap, stainless steel mesh screen. Please note: all fuels contain additives, which can vary by fuel brand and season. Please contact Dixon® with a list of all additives and we will advise of any known compatibility issues.
<b>Features &amp; Benefits:</b>	<ul style="list-style-type: none"> <li>• High flow design provides approximately <b>60 GPM @ 20 PSI</b></li> <li>• Easy opening dash pot design with shock less closing</li> <li>• Plastic wing guard protects the aircraft wing during fueling</li> <li>• Detachable and replaceable trigger ratchet</li> <li>• Aluminum spout has a plastic cap with spring cord, to prevent drips and scratches</li> <li>• Nozzle includes a fine mesh stainless steel screen filter</li> <li>• Screw attachment for grounding cable</li> </ul>



114DAV-06ASM

Female NPT Inlet	Outlet type	Part #
1¼"	1" aluminum spout	<b>114DAVR</b>
1¼"	1¼" aluminum spout	<b>114D-AV</b>
1½"	1¼" aluminum spout	<b>114D-AV-06ASM</b>

See page 128 for repair kits and replacement parts.

## Male x Female NPT Nozzle Swivels

<b>Standards:</b>	Manufactured to connect to NPT threaded hose and nozzle connections
<b>Materials:</b>	¾" and 1" sizes, aluminum body, brass hex nut, FKM / Buna seals, nylon cord retainer. 1¼" - 2" sizes, Bayloy body, hardened carbon steel swivel ball race, through hardened chrome steel ball bearings, buna and PTFE seals Please note all fuels contain additives which can vary by fuel brand and season. Please contact Dixon® with a list of all additives and we will advise of any known compatibility issues.
<b>Features &amp; Benefits:</b>	<b>150 PSI</b> maximum rating



SWMF150

Size	Description	Part #
¾"	Male NPT x female NPT	<b>DAWS34</b>
1"	Male NPT x female NPT	<b>DAWS10</b>
1¼"	Male NPT x female NPT	<b>SWMF125</b>
1½"	Male NPT x female NPT	<b>SWMF150</b>
2"	Male NPT x female NPT	<b>SWMF200</b>

## Male NPT x Hose Shank Swivel



1565U

Size	Description	Part #
1½"	Male NPT x hose shank, Buna-N seal	<b>1565U</b>

See page 131 for repair kits and replacement parts.

Product instruction sheets and technical data can be viewed on our website at [dixonvalve.com](http://dixonvalve.com)

# Fuel Swivels

## Breakaways

<b>Application:</b>	Provides breakaway protection for high capacity fueling operations such as truck and bus terminals, mining, off-road fueling and fuel oil delivery.
<b>Materials:</b>	Aluminum body
<b>Features &amp; Benefits:</b>	<ul style="list-style-type: none"> <li>• Buna seals</li> <li>• Unique ball valves seal both ends when separated</li> <li>• Design provides consistent and reliable performance</li> <li>• Lightweight</li> <li>• Easy to repair</li> <li>• <math>\frac{3}{4}</math>" are Underwriter's Listed</li> </ul>

Size	Number Of Brass Break Rings	Separation Force (Lbs)	Part #
$\frac{3}{4}$ "	2	<b>325</b>	<b>DAB34</b>
1"	2	<b>325</b>	<b>DAB1</b>



DAB34

<b>Application:</b>	Provides breakaway protection for high capacity fueling operations such as truck and bus terminals, mining, off-road fueling and fuel oil delivery.
<b>Materials:</b>	Nickel plated aluminum body
<b>Features &amp; Benefits:</b>	<ul style="list-style-type: none"> <li>• FKM / Buna seals</li> <li>• Check valve - PTFE ball seals both ends when separated</li> </ul>

Size	Number Of Brass Break Rings	Separation Force (Lbs)	Part #
1 $\frac{1}{4}$ "	4	<b>600</b>	<b>DAB14</b>
1 $\frac{1}{2}$ "	4	<b>600</b>	<b>DAB15</b>
2"	6	<b>800</b>	<b>DAB2</b>



DAB15

# Above Ground Tank

## Automatic Pressure/Vacuum Relief Caps for Stationary Tanks

Application:	These caps are threaded into the top of stationary (non-mobile) above ground fuel storage tanks, where they serve two purposes: a) they can be used as a thread in and lockable fuel filler cap. b) They protect the tank from expansion or implosion, the internal relief valve is normally closed, but opens to relieve internal pressure or vacuum.
Standards:	Manufactured to thread into both NPS and NPT tank openings
Materials:	Die cast zinc body, brass screen
Features & Benefits:	<ul style="list-style-type: none"> <li>• Normally closed vent stops fuel evaporation and airborne contaminants</li> <li>• Protects tank from pressure or vacuum build-up. Relieves pressure at <b>2 PSI</b> and vacuum at 0.7 HG at a rate of 20 SCFM</li> <li>• Can be used as a fuel filler cap</li> <li>• Pad-lockable to prevent fuel theft and tampering</li> </ul>



2500L

Male NPT	Part #
2"	<b>2000L</b>
2½"	<b>2500L</b>

Note: Not intended for use on mobile tanks. To ensure that the cap can properly vent, the vent cap must be kept free of any debris i.e. dirt, snow, ice, rags etc.

## Standard Vent Caps for Stationary Tanks



- Always open vent
- Protects tank from pressure or vacuum build-up
- Can be used as a fuel filler cap



2500SFV

Male NPS	Part #
2½"	<b>2500SFV</b>

Note: Not intended for use on mobile tanks. To ensure that the cap can properly vent, the vent cap must be kept free of any debris i.e. dirt, snow, ice, rags etc.

## Automatic Pressure/Vacuum Relief Caps for Mobile Tanks



- Normally closed vent, stops fuel evaporation and airborne contaminants
- Protects tank from pressure or vacuum build-up. Relieves pressure at **7.5-9 PSI** and Vacuum at .33 HG
- Can be used as a fuel filler cap
- Pad-lockable to prevent fuel theft and tampering



200-PV-9

Male NPS	Part #
2"	<b>200-PV-9</b>

Note: To ensure that the cap can properly vent, the vent cap must be kept free of any debris i.e. dirt, snow, ice, rags etc.

Product instruction sheets and technical data can be viewed on our website at [dixonvalve.com](http://dixonvalve.com)



## FloTech™ Overfill Detection System




Overfill  
Products

All FloTech™ electronics manufactured after January 1, 2015 are covered by our 5 year warranty.

Product instruction sheets and technical data can be viewed on our website at [dixonvalve.com](http://dixonvalve.com)

# Fuel Tanker Overfill Detection

## FloTech™ Overfill Detection Products

<b>Application:</b>	<p>The overfill detection system used on petroleum cargo tanks typically consists of a sensor mounted in each tank compartment, an onboard monitor located near the bottom loading valves and an API compatible socket. The overfill system is intended to detect a pending overfill condition inside the cargo tank compartment and signal the loading rack to close the fuel supply control valve, to prevent a spill of product. These systems are required by law as part of the bottom loading system and considered a secondary emergency shut off device. The overfill system is typically triggered when the primary metering system fails to load the cargo tank compartment with the correct volume of product.</p>
<b>Standards:</b>	<p>Manufactured to American Petroleum Institute standard API RP-1004, which allows for drop in interchange ability with other brands.</p>
<b>Materials:</b>	<p>Dependent upon the component, see each product section for materials.</p>
<b>Features &amp; Benefits:</b>	<ul style="list-style-type: none"> <li>• Knowledge and experienced design: Dixon® electronic staff are seasoned veterans when it comes to overfill systems. Our employees have years of experience in electronics, manufacturing and most important, with in-the-field trouble shooting of overfill terminal and tanker installations. That is why we have focused on easy, drop-in replacement features with improved probe life, and why we have included heavy duty hardware made from premium, corrosion resistant materials.</li> <li>• Trouble free probes and sensors: FloTech™ brand probes/sensors do not use epoxy bonded prisms as a means to seal the prism. Therefore, they are not subject to malfunction due to epoxy/prism interface separation. FloTech™ brand probes/sensors incorporate a double elastomer design which seals and secures the sensitive optic prism tip. The elastomer seals are flexible allowing thermal expansion and resistance to steam cleaning and petroleum chemical attack.</li> </ul> <div data-bbox="673 877 1156 1123" data-label="Image"> </div> <ul style="list-style-type: none"> <li>• "Best in Class" technical support: Our goal is to provide the most reliable overfill components and system available on the market today. Over the years the FloTech™ brand has earned a reputation for reliable overfill components compatible with other common systems. Don't take our word on this; ask one of our many customers!</li> <li>• Easy Installation: FloTech™ brand items are shipped with easy to follow installation instructions and manuals (also available online at <a href="http://dixonvalve.com">dixonvalve.com</a> under the Resources menu, select Petroleum and Dry bulk products). If you need a little extra help call our North American toll free technical service hot line at 877.582.3569 (or from other parts of the world, dial 001-513-874-8499). In fact, call us with any overfill system questions (regardless of the brand) and we will work with you to help solve the problem. FloTech™ brand components are manufactured to be installed easily, even on other systems. We designed them to be drop-in compatible with API systems being used around the world.</li> <li>• Products in stock, delivered on time: FloTech™ brand products are stocked at Dixon® locations throughout the world. Most orders can be processed and delivered within 24 hours. We know that downtime costs you money so we do everything we can to ensure you receive your parts when you need them.</li> <li>• A great product with an unparalleled warranty: FloTech™ brand products are covered by a five year limited warranty. The warranty is part of the total system that makes FloTech™ overfill detection the best choice for you operation. See limited warranty on page 169 for details.</li> <li>• Biofuel compatible: up to E100 (100% Ethanol) and B100 (100% Bio Diesel). For detailed fuel compatibility, please refer to the chart shown on page 4. </li> </ul>

**Customer Support**  
877.582.3569

Product instruction sheets and technical data can be viewed on our website at [dixonvalve.com](http://dixonvalve.com)



Biofuel Compatible, see fuel compatibility chart on page 4 for more information.

# Fuel Tanker Overfill Detection

## FloTech™ Checkmate Overfill/Retain Plug-n-Play System



<b>Application:</b>	The reason for many overfill system breakdowns is failed or poor wiring connections. The required amperage within the overfill system is so low that any poorly wired or corroded wiring connections tend to fail (the low current cannot pass through corrosion or poor connections). To remove the possibility of wiring system problems, Dixon® has introduced the FloTech™ Plug-n-Play system, all the wire connections are prewired and tested at the factory using high quality weather proof cables and plugs. Plug-n-Play system installation takes a fraction of the time to install when compared to conventional systems, just mount all the components and simply plug them all together.
<b>Standards:</b>	Manufactured to American Petroleum Institute standard API RP-1004, which allows for interchangeability.
<b>Materials:</b>	Dependent upon the component, see each product section for materials
<b>Features &amp; Benefits:</b>	<ul style="list-style-type: none"> <li>• Prewired cables and plugs on sensors, wiring harness', onboard monitor and sockets, make it simple to install our Plug-n-Play system in much less time than conventional systems.</li> <li>• Secure and weather tight connections all the time remove the possibility of poor wiring connections. Sealed connectors pass IP67 and DIN40050 salt spray tests.</li> <li>• Easy installation: literally Plug-n-Play, just mount the components and plug them all together.</li> <li>• Biofuel compatible up to E100 (100% Ethanol) and B100 (100% bio diesel)</li> </ul>

## Monitors with Integrated Dual Sockets



### Features and Benefits:

- Integrated Optic and Thermistor dual sockets with onboard monitor all in one aluminum case
- Takes less space than utilizing separate sockets and monitor
- Prewired and factory tested with Plug-n-Play cabling and plugs, eliminates hours of manual crimped wire connections and removes the problems and worries associated with connection problems.
- Includes water-tight integrated fuse holder, all stainless steel hardware and terminal blocks prevent corrosion
- Built-in configurable high current relay output for pump or signal control
- Color coded display shows well on trailers
- Sockets come standard with FloTech™ unique guaranteed for life stainless steel wear rings.

### Available Integrated Options:

- Top (overfill) only monitoring, or both top (overfill) and bottom (retain) monitoring
- Pre-wired ground bolt
- Pre-wired pressure sensor which can be used to interlock brakes or vapor vents
- Pre-wired TIM module
- Pre-wired dual male pin power cord

Product instruction sheets and technical data can be viewed on our website at [dixonvalve.com](http://dixonvalve.com)

Biofuel Compatible 

# Fuel Tanker Overfill Detection

## FloTech™ Checkmate Overfill/Retain Plug-n-Play System Monitors with Integrated Dual Sockets (continued)



Part #	Plug-n-Play Connections		Available Accessories Installed					Sockets	
	Top Overfill Detection	Bottom Retain Detection	Ground Bolt	Pressure Sensor Switch	TIM Module	Dual Male Pin - Power Cord	Stainless Steel 'Guaranteed for Life' Wear Rings	Optic	Thermistor
<i>FT208-390P</i>	✓						✓	6 contact pins, 3 "J" slots	10 contact pins, 4 "J" slots
<i>FT208-390PG</i>	✓		✓				✓		
<i>FT208-390PGS</i>	✓		✓	✓			✓		
<i>FT208-390PGST</i>	✓		✓	✓	✓		✓		
<i>FT208-390PGT</i>	✓		✓		✓		✓		
<i>FT208-390PGSO</i>	✓		✓	✓		✓	✓		
<i>FT208-390PGSTO</i>	✓		✓	✓	✓	✓	✓		
<i>FT208-390PP</i>	✓	✓					✓		
<i>FT208-390PPG</i>	✓	✓	✓				✓		
<i>FT208-390PPGS</i>	✓	✓	✓	✓			✓		
<i>FT208-390PPGST</i>	✓	✓	✓	✓	✓		✓		
<i>FT208-390PPGT</i>	✓	✓	✓		✓		✓		
<i>FT208-390PPGSO</i>	✓	✓	✓	✓		✓	✓		
<i>FT208-390PPGSTO</i>	✓	✓	✓	✓	✓	✓	✓		
<i>FT208-391P</i>	✓						✓	6 contact pins, 4 "J" slots	10 contact pins, 4 "J" slots
<i>FT208-391PG</i>	✓		✓				✓		
<i>FT208-391PGS</i>	✓		✓	✓			✓		
<i>FT208-391PGST</i>	✓		✓	✓	✓		✓		
<i>FT208-391PGT</i>	✓		✓		✓		✓		
<i>FT208-391PP</i>	✓	✓					✓		
<i>FT208-391PPG</i>	✓	✓	✓				✓		
<i>FT208-391PPGS</i>	✓	✓	✓	✓			✓		
<i>FT208-391PPGST</i>	✓	✓	✓	✓	✓		✓		
<i>FT208-391PPGT</i>	✓	✓	✓		✓		✓		

See pages 137 for repair kits and replacement parts.

Product instruction sheets and technical data can be viewed on our website at [dixonvalve.com](http://dixonvalve.com)



Biofuel Compatible



# Fuel Tanker Overfill Detection

## FloTech™ Checkmate Overfill / Retain Plug-n-Play System Stand Alone Monitors



### Features and Benefits:

- Prewired and factory tested with Plug-n-Play cabling and plugs, eliminates hours of manual crimped wire connections, and removes the problems and worries associated with connection problems.
- Includes water-tight integrated fuse holder, all stainless steel hardware and terminal block within the aluminum housing.
- High tech color coded display shows well on trailers
- Monitors include advanced diagnostic capabilities as well as signal translation abilities for all socket types (optic, thermistor or float). The system offers true load at any rack compatibility.

### Available Integrated Options:

- Top (overfill) only monitoring, or both top (overfill) and bottom (retain) monitoring

Part #	Description
<b>FT208P</b>	Checkmate monitor with Plug-n-Play connectors, top overfill protection only
<b>FT208PP</b>	Checkmate monitor with Plug-n-Play connectors, top overfill and bottom retain detection
<b>FT208PPC</b>	Checkmate monitor with Plug-n-Play connectors, top overfill and bottom retain detection, for Canadian 'B' trains
<b>FT208PSS</b>	Checkmate monitor with Plug-n-Play connectors, dual pressure switches
<b>FT208LCM</b>	Checkmate monitor with Plug-n-Play connectors, dual pressure switches
<b>FT295</b>	Alarm interface module assembly

See page 138 for repair kits and replacement parts.

## Stand Alone Socket Assemblies



FT390PG-20

### Features and Benefits:

- Prewired and factory tested with Plug-n-Play cabling and plugs, eliminates hours of manual crimped wire connections, and removes the problems and worries associated with connection problems.
- Aluminum housings, with either aluminum hardcoat or stainless steel wear rings, stainless steel contact pins.
- Dual and triple socket assemblies **take less space** than multiple single sockets.

### Available Integrated Options:

- Pre-wired internal ground wire (dual or triple socket assemblies)
- Pre-wired TIM module (dual or triple socket assemblies)
- FT300P and FT301P sockets are available with FloTech™ unique guaranteed for life stainless steel wear rings as options. Plug-n-Play dual and triple sockets come standard with guaranteed for life stainless steel wear rings.

Part #	Description
<b>FT300P</b>	Single socket with Plug-n-Play connector. API Optic, 6 contact pins and 3 J slots (U.S.)
<b>FT300PG</b>	Single socket with Plug-n-Play connector. API Optic, 6 contact pins and 3 J slots (U.S.). With internal ground wire.
<b>FT301P</b>	Single socket with Plug-n-Play connector. API Thermistor, 8 contact pins and 4 J slots (U.S.)
<b>FT306P</b>	Single socket with Plug-n-Play connector. Optic J560 type
<b>FT390PG-20</b>	Dual socket assembly with Plug-n-Play connector on 20 ft cable. API Optic, 6 contact pins and 3 J slots, and Thermistor, 10 contact pins and 4 J slots. Internal ground wire. Guaranteed for life stainless steel wear rings included. (U.S.)
<b>FT394P</b>	Triple socket assembly with Plug-n-Play connector. API Optic, 6 contact pins and 3 J slots, Thermistor, 10 contact pins and 4 J slots, and Optic J560 type. Guaranteed for life stainless steel wear rings included. (U.S.)
<b>FT394PG</b>	Triple socket assembly with Plug-n-Play connector. API Optic, 6 contact pins and 3 J slots, Thermistor, 10 contact pins and 4 J slots, and Optic J560 type. With internal ground wire. Guaranteed for life stainless steel wear rings included. (U.S.)
<b>FT394VP</b>	Triple socket assembly in a vertical socket arrangement with Plug-n-Play connector. API Optic, 6 contact pins and 3 J slots, Thermistor, 10 contact pins and 4 J slots, and Optic J560 type. Guaranteed for life stainless steel wear rings included. (U.S.)
<b>FT394VPG</b>	Triple socket assembly in a vertical socket arrangement with Plug-n-Play connector. API Optic, 6 contact pins and 3 J slots, Thermistor, 10 contact pins and 4 J slots, and Optic J560 type. With internal ground wire. Guaranteed for life stainless steel wear rings included. (U.S.)
<b>FT395P-20</b>	Triple socket assembly with Plug-n-Play connector on 20' cable. Optic, 6 contact pins and 4 J slots, Thermistor, 10 contact pins and 4 J slots, and Optic J560 type. Guaranteed for life stainless steel wear rings included. (Canada)
<b>FT395PG-20</b>	Triple socket assembly with Plug-n-Play connector on 20' cable. Optic, 6 contact pins and 4 J slots, Thermistor, 10 contact pins and 4 J slots, and Optic J560 type. With internal ground wire. Guaranteed for life stainless steel wear rings included. (Canada)
<b>FT391P-20</b>	Dual socket Plug-n-Play assembly with 4-J slots; 20 feet of Plug-n-Play cable
<b>FT391PG-20</b>	Dual socket Plug-n-Play assembly with 4-J slots and internal ground wire; 20 feet of Plug-n-Play cable

See pages 139 - 144 for repair kits and replacement parts.

Product instruction sheets and technical data can be viewed on our website at [dixonvalve.com](http://dixonvalve.com)  
Biofuel Compatible 

# Fuel Tanker Overfill Detection

## FloTech™ Checkmate Overfill/Retain Plug-n-Play System Overfill Sensors



### Features and Benefits:

- Overfill detection sensors are intended to detect a pending overfill condition inside the fuel tank compartment. When they are wetted (come in contact with the fuel) they signal the fuel loading rack to close the fuel supply control valve, to prevent a spill of product.
- Prewired and factory tested with Plug-n-Play cabling and plugs, eliminates hours of manual crimped wire connections, and removes the problems and worries associated with connection problems. Easy to install, just mount the housing into the tank and plug the cables together.
- Trouble free probes: FloTech™ brand probes incorporate a double elastomer design which seals and secures the sensitive glass optic prism tip. The elastomer seals are flexible allowing thermal expansion and resistance to steam cleaning and petroleum chemical attack.
- Custom lengths available upon request
- The FT151P series sensor housing contains a Plug-n-Play probe in a cast aluminum housing. The sensor housing has a 2" NPT mounting thread, heavy duty stainless steel hardware, and FKM probe seal. Install into either a 2" NPT threaded port or a 2 $\frac{3}{8}$ " diameter tank opening using the gasket and locking nut provided. All screws and rings are heavy duty stainless steel for easy assembly and long life.

Part #	Description
<b>FT151P</b>	Housing with 7" Plug-n-Play overfill detection probe, with Plug-n-Play harness connector
<b>FT151P-12</b>	Housing with 12" Plug-n-Play overfill detection probe, with Plug-n-Play harness connector
<b>FT151P-18</b>	Housing with 18" Plug-n-Play overfill detection probe, with Plug-n-Play harness connector

### Replacement Probes

Part #	Description
<b>FT150P</b>	Replacement 7" Plug-n-Play probe with Plug-n-Play harness connector
<b>FT150P-12</b>	Replacement 12" Plug-n-Play probe with Plug-n-Play harness connector
<b>FT150P-18</b>	Replacement 18" Plug-n-Play probe with Plug-n-Play harness connector

See page 145 and 147 for repair kits and replacement parts.

### Retain Sensors



### Features and Benefits:

- Retain sensors inform the loading terminal if the tank compartments are empty, or if there is product left in the tank prior to re-loading the tank (product has been retained).
- Prewired and factory tested with Plug-n-Play cabling and plugs, eliminates hours of manual crimped wire connections, and removes the problems and worries associated with connection problems. Easy to install, just mount the housing into the tank and plug the cables together.
- Trouble Free Probes: FloTech™ brand probes/sensors incorporate a double elastomer design which seals and secures the sensitive optic prism tip. The elastomer seals are flexible allowing thermal expansion and resistance to steam cleaning and petroleum chemical attack.
- The FT152 sensor is a bottom retain detection sensor. Sensor is shipped with a 1/2" NPT weld-on aluminum half coupling for mounting. The main sensor portion is stainless steel to prevent galling in the tank. The wiring box is plastic to prevent corrosion.

Part #	Description
<b>FT152P</b>	Housing with Plug-n-Play retain probe, with Plug-n-Play harness connector

See page 146 and 148 for repair kits and replacement parts.

Product instruction sheets and technical data can be viewed on our website at [dixonvalve.com](http://dixonvalve.com)



Biofuel Compatible

# Fuel Tanker Overfill Detection

## FloTech™ Checkmate Overfill/Retain Plug-n-Play System Wiring Harnesses




### Features and Benefits:

- Prewired and factory tested with Plug-n-Play cabling and plugs, eliminates hours of manual crimped wire connections, and removes the problems and worries associated with connection problems. Easy to install, just mount all the components (sensors, sockets, monitors) onto the tank and plug them into the preconfigured harness.
- Plug-n-Play cable harnesses come preconfigured for the type of tank (truck mounted tanks or for full length tank trailers) the number of tank compartments, standard harnesses have been designed to fit most standard tank configurations.
- Custom length harnesses are available.
- Secure and weather tight connections all the time, remove the possibility of poor wiring connections. Sealed connectors pass IP67 and DIN40050 salt spray tests.

Part #	Description
<b>Overfill detection Plug-n-Play cable harnesses for full length tank trailers</b>	
<b>FT20801</b>	One compartment tank trailer. Overfill detection (top) cable harness with Plug-n-play connections
<b>FT20802</b>	Two compartment tank trailer. Overfill detection (top) cable harness with Plug-n-play connections
<b>FT20803</b>	Three compartment tank trailer. Overfill detection (top) cable harness with Plug-n-play connections
<b>FT20804</b>	Four compartment tank trailer. Overfill detection (top) cable harness with Plug-n-play connections
<b>FT20805</b>	Five compartment tank trailer. Overfill detection (top) cable harness with Plug-n-play connections
<b>FT20806</b>	Six compartment tank trailer. Overfill detection (top) cable harness with Plug-n-play connections
<b>Retain detection Plug-n-Play cable harnesses for full length tank trailers</b>	
<b>FT20801S</b>	One compartment tank trailer. Retain (bottom) cable harness with Plug-n-play connections
<b>FT20802S</b>	Two compartment tank trailer. Retain (bottom) cable harness with Plug-n-play connections
<b>FT20803S</b>	Three compartment tank trailer. Retain (bottom) cable harness with Plug-n-play connections
<b>FT20804S</b>	Four compartment tank trailer. Retain (bottom) cable harness with Plug-n-play connections
<b>FT20805S</b>	Five compartment tank trailer. Retain (bottom) cable harness with Plug-n-play connections
<b>FT20806S</b>	Six compartment tank trailer. Retain (bottom) cable harness with Plug-n-play connections
<b>Overfill detection Plug-n-Play cable harnesses for truck mounted tanks</b>	
<b>FT20801TWS</b>	One compartment truck mounted tank. Overfill detection (top) cable harness with Plug-n-play connections
<b>FT20802TWS</b>	Two compartment truck mounted tank. Overfill detection (top) cable harness with Plug-n-play connections
<b>FT20803TWS</b>	Three compartment truck mounted tank. Overfill detection (top) cable harness with Plug-n-play connections
<b>FT20804TWS</b>	Four compartment truck mounted tank. Overfill detection (top) cable harness with Plug-n-play connections
<b>FT20805TWS</b>	Five compartment truck mounted tank. Overfill detection (top) cable harness with Plug-n-play connections
<b>FT20806TWS</b>	Six compartment truck mounted tank. Overfill detection (top) cable harness with Plug-n-play connections

Product instruction sheets and technical data can be viewed on our website at [dixonvalve.com](http://dixonvalve.com)

Biofuel Compatible 

# Fuel Tanker Overfill Detection

## Checkmate Overfill Detection Systems (Top Detection Only)

### Features & Benefits:

- FloTech™ brand overfill system kits provide everything needed to install a new overfill system on your tank. One to eight compartment kits are available from our inventory. Systems include: 1 FT208 monitor, 1 FT151 overfill sensor per compartment, FT404 cable and FT402 strain reliefs (cable glands).
- Other probe lengths are available



Part #	Description
<b>FT2801</b>	Checkmate, 1 compartment system (top only) - 7" probes
<b>FT2802</b>	Checkmate, 2 compartment system (top only) - 7" probes
<b>FT2803</b>	Checkmate, 3 compartment system (top only) - 7" probes
<b>FT2804</b>	Checkmate, 4 compartment system (top only) - 7" probes
<b>FT2805</b>	Checkmate, 5 compartment system (top only) - 7" probes
<b>FT2806</b>	Checkmate, 6 compartment system (top only) - 7" probes
<b>FT2807</b>	Checkmate, 7 compartment system (top only) - 7" probes
<b>FT2808</b>	Checkmate, 8 compartment system (top only) - 7" probes
<b>FT2801-12</b>	Checkmate, 1 compartment system (top only) - 12" probes
<b>FT2802-12</b>	Checkmate, 2 compartment system (top only) - 12" probes
<b>FT2803-12</b>	Checkmate, 3 compartment system (top only) - 12" probes
<b>FT2804-12</b>	Checkmate, 4 compartment system (top only) - 12" probes
<b>FT2805-12</b>	Checkmate, 5 compartment system (top only) - 12" probes
<b>FT2806-12</b>	Checkmate, 6 compartment system (top only) - 12" probes
<b>FT2807-12</b>	Checkmate, 7 compartment system (top only) - 12" probes
<b>FT2808-12</b>	Checkmate, 8 compartment system (top only) - 12" probes

Please refer to chart on pages 68 - 71 for cross references to other manufacturer part numbers.

## FloTech™ Checkmate Overfill/Retain Black and White 2 Wire System Checkmate Overfill and Retain Detection Systems

### Features and Benefits:

- FloTech™ brand overfill system kits provide everything needed to install a new overfill system on your tank. One to eight compartment kits are available from our inventory. Systems include: 1 FT208 monitor, 1 FT151 overfill sensor and 1 FT152 retain sensor per compartment, FT404-150 cable and FT403 strain reliefs (cable glands).
- Other probe lengths are available



Part #	Description
<b>FT2811</b>	Checkmate, 1 compartment system (overfill & retain) - 7" probes
<b>FT2812</b>	Checkmate, 2 compartment system (overfill & retain) - 7" probes
<b>FT2813</b>	Checkmate, 3 compartment system (overfill & retain) - 7" probes
<b>FT2814</b>	Checkmate, 4 compartment system (overfill & retain) - 7" probes
<b>FT2815</b>	Checkmate, 5 compartment system (overfill & retain) - 7" probes
<b>FT2816</b>	Checkmate, 6 compartment system (overfill & retain) - 7" probes
<b>FT2817</b>	Checkmate, 7 compartment system (overfill & retain) - 7" probes
<b>FT2818</b>	Checkmate, 8 compartment system (overfill & retain) - 7" probes
<b>FT2811-12</b>	Checkmate, 1 compartment system (overfill & retain) - 12" probes
<b>FT2812-12</b>	Checkmate, 2 compartment system (overfill & retain) - 12" probes
<b>FT2813-12</b>	Checkmate, 3 compartment system (overfill & retain) - 12" probes
<b>FT2814-12</b>	Checkmate, 4 compartment system (overfill & retain) - 12" probes
<b>FT2815-12</b>	Checkmate, 5 compartment system (overfill & retain) - 12" probes
<b>FT2816-12</b>	Checkmate, 6 compartment system (overfill & retain) - 12" probes
<b>FT2817-12</b>	Checkmate, 7 compartment system (overfill & retain) - 12" probes
<b>FT2818-12</b>	Checkmate, 8 compartment system (overfill & retain) - 12" probes

Please refer to chart on pages 68 - 71 for cross references to other manufacturer part numbers.

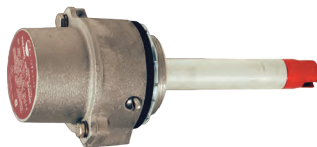


# Fuel Tanker Overfill Detection

## FloTech™ Checkmate Overfill/Retain Black & White 2 Wire System Monitor, Overfill Sensors, Replacement Probes and Retain Sensors



FT208



FT151



FT152

### Checkmate Onboard Monitors

#### Features and Benefits:

- Easy to follow programming guide for up to eight compartments top only or top and bottom service with the same monitor
- Monitor can be programmed up to 100,000 times without sending it back to the factory
- Stainless steel terminal blocks resist rusting of contacts
- Stainless steel hardware is used on all products
- Powder coated color matched components for exceptional appearance
- Auxiliary input for Hobbs type switches
- Power control relay output
- Drop-in compatibility with competitors products, see compatibility chart on pages 61 - 64.
- Wide input power 12-24 VDC
- Monitors include advanced diagnostic capabilities as well as signal translation abilities for all socket types (optic, thermistor or float). The system offers true load at any rack compatibility.

#### Available integrated options:

- Optional FloTech™ feature (patent pending) is only available on Checkmate model onboard monitors. Data Link™ gives maintenance staff the ability to download the performance and diagnostic history of the overfill system. Plug the FloTech™ hand-held diagnostic terminal, into the Checkmate monitor and download to your PC. A time and date stamped report is generated, showing the history of every wetted or failed sensor, rack connection, auxiliary input and load/unload data.

See page 151 for repair kits and replacement parts.  
Please refer to chart on pages 68 - 71 for cross references to other manufacturer part numbers.

Part #	Description
<b>FT208</b>	Checkmate programable monitor and housing
<b>FT207</b>	Checkmate programable replacement monitor only (no housing)

### Overfill Detection Sensors

#### Features and Benefits:

- The FloTech™ thermo-optic 2 wire probe is electronically and mechanically compatible for drop-in replacement of other commonly used 2-wire probes with black and white wires. Providing the fast response and reliability of optic technology in a thermistor application.
- Custom probe lengths available upon request
- The sensor housing contains a black and white 2 wire probe in a cast aluminum housing. The sensor housing has a 2" NPT mounting thread, heavy duty stainless steel hardware, and FKM probe seal. Install into either a 2" NPT threaded port or 2 3/8" diameter tank opening using the gasket and locking nut provided.

Part #	Description
<b>FT151</b>	Housing with 7" black and white 2 wire overfill detection probe
<b>FT151-12</b>	Housing with 12" black and white 2 wire overfill detection probe
<b>FT151-18</b>	Housing with 18" black and white 2 wire overfill detection probe

### Replacement Probes

Part #	Description
<b>FT150</b>	Replacement 7" black and white 2 wire overfill detection probe
<b>FT150-12</b>	Replacement 12" black and white 2 wire overfill detection probe
<b>FT150-18</b>	Replacement 18" black and white 2 wire overfill detection probe

### Retain Sensors

#### Features and Benefits:

- Retain sensors inform the loading terminal if the tank compartments are empty, or if there is product left in the tank prior to re-loading the tank (product has been retained).
- Sensor is shipped with a 1/2" NPT weld-on aluminum half coupling for mounting. The main sensor portion is stainless steel to prevent galling in the tank. The wiring box is nylon to prevent corrosion and is removable to facilitate installation. Our three port housing design is compatible with previous inline and parallel dual port housing.

Part #	Description
<b>FT152</b>	Housing with black and white 2 wire retain probe (see page 146 and 148 for repair kits and replacement parts)

Product instruction sheets and technical data can be viewed on our website at [dixonvalve.com](http://dixonvalve.com)

Biofuel Compatible



# Fuel Tanker Overfill Detection

## FloTech™ R/OM Type Overfill Detection Systems (Top Detection Only)



### Features and Benefits:

- FloTech™ brand overfill system kits provide everything needed to install a new overfill system on your tank. One to six compartment kits are available from our inventory. Systems include: 1 FT204P monitor, 1 FT202 overfill sensor per compartment, FT401 (100') cable and FT402 (20 pieces) strain reliefs (cable glands). Sockets, inline fuse and instruction booklet sold separately.
- Other probe lengths are available

Part #	Description
<b>FT2101</b>	R/OM type, 1 compartment system (top only) - 7" probes
<b>FT2102</b>	R/OM type, 2 compartment system (top only) - 7" probes
<b>FT2103</b>	R/OM type, 3 compartment system (top only) - 7" probes
<b>FT2104</b>	R/OM type, 4 compartment system (top only) - 7" probes
<b>FT2105</b>	R/OM type, 5 compartment system (top only) - 7" probes
<b>FT2106</b>	R/OM type, 6 compartment system (top only) - 7" probes
<b>FT2101-12</b>	R/OM type, 1 compartment system (top only) - 12" probes
<b>FT2102-12</b>	R/OM type, 2 compartment system (top only) - 12" probes
<b>FT2103-12</b>	R/OM type, 3 compartment system (top only) - 12" probes
<b>FT2104-12</b>	R/OM type, 4 compartment system (top only) - 12" probes
<b>FT2105-12</b>	R/OM type, 5 compartment system (top only) - 12" probes
<b>FT2106-12</b>	R/OM type, 6 compartment system (top only) - 12" probes

## FloTech™ R/OM Type Overfill and Retain Red and Black 2 Wire Systems



### Features and Benefits:

- FloTech™ brand overfill system kits provide everything needed to install a new overfill system on your tank. One to six compartment kits are available from our inventory. Systems include: 1 FT204P monitor, 1 FT202 overfill sensor and 1 FT206 retain sensor per compartment, FT401 (100') cable and FT403 (30 pieces) strain reliefs (cable glands). Sockets, inline fuse and instruction booklet sold separately.
- Other probe lengths are available

Part #	Description
<b>FT2001</b>	R/OM type, 1 compartment system (overfill and retain) - 7" probes
<b>FT2002</b>	R/OM type, 2 compartment system (overfill and retain) - 7" probes
<b>FT2003</b>	R/OM type, 3 compartment system (overfill and retain) - 7" probes
<b>FT2004</b>	R/OM type, 4 compartment system (overfill and retain) - 7" probes
<b>FT2005</b>	R/OM type, 5 compartment system (overfill and retain) - 7" probes
<b>FT2006</b>	R/OM type, 6 compartment system (overfill and retain) - 7" probes
<b>FT2001-12</b>	R/OM type, 1 compartment system (overfill and retain) - 12" probes
<b>FT2002-12</b>	R/OM type, 2 compartment system (overfill and retain) - 12" probes
<b>FT2003-12</b>	R/OM type, 3 compartment system (overfill and retain) - 12" probes
<b>FT2004-12</b>	R/OM type, 4 compartment system (overfill and retain) - 12" probes
<b>FT2005-12</b>	R/OM type, 5 compartment system (overfill and retain) - 12" probes
<b>FT2006-12</b>	R/OM type, 6 compartment system (overfill and retain) - 12" probes

# Fuel Tanker Overfill Detection

## FloTech™ R/OM Type Onboard Monitors and Overfill Sensors



FT204P



FT202

### Checkmate R/OM Type Onboard Monitors

#### Features and Benefits:

- Easy to follow programming guide for up to six compartments top only or top and bottom service with the same monitor
- Monitor can be programmed up to 100,000 times without sending it back to the factory.
- As the monitor is programmed for the number of compartments, terminators are not required.
- Stainless steel terminal blocks resist rusting of contacts
- Stainless steel hardware is used on all products
- Powder coated color matched components for exceptional appearance
- Auxiliary input
- Wide input power 12-24 VDC
- Drop-in compatibility with competitors products, see compatibility chart on pages 68 - 71.
- Monitors include advanced diagnostic capabilities as well as signal translation abilities for all socket types (optic, thermistor or float). The system offers true load at any rack compatibility.

Part #	Description
<b>FT204P</b>	FloTech™ R/OM type programable monitor and housing.
<b>FT203P</b>	FloTech™ R/OM type programable replacement monitor only (no housing)
<b>FT203P-SPEC</b>	FloTech™ R/OM type programable replacement monitor with 8-hole cover (no housing)

### FloTech™ R/OM Type Overfill Sensors

#### Features and Benefits:

- Overfill detection sensors are intended to detect a pending overfill condition inside the fuel tank compartment. When they are wetted (come in contact with the fuel) they signal the fuel loading rack to close the fuel supply control valve, to prevent a spill of product.
- The FloTech™ optic 2 wire probe is electronically and mechanically compatible for drop-in replacement of other commonly used 2-wire probes with red and black wires, such as the Civacon ROM system.
- All FloTech™ brand probes are trouble free probes they come with a unique dual elastomer seal for the glass optic prisms. The elastomer seals are flexible allowing thermal expansion and resistance to steam cleaning and temperature changes, along with resistance to petroleum chemical attack. The replacement probes have a smooth tapered tip design for easy replacement installation into the sensor housing without gasket damage.
- Custom probe lengths available upon request
- The sensor housing contains a red and black 2 wire probe, in a cast aluminum housing. The sensor housing has a 2" NPT mounting thread, heavy duty stainless steel hardware, and FKM probe seal. Install into either a 2" NPT threaded port or 2 3/8" diameter tank opening using the gasket and locking nut provided. All screws and rings are heavy duty stainless steel for easy assembly and long life.

Part #	Description
<b>FT202</b>	Housing with 7" red and black 2 wire overfill detection probe
<b>FT202-12</b>	Housing with 12" red and black 2 wire overfill detection probe
<b>FT202-18</b>	Housing with 18" red and black 2 wire overfill detection probe

### Replacement Probes

Part #	Description
<b>FT201</b>	Replacement 7" red and black 2 wire overfill detection probe
<b>FT201-12</b>	Replacement 12" red and black 2 wire overfill detection probe
<b>FT201-18</b>	Replacement 18" red and black 2 wire overfill detection probe

See page 147 for repair kits and replacement parts.

Please refer to chart on pages 68 - 71 for cross references to other manufacturer part numbers.

# Fuel Tanker Overfill Detection

## FloTech™ R/OM Type Overfill/Retain Red and Black 2 Wire Systems

### Retain Sensors



#### Features and Benefits:

- The FT206 is a retain detection sensor shipped with a 1/2" NPT weld-on aluminum half coupling for mounting. The main portion is stainless steel to prevent galling in the tank. The wiring box is plastic to prevent corrosion and is removable to facilitate installation. The side ports come out of the same side (like the overfill sensors) to make wiring easier. The FT206 is compatible with Civacon model 1000 and the Civacon R/OM System. Our three port housing design is compatible with previous inline and parallel dual port housings.
- Trouble free probes: FloTech™ brand probes/sensors incorporate a double elastomer design which seals and secures the sensitive optic prism tip. The elastomer seals are flexible allowing thermal expansion and resistance to steam cleaning and petroleum chemical attack.

Part #	Description
<b>FT206</b>	Housing with red and black 2 wire retain probe


See page 148 for repair kits and replacement parts.

Please refer to chart on pages 68 - 71 for cross references to other manufacturer part numbers.



# Fuel Tanker Overfill Detection

## FloTech™ API Optic 5 Wire Overfill Detection Systems

Application:	The FloTech™ API Optic 5 wire system is perfectly suited for both new and existing tank installations. The components have a long list of features which make them more reliable than competitor products; the result is years of trouble free service. The FloTech™ API Optic 5 wire system is a conventionally wired system, which requires wiring connections to be made using crimp connectors. If a simple plug together system is desired, please see our Checkmate Plug-n-Play system as shown on pages 36 - 40.
Standards:	Compatible with the Scully brand 5 wire optic system. The components are drop-in replacements and compatible with the signal format required by Scully brand API Optic 5 wire on-board monitors.
Materials:	Dependent upon the component, see each product section for materials
Features & Benefits:	<ul style="list-style-type: none"> <li>• See the features and benefits of each of the system components</li> <li>• Biofuel compatible up to E100 (100% Ethanol) and B100 (100% bio diesel) </li> </ul>

## FloTech™ API Optic Overfill 5 Wire Systems (Top Detection Only)



### Features and Benefits:

- FloTech™ brand overfill system kits provide everything needed to install a new overfill system on your tank. One to six compartment kits are available from our inventory. System includes: 1 FT103 monitor, 1 FT101 overfill sensor per compartment, FT400 cable and FT402 strain reliefs (cable glands).
- Other probe lengths are available

Part #	Description
<b>FT1001</b>	API optic 5 wire, 1 compartment overfill detection system (top only) - 7" probes
<b>FT1002</b>	API optic 5 wire, 2 compartment overfill detection system (top only) - 7" probes
<b>FT1003</b>	API optic 5 wire, 3 compartment overfill detection system (top only) - 7" probes
<b>FT1004</b>	API optic 5 wire, 4 compartment overfill detection system (top only) - 7" probes
<b>FT1005</b>	API optic 5 wire, 5 compartment overfill detection system (top only) - 7" probes
<b>FT1006</b>	API optic 5 wire, 6 compartment overfill detection system (top only) - 7" probes
<b>FT1001-12</b>	API optic 5 wire, 1 compartment overfill detection system (top only) - 12" probes
<b>FT1002-12</b>	API optic 5 wire, 2 compartment overfill detection system (top only) - 12" probes
<b>FT1003-12</b>	API optic 5 wire, 3 compartment overfill detection system (top only) - 12" probes
<b>FT1004-12</b>	API optic 5 wire, 4 compartment overfill detection system (top only) - 12" probes
<b>FT1005-12</b>	API optic 5 wire, 5 compartment overfill detection system (top only) - 12" probes
<b>FT1006-12</b>	API optic 5 wire, 6 compartment overfill detection system (top only) - 12" probes

Please refer to chart on pages 68 - 71 for cross references to other manufacturer part numbers.

Product instruction sheets and technical data can be viewed on our website at [dixonvalve.com](http://dixonvalve.com)

Biofuel Compatible 



# Fuel Tanker Overfill Detection

## FloTech™ API Optic 5 Wire System Onboard Monitor



### Features and Benefits:

- Stainless steel terminal blocks resist rusting of contacts
- Stainless steel hardware is used on all products
- Powder coated color matched components for exceptional appearance
- Drop-in compatibility with competitors products, see compatibility chart on pages 58 - 62.
- Signal translation ability, allows the connection all socket types (optic, thermistor or float). The system offers true load at any rack compatibility.

Part #	Description
<b>FT103</b>	FloTech™ API Optic 5 wire monitor and housing
<b>FT102</b>	FloTech™ API Optic 5 wire replacement monitor only (no housing)

See page 149 for repair kits and replacement parts

## FloTech™ API Optic 5 Wire Overfill Detection System Overfill Sensors



### Features and Benefits:

- The FloTech™ API optic 5 wire probe is electronically and mechanically compatible for drop-in replacement of other commonly used 5 wire probes.
- Custom probe lengths available upon request
- The sensor housing contains a 5 wire probe, in a cast aluminum housing. The sensor housing has a 2" NPT mounting thread, heavy duty stainless steel hardware, and FKM probe seal. Install into either a 2" NPT threaded port or 2 $\frac{3}{8}$ " diameter tank opening using the gasket and locking nut provided.

Part #	Description
<b>FT101</b>	Housing with 7" - 5 wire overfill detection probe
<b>FT101-12</b>	Housing with 12" - 5 wire overfill detection probe
<b>FT101-18</b>	Housing with 18" - 5 wire overfill detection probe

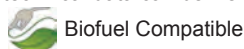
### Replacement Probes

Part #	Description
<b>FT100</b>	Replacement 7" - 5 wire overfill detection probe
<b>FT100-12</b>	Replacement 12" - 5 wire overfill detection probe
<b>FT100-18</b>	Replacement 18" - 5 wire overfill detection probe

See page 147 for repair kits and replacement parts.

Please refer to chart on pages 68 - 71 for cross references to other manufacturer part numbers.

Product instruction sheets and technical data can be viewed on our website at [dixonvalve.com](http://dixonvalve.com)



# Fuel Tanker Overfill Detection

## Stainless Steel Black and White 2 Wire Probes and Sensor Housings



### Features and Benefits:

- The FloTech™ stainless steel probes and sensor housings are designed to be used with chemicals. All wetted services are 316 stainless or PTFE. These probes are designed to thread onto a DOT 407 tank 3" clean out nipple.
- All FloTech™ brand probes are trouble free probes, they come with a unique dual elastomer seal for the glass optic prisms. The elastomer seals are flexible allowing thermal expansion and resistance to steam cleaning and temperature changes, along with resistance to petroleum chemical attack. The replacement probes have a smooth tapered tip design for easy replacement installation into the sensor housing without gasket damage.
- **Custom probe lengths can be available by using 3/4" pipe nipples upon request**

Part #	Description
<b>FT150S</b>	7" 316 stainless steel-black and white 2 wire, overfill detection probe only (no housing)
<b>FT191S</b>	Stainless steel probe housing, 3" female NPS thread (housing only, order probe separately)

See page 148 for repair kits and replacement parts.

## Stainless Steel 5 Wire Probes and Sensor Housings




### Features and Benefits:

- The FloTech™ stainless steel probes and sensor housings are designed to be used with chemicals. All wetted services are 316 stainless or PTFE. These probes are designed to thread onto a DOT 407 tank 3" clean out nipple. Sensor length can be adjusted using 3/4" NPT pipe nipples.
- All FloTech™ brand probes are trouble free probes: they come with a unique dual elastomer seal for the glass optic prisms. The elastomer seals are flexible allowing thermal expansion and resistance to steam cleaning and temperature changes, along with resistance to petroleum chemical attack. The replacement probes have a smooth tapered tip design for easy replacement installation into the sensor housing without gasket damage.
- Custom probe lengths available upon request

Part #	Description
<b>FT100S</b>	7" 316 stainless steel 5 wire overfill detection probe only (no housing)
<b>FT191S</b>	Stainless steel probe housing, 3" female NPS thread (housing only, order probe separately)

See page 148 for repair kits and replacement parts.

Product instruction sheets and technical data can be viewed on our website at [dixonvalve.com](http://dixonvalve.com)

Biofuel Compatible 

# Fuel Tanker Overfill Detection

## Single Sockets with Aluminum Hardcoat J Slot



FT300



FT300GW



FT301



FT302

### Features and Benefits:

- Single face plate sockets have hard coated aluminum alloy J slot wear rings, these ensure a long service life. Single sockets with "guaranteed for life" stainless steel wear rings are also available.
- Stainless steel hardware and contact pins prevent corrosion
- Sockets and caps are color coded with industry standardized colors which allows for easy identification of socket type (optic sockets are blue, thermistor sockets are green, and float sockets are red, colored caps are included for optic and thermistor models only).

Part #	Description
<b>FT300</b>	Optic socket API / WOGA, 6 pin and 3 J-slots (US)
<b>FT300GW</b>	Optic Socket API / WOGA, 6 pin and 3 J-Slots with ground wire
<b>FT307</b>	Optic socket, 6 pin and 4 J-slots (Canada)
<b>FT306</b>	Optic socket, J560 pin type
<b>FT301</b>	Thermistor socket, API, 8 pin and 4 J-slots (US)
<b>FT301GW</b>	Thermistor socket, API, 8 pin and 4-J slots with ground wire
<b>FT304</b>	Thermistor socket, 10 pin and 4 J-slots (Canada, Europe)
<b>FT305</b>	Thermistor socket, J560 pin type
<b>FT302</b>	Float, API, J560 pin type socket

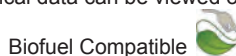
## Replacement Face Plates and Dust Caps

Part #	Description
<b>FT310</b>	API optic face plate assembly, 6 pin. 3-J slots (US) with dust cap
<b>FT317</b>	Optic pattern face plate assembly, 6 pin, 4-J slots (Canada) with dust cap
<b>FT316</b>	Optic replacement face plate, J560 type with dust cap
<b>FT311</b>	API thermistor face plate assembly, 8 pin, 4-J slots (US) with dust cap
<b>FT314</b>	Thermistor face plate assembly, 10 pin 4-J slots (Canada/Europe) with dust cap
<b>FT315</b>	Thermistor replacement face plate, J560 type with dust cap
<b>FT320</b>	Replacement blue optic dust cap
<b>FT321</b>	Replacement green thermistor dust cap

See pages 152 - 154 for repair kits and replacement parts.

Please refer to chart on pages 68 - 71 for cross references to other manufacturer part numbers.

Product instruction sheets and technical data can be viewed on our website at [dixonvalve.com](http://dixonvalve.com)



# Fuel Tanker Overfill Detection

## Single Sockets with GFL (Guaranteed for Life) Stainless Steel J Slot Wear Rings



FT300SSGW



FT301SS

### Features and Benefits:

- Available on any configuration J-slot socket
- Tougher and more corrosion resistant than any other on the market
- "Guaranteed for Life" against wear
- US patent 6,824,423

Part #	Description
<b>FT300SSGW</b>	Optic socket API / WOGA, 6 pin and 3-J slots, GFL stainless J slot wear ring with ground wire
<b>FT307SS</b>	Optic socket, 6 pin and 4 J-slots, GFL stainless J slot wear ring (Canada)
<b>FT301SS</b>	Thermistor socket, API, 8 pin and 4 J-slots, GFL stainless J slot wear ring (US)
<b>FT301SSGW</b>	Thermistor socket, API, 8 pin and 4-J slots, GFL stainless J slot wear ring with ground wire
<b>FT304SS</b>	Thermistor socket, 10 pin and 4 J-slot, GFL stainless J slot wear ring (Canada, Europe)

## Replacement Face Plates and Dust Caps

Part #	Description
<b>FT310SS</b>	API optic face plate assembly, 6 pin, 3-J slots, GFL stainless J slot wear ring (US) with dust cap
<b>FT317SS</b>	Optic pattern face plate assembly, 6 pin, 4-J slots, GFL stainless J slot wear ring (Canada) with dust cap
<b>FT311SS</b>	API thermistor face plate assembly, 8 pin, 4-J slots, GFL stainless J slot wear ring (US) with dust cap
<b>FT314SS</b>	Thermistor face plate assembly 10 pin 4-J slots, GFL stainless J slot wear ring (Canada, Europe) with dust cap
<b>FT320</b>	Replacement blue optic dust cap
<b>FT321</b>	Replacement green thermistor dust cap

See pages 152-154 for repair kits and replacement parts.

Please refer to chart on pages 68 - 71 for cross references to other manufacturer part numbers.

Product instruction sheets and technical data can be viewed on our website at [dixonvalve.com](http://dixonvalve.com)



# Fuel Tanker Overfill Detection

## EZ-Cept Double Sockets



**FT390**

### Features and Benefits:


- Stainless steel hardware and contact pins prevent corrosion.
- Sockets are color coded with industry standardized colors allowing for easy identification of socket type (optic sockets are blue, thermistor sockets are green, and float sockets are red, colored caps are included for optic and thermistor models only).
- Guaranteed for Life J-Slots: Our unique stainless steel alloy J-slot ring will probably outlast your trailer.
- Prewired ready for tank installation, no more long hours wiring and troubleshooting your socket connections. Simply bolt to the trailer and connect to the terminal block in the on board monitor.
- Internal ground wire and ID chip ready: Both internal ground wire and ID chip are normally mounted inside the EZ-Cept housing to protect from the corrosive elements. Or if desired, the bolt can be mounted to the trailer frame and the wire connected to the EZ-Cept internal wire terminal.
- Corrosion resistant hard powder coated housing, stainless steel hardware and contacts and our unique keep dry enclosure design keeps your trailer in service and corrosion at bay.
- The EZ-Cept has so many innovative features it is covered by US patent 6,824,423.

Part #	Description
<b>FT390</b>	Optic 6 pin, 3 J-slot, and thermistor 10 pin, 4 J-slot, horizontal mount, GFL stainless J slot wear rings (US)
<b>FT390V</b>	Optic 6 pin, 3 J-slot, and thermistor 10 pin, 4 J-slot, vertical mount, GFL stainless J slot wear rings (US)
<b>FT390G</b>	Optic 6 pin, 3 J-slot, and thermistor 10 pin, 4 J-slot, horizontal mount, GFL stainless J slot wear rings, internal ground wire (US)
<b>FT390GT</b>	Optic 6 pin, 3 J-slot, and thermistor 10 pin, 4 J-slot, horizontal mount, GFL stainless J slot wear rings, internal ground wire, T.I.M. chip (US)
<b>FT390T</b>	Optic 6 pin, 3 J-slot, and thermistor 10 pin, 4 J-slot, horizontal mount, GFL stainless J slot wear rings, T.I.M. chip (US)
<b>FT390-20</b>	Optic 6 pin, 3 J-slot, and thermistor 10 pin, 4 J-slot, horizontal mount, GFL stainless J slot wear rings, 20' of cable (US)
<b>FT390G-20</b>	Optic 6 pin, 3 J-slot, and thermistor 10 pin, 4 J-slot, horizontal mount, GFL stainless J slot wear rings, internal ground wire, 20' of cable (US)
<b>FT391</b>	Optic 6 pin, 4 J-slot, and thermistor 10 pin, 4 J-slot, horizontal mount, GFL stainless J slot wear rings (Canada)
<b>FT391V</b>	Optic 6 pin, 4 J-slot, and thermistor 10 pin, 4 J-slot, vertical mount, GFL stainless J slot wear rings (Canada)

See pages 155 and 156 for repair kits and replacement parts.

Please refer to chart on pages 68 - 71 for cross references to other manufacturer part numbers.

Product instruction sheets and technical data can be viewed on our website at [dixonvalve.com](http://dixonvalve.com)

Biofuel Compatible 



# Fuel Tanker Overfill Detection

## EZ-Cept Triple Sockets



**FT394**

### Features and Benefits:

- Stainless steel hardware and contact pins prevent corrosion.
- Sockets are color coded with industry standardized colors allowing for easy identification of socket type (optic sockets are blue, thermistor sockets are green, and float sockets are red, colored caps are included for optic and thermistor models only).
- Guaranteed for Life J-Slots: Our unique stainless steel alloy J-slot ring will probably outlast your trailer.
- Prewired ready for tank installation, no more long hours wiring and troubleshooting your socket connections. Simply bolt to the trailer and connect to the terminal block in the on board monitor.
- Internal ground wire and ID chip ready: Both internal ground wire and ID chip are normally mounted inside the EZ-Cept housing to protect from the corrosive elements. Or if desired, the bolt can be mounted to the trailer frame and the wire connected to the EZ-Cept internal wire terminal.
- Corrosion resistant hard powder coated housing, stainless steel hardware and contacts and our unique keep dry enclosure design keeps your trailer in service and corrosion at bay.
- The EZ-Cept has so many innovative features it is covered by US patent 6,824,423.

Part #	Description
<b>FT393</b>	Optic 6 pin, 3 J-slot, thermistor 10 pin, 4 J-slot, and float J560, horizontal mount, GFL stainless J slot wear rings (US)
<b>FT394</b>	Optic 6 pin, 3 J-slot, thermistor 10 pin, 4 J-slot, and optic J560, horizontal mount, GFL stainless J slot wear rings (US)
<b>FT394G</b>	Optic 6 pin, 3 J-slot, thermistor 10 pin, 4 J-slot, and optic J560, horizontal mount, internal ground wire, GFL stainless J slot wear rings (US)
<b>FT394V-G</b>	Optic 6 pin, 3 J-slot, thermistor 10 pin, 4 J-slot, and optic J560, vertical mount, internal ground wire, GFL stainless J slot wear rings (US)
<b>FT395</b>	Optic 6 pin, 4 J-slot, thermistor 10 pin, 4 J-slot, and optic J560, horizontal mount, GFL stainless J slot wear rings (Canada)
<b>FT395G</b>	Optic 6 pin, 4 J-slot, thermistor 10 pin, 4 J-slot, and optic J560, horizontal mount, internal ground wire, GFL stainless J slot wear rings (Canada)
<b>FT395V</b>	Optic 6 pin, 4 J-slot, thermistor 10 pin, 4 J-slot, and optic J560, horizontal mount, internal ground wire, GFL stainless J slot wear rings (Canada)
<b>FT395V-G</b>	Optic 6 pin, 4 J-slot, thermistor 10 pin, 4 J-slot, and optic J560, vertical mount, internal ground wire, GFL stainless J slot wear rings (Canada)

## Socket Cleaner



### Application:

- Used to clean dirty or corroded overfill socket contact blocks.

### Features and Benefits:

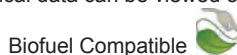
- Improves electrical connection and reduces drop out of permit signal
- Simple handheld contact cleaner
- 3M Scotch-Brite™ pad

Part #	Description
<b>FT406</b>	socket cleaner

See pages 157 and 158 for repair kits and replacement parts.

Please refer to chart on pages 68 - 71 for cross references to other manufacturer part numbers.

Product instruction sheets and technical data can be viewed on our website at [dixonvalve.com](http://dixonvalve.com)



# Fuel Tanker Overfill Detection

## Grounding Ball and Bolt



FT450



FT451



FT452



FT452-002

Part #	Description
<b>FT450</b>	Ground verification bolt
<b>FT451</b>	Ground verification ball
<b>FT452</b>	Ground wire for single sockets
<b>FT452-002</b>	Ground wire for dual sockets

**NEW**

See page 159 for repair kits and replacement parts.  
Please refer to chart on pages 68 - 71 for cross references to other manufacturer part numbers.

## FloTech™ Checkmate Overfill / Retain Black & White 2 Wire System Sensor Dummy



FT155



FT205

Part #	Description
<b>FT155</b>	Thermistor sensor dummy (each dummy adds up to 5 compartments)
<b>FT205</b>	R/OM terminator

Overfill Products

# Fuel Tanker Overfill Detection

## FloTech™ Trailer Identification Module

### Application:

- Designed as a drop in replacement for the Scully VIP module, providing you with longer life and reduced costs.

### Features and Benefits:

- FloTech™ TI Module has the same installation and serial number configuration as the Scully design.



Part #	Description
<b>FT470</b>	Trailer Identification Module

## Cables and Strain Reliefs

### Features and Benefits:

- FloTech™ cable is specially produced with tin plated wire, which when connected correctly using crimp connections, will provide years of trouble free service.



**FT400**



**FT402**

Part #	Description	System Type
<b>FT400</b>	100' of 5 conductor cable	5 wire API optic
<b>FT400-500</b>	500' of 5 conductor cable	5 wire API optic
<b>FT400-1000</b>	1000' of 5 conductor cable	5 wire API optic
<b>FT401</b>	100' of 7 conductor cable	Red and black 2 wire R/OM type
<b>FT401-150</b>	150' of 7 conductor cable	Red and black 2 wire R/OM type
<b>FT401-1000</b>	1000' of 7 conductor cable	Red and black 2 wire R/OM type
<b>FT404</b>	100' of 11 conductor cable	Black and white 2 wire Checkmate/Thermistor type
<b>FT404-150</b>	150' of 11 conductor cable	Black and white 2 wire Checkmate/Thermistor type
<b>FT404-1000</b>	1000' of 11 conductor cable	Black and white 2 wire Checkmate/Thermistor type
<b>Cable Strain Reliefs (Glands)</b>		
<b>FT402</b>	20 pc pack of strain relief fittings, ½" NPT	
<b>FT403</b>	30 pc pack of strain relief fittings, ½" NPT	
<b>FT405-500</b>	500 pc pack of strain relief fittings, ½" NPT	
<b>Cable Tools and Supplies</b>		
<b>FT9023</b>	Professional cable stripping tool	
<b>FT9024</b>	Professional cable crimping tool	
<b>FT9021</b>	100 pc pack of crimp connectors	
<b>FT9022</b>	2.8 oz tube of GE RTV103 silicone for sealing crimped wired connections	
<b>FT9025</b>	Terminal pins, 14-16 AWG, 100 pieces	

Due to the very low current used in overfill systems it's extremely important to use the correct type of cable. The use of other types of cabling often leads to failed overfill systems due mostly to corroded connections.



# Fuel Tanker Overfill Detection

## Optic System Testers

Application:	Used to trouble shoot overfill system circuits
Standards:	Will work with any optic overfill system
Materials:	Durable plastic case, heavy duty cable connectors and test leads
Features & Benefits:	The FT520 optic test kit includes a tester and test lead set to test 5 wire optic pulse, five wire optic probes, two wire optic probes, plug & play optic probes as well as onboard monitor & socket outputs. It uses the same permissive signal verification as an optic rack monitor. Optional FT521, FT522, FT523 optic test plugs are available for an entire trailer Go, No/Go test, 2 9-volt batteries (included)

Overfill Products



FT520



FT520WOGA

Part #	Description
<b>FT520</b>	Optic system tester, 5 piece set of test leads, batteries and instructions
<b>FT520CASE</b>	Optional storage case for FT520
<b>FT520WOGA</b>	Optic system tester, with FT521 API optic 6 pin and 3 J slot plug, batteries and instructions
<b>FT520WOGACASE</b>	Optional storage case for FT520WOGA
<b>FT521</b>	API optic test plug, 6 pins and 3 J slots
<b>FT522</b>	Optic test plug, 6 pins and 2 or 4 J slots (plug fits both 2 and 4 J slot sockets)
<b>FT523</b>	Optic test plug J560 type
<b>10622</b>	Plug-n-Play test lead set
<b>FT9037</b>	Replacement test lead set for FT520

## Trailer Identification Module (T.I.M.) Chip Reader



Application:	Designed to read and test Scully type T.I.M. modules mounted inside API compatible overfill sockets.
Features & Benefits:	<ul style="list-style-type: none"> <li>• Designed to read Scully T.I.M. chips</li> <li>• Solid aluminum construction</li> <li>• Backlit LCD display</li> <li>• Interchangeable optic or thermistor J-slot screws</li> <li>• Provides long battery life</li> </ul>

Part #	Description
<b>FT530</b>	FT520Optic system tester, 4 pc set of test leads, batteries and instructions

# Fuel Tanker Overfill Detection

## FloTech™ Truck Tester

<b>Application:</b>	Allows complete testing of ground bolt grounding systems. Tests ground bolt in forward and reverse just like the rack monitor.
<b>Features &amp; Benefits:</b>	<ul style="list-style-type: none"> <li>• Reads TIM modules and displays the serial number on the screen</li> <li>• Automatic mode allows all four tests, or any combination, to run for a complete test of the trailer</li> <li>• LCD screen displays the final test results and a pass/fail indication for easy rapid testing of the overfill system</li> <li>• One man "Wet Test" feature FT555 signal an audible alarm sounding a number of beeps that match the wetted sensor</li> <li>• Microprocessor controlled with designed in flexibility to expand into a number of applications</li> <li>• Requires two D cell flashlight batteries that can be changed through a side battery access door</li> </ul>



FT555



FT555PA

Part #	Description
<b>FT555</b>	Truck tester
<b>FT555PA</b>	Truck tester with handle and test leads (US)

Overfill Products

## FloTech™ FT590 Series Rack Monitor Testers and Mini Trailer Overfill System

Part #	Description
<b>FT590TG</b>	rack tester with grounding bolt
<b>FT590TGT</b>	rack tester thermistor
<b>FT590OG</b>	rack tester with ground bolt
<b>FT590OGT</b>	rack tester with ground bolt and TIM



FT590TG



# Fuel Tanker Overfill Detection

## API Compatible Loading Rack Cords

Application:	API loading rack cords are used to connect the loading rack monitor to the socket on the fuel tanker.
Standards:	Cord sets are interchangeable with Civacon and Scully
Materials:	Reinforced nylon plugs with stainless steel contact pins and hardware. Heavy duty and highly visible safety orange cord.
Features & Benefits:	<ul style="list-style-type: none"> <li>• FT600 and FT620 are compatible with API thermistor and optic configurations.</li> <li>• Cords available in coiled or straight lengths</li> <li>• Cord features a heavy highly visible safety orange jacket to meet trip hazard requirements.</li> <li>• Cord is bonded mechanically and has superior abrasion and oil resistance.</li> <li>• Plug body is color coded optic blue or thermistor green.</li> <li>• Button contacts are made from 316 stainless steel to prevent corrosion or galling</li> <li>• All wiring is compatible with standard Scully color codes and wiring number configurations.</li> <li>• The 9 pin conductor is shielded to be compatible with the Scully VIP system.</li> </ul>

## API Optic Cord Assemblies



FT620

Part #	Description
<b>FT605C</b>	API plug 6 pin optic pattern with 4 J slots and 30' coiled optic cord <b>NEW</b>
<b>FT620</b>	Blue plug with 6 contact pins and 3 J slots, on a 30' coiled orange cable
<b>FT620S</b>	Blue plug with 6 contact pins and 3 J slots, on a 20' straight orange cable
<b>FT620P</b>	Blue plug with 6 contact pins and 3 J slots on a 30' orange coiled cord and 7 pin connector aluminum J560 plug
<b>FT621</b>	Replacement blue plug assembly with 6 contact pins and 3 J slots
<b>FT622</b>	Replacement 30' orange coiled cord, Optic 6 conductor
<b>FT623</b>	Optic plug storage hanger
<b>FT624</b>	Replacement 20' orange straight cord, Optic 6 conductor

See pages 160 and 161 for repair kits and replacement parts.

Please refer to chart on pages 68 - 71 for cross references to other manufacturer part numbers.

# Fuel Tanker Overfill Detection

## API Thermistor Cord Assemblies



FT600

Part #	Description
<b>FT600</b>	Green plug with 8 contact pins and 2 J slots, on a 30' coiled orange cable
<b>FT600-4</b>	Green plug with 8 contact pins and 4 J slots, on a 30' coiled orange cable
<b>FT600P</b>	Green plug with 8 contact pins and 2 J slots on a 30' orange coiled cord and 13 pin connector nylon J560 plug
<b>FT600S</b>	Green plug with 8 contact pins and 2 J slots, on a 20' straight orange cable
<b>FT600C</b>	Green plug with 10 contact pins and 4 J slots, on a 30' coiled orange cable
<b>FT600CP</b>	Green plug with 8 contact pins and 4 J slots, on a 30' coiled orange cord and 13 pin connector nylon
<b>FT600SC</b>	Green plug with 10 contact pins and 4 J slots, on a 20' straight orange cable
<b>FT601</b>	Replacement green plug assembly with 8 contact pins and 2 J slots
<b>FT601-10</b>	Replacement green plug assembly with 10 contact pins and 4 J slots
<b>FT602</b>	Replacement 30' orange coiled cord, Thermistor 10 conductor
<b>FT603</b>	Thermistor plug storage hanger
<b>FT604</b>	Replacement 20' orange straight cord, Thermistor 10 conductor
<b>FT606</b>	Thermistor 30' coiled replacement cord (8) pin
<b>FT607</b>	Thermistor 20' straight replacement cord (8) pin

See pages 160 and 161 for repair kits and replacement parts.

Please refer to chart on pages 68 - 71 for cross references to other manufacturer part numbers.

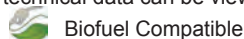
## Reelcraft® Static Discharge Reels

<b>Application:</b>	Used to ground equipment in hazardous atmospheres, such as fuel trucks or carts transferring flammable materials. When properly clamped to ground, the static discharge reel dissipates static electrical buildup, reduces chances of sparking and the potential for explosion.
<b>Features &amp; Benefits:</b>	<ul style="list-style-type: none"> <li>• Supplied with a 3/32" OD steel aircraft cable</li> <li>• DC resistance is approximately one ohm per 50' of steel cable</li> </ul>

Part #	Description
<b>G3050</b>	Single 7 x 7 stranded steel grounding wire



Product instruction sheets and technical data can be viewed on our website at [dixonvalve.com](http://dixonvalve.com)



# Fuel Tanker Overfill Detection

API Rack Cord Assemblies														
FloTech Part #	Civacon Part #	Scully Part #	API		Cord		J-Slots			Pins			Breakaway Plug	
			Thermistor	Optic	20' Straight	30' Coiled	2	3	4	6	8	10	Optic "J560" Aluminum	Thermistor 13 Pin Plastic
FT600	7300SR-7300	21818	✓			✓		✓			✓			
FT600-4	---	---	✓			✓			✓		✓			
FT600C	7300CSR-7300	31092	✓			✓			✓			✓		
FT600C-2	7300C-7300	---	✓			✓		✓				✓		
FT600P	7320SR-7320	---	✓			✓		✓			✓			✓
FT600P-4	---	---	✓			✓			✓		✓			✓
FT600S	7300-STRAIGHT	20830	✓		✓			✓			✓			
FT600SC	7300C-STRAIGHT	---	✓		✓				✓			✓		
FT600CP	---	---	✓						✓		✓			✓
FT600SP	---	---	✓					✓			✓			✓
FT605C	---	---		✓					✓	✓				
FT620	7100SR-7100	21831		✓				✓		✓				
FT620P	7100-J560	---		✓				✓		✓			✓	
FT620X620	---	---		✓				✓		✓				
FT620S	7100-STRAIGHT	21764		✓	✓			✓		✓				

API Rack Cord Parts														
FloTech Part #	Civacon Part #	Scully Part #	API		Cord		J-Slots			Pins				
			Thermistor	Optic	20' Straight	30' Coiled	2	3	4	6	8	10		
FT601	7310SR-7310	---	✓					✓				✓		
FT601-4	---	---	✓							✓		✓		
FT601-10	---	---	✓							✓				✓
FT602	---	---	✓				✓							
FT603	7350-7350	---	✓							✓				
FT604	---	---	✓		✓									
FT621	7110SR-7110	21766		✓					✓		✓			
FT622	7220-7220	31099		✓			✓		✓					
FT623	7150-7150	---		✓					✓					
FT624	---	31098		✓	✓									

# Fuel Tanker Overfill Detection

## FloTech™ FT151RL ROM Link Replacement Sensor

<b>Application:</b>	The FT151RL is designed to replace the complete ROM Link sensor assembly. Simply remove the Civacon sensor housing from the manhole lid and install the FloTech™ FT151RL or FT151RL-12. Plug the FT151RL into the wiring harness using our connector adapter and the change out is complete.
<b>Standards:</b>	Drop in replacement for the Civacon ROM Link sensors 1554-007 & 1554-0012.
<b>Materials:</b>	Aluminum housing with stainless steel hardware
<b>Features &amp; Benefits:</b>	<ul style="list-style-type: none"> <li>• Trouble free probes: FloTech™ brand probes incorporate a double elastomer design which seals and secures the sensitive glass optic prism tip. The elastomer seals are flexible allowing thermal expansion and resistance to steam cleaning and petroleum chemical attack.</li> <li>• Unlike our competitors, FloTech™ probes do not use internal coil cord connectors which consistently fail in moisture. All FloTech™ Plug-n-Play probes are prewired to our harness connector, which has proven itself in moisture.</li> <li>• FloTech™ sensor housings have a sturdy bolt on cap to better seal out water.</li> <li>• The FT151RL includes an adapter connector to permit interchange between Civacon's Rom link system and the FloTech™ FT150RL sensor.</li> <li>• Custom lengths available upon request</li> <li>• The FT151RL sensor housing contains a Plug-n-Play probe. The sensor housing has a 2" NPT mounting thread, heavy duty stainless steel hardware, and FKM probe seal. Install into either a 2" NPT threaded port or a 2-3/8" diameter tank opening using the gasket and locking nut provided. All screws and rings are heavy duty stainless steel for easy assembly and long life.</li> </ul>


**FT151RL**

**FT152RL**

Part #	Description
<b>FT151RL</b>	Housing with 7" Plug-n-Play overfill detection probe, with Plug-n-Play harness and ROM link jumper cable connector
<b>FT151RL-12</b>	Housing with 12" Plug-n-Play overfill detection probe, with Plug-n-Play harness and ROM link jumper cable connector
<b>FT152RL</b>	Retain sensor with Plug-n-Play harness and ROM link jumper cable
<b>Replacement Probes</b>	
<b>FT150P</b>	Replacement 7" Plug-n-Play probe for FT151RL only
<b>FT150P-12</b>	Replacement 12" Plug-n-Play probe for FT151RL-12 only
<b>10688</b>	Gender adapter
<b>10605PL</b>	Plug-n-Play harness to monitor connector clip

Please refer to chart on pages 68 - 71 for cross references to other manufacturer part numbers.

Product instruction sheets and technical data can be viewed on our website at [dixonvalve.com](http://dixonvalve.com)

Biofuel Compatible



# Fuel Tanker Overfill Detection

## FloTech™ Replacement Parts

Part #	Description	Refer to Page
<b>FT9000</b>	Sensor housing 2" NPT with parallel ports, complete with all hardware	140
<b>FT9000P</b>	Plug-n-Play sensor housing 2" NPT with parallel ports, complete with all hardware	138
<b>FT9001</b>	Complete sensor housing gasket and O-ring kit	138,140
<b>FT9002</b>	Complete sensor housing gasket, O-ring and hardware kit	140
<b>FT9003</b>	Replacement on-board monitor housing	142-143
<b>FT9004</b>	Replacement on-board monitor hardware kit	142-143
<b>FT9005</b>	Replacement on-board bezel five wire (FT103)	142
<b>FT9006</b>	Replacement on-board bezel two wire (FT204)	143
<b>FT9007</b>	Replacement socket rear housing	133-134, 145, 147
<b>FT9008</b>	Replacement socket contact block with pins FT300 Optic series	132, 147
<b>FT9009</b>	Replacement socket contact block with pins FT301 Thermistor series	132, 147
<b>FT9010</b>	Replacement socket contact block with 10 pins FT304 Thermistor series	147
<b>FT9011</b>	Replacement sensor housing cap with screws and lock washers	138, 140
<b>10128</b>	Replacement 2" NPT sensor housing lock nut	138, 140
<b>FT9013</b>	Replacement socket faceplate 4J slot, no contact block or hardware	132, 147
<b>FT9019</b>	Faceplate assembly to fit small Scully Load anywhere housing	---
<b>FT9020</b>	Socket pin, screw and crimp lug	132, 147
<b>FT9021</b>	Crimp connector 100 pieces per bag	55
<b>FT9022</b>	GE RTV 103 silicone rubber sealant 2.8 oz. tube	55
<b>FT9023</b>	Stripping tool for cable jacket	55
<b>FT9024</b>	Crimp tool for splice connections	55
<b>FT9025</b>	Terminal pin, 14-16 AWG 100 pieces	55
<b>FT9026</b>	Sensor flat gasket for 2" NPT through punched hole in man lid	106-107,138, 140
<b>FT9027</b>	Sensor housing probe, FKM O-ring	138, 140
<b>FT9028</b>	Gasket for Scully Go Anywhere monitor face plate	---
<b>FT9029</b>	J560 contact block, 7 way	134, 137, 145, 151
<b>FT9030</b>	Fuse holder with ¼ Amp fuse	142
<b>FT9031</b>	Fuse holder with ½ Amp fuse	143-144
<b>FT9032</b>	Socket face plate gasket	134, 145, 147



# Fuel Tanker Overfill Detection

## FloTech™ Replacement Parts (continued)

Part #	Description	Refer to Page
<b>FT9033</b>	Sensor housing, lower no hardware	140
<b>FT9034</b>	Replacement socket face plate 3 J slot, no contact block or hardware	132, 147
<b>FT9035</b>	Program module for FT204P and FT208	130, 131, 143-144
<b>FT9036</b>	FT208 replacement bezel kit	131, 144
<b>FT9037</b>	FT520 test lead set	56
<b>FT9038</b>	Fuse ¼ Amp - for FT103	142
<b>FT9039</b>	Fuse ½ Amp - for FT208 and FT204	131, 143-144
<b>FT9040</b>	Checkmate housing with lid	131, 144
<b>FT9041</b>	Replacement 3-J aluminum socket nose ring	133, 147
<b>FT9042</b>	Replacement 4-J aluminum socket nose ring	133, 147
<b>FT9043</b>	Replacement 3-J stainless socket nose ring	130, 135, 137, 147, 149, 151
<b>FT9044</b>	Replacement 4-J stainless socket nose ring	130, 135, 137, 147, 149, 151
<b>FT9045</b>	Replacement gasket for the FT208 series Checkmate lid	130, 131, 144
<b>FT9046</b>	Bag of 10 replacement socket pins	132, 147
<b>FT9049</b>	Sensor cap O-ring	138, 140
<b>FT9050</b>	Threaded half coupling ½" for retain probe	139, 141
<b>FT9051</b>	Replacement short contact block for FT390/393 Optic 6 pin	130, 135-136, 149, 151
<b>FT9052</b>	Replacement short contact block for FT390/393 Thermistor, 10 pin	130, 135-136, 149, 151
<b>FT9053</b>	Replacement gasket for bezel on monitors FT103/204P	142-143
<b>FT9054</b>	Replacement lid frame for monitors FT103/204P	142-143
<b>FT9059</b>	Replacement face plate and bezel assembly for FT204P	143
<b>FT9061</b>	Replacement contact pin for FT390/393 series socket	130, 135, 137, 147, 149, 151
<b>FT9062</b>	Nose ring assembly, therm, 4J, 10PIN contact block, pin, and hardware for FT390 & FT393	130, 135-136, 149, 151
<b>FT9063</b>	Nose ring assembly, optic, 3J, 6PIN contact block, pin, and hardware for FT390 & FT393	130, 135-136, 149, 151
<b>FT9064</b>	Bezel for FT203P-SPEC	143
<b>FT9065</b>	Bezel gasket for FT203P-SPEC	143
<b>FT9068</b>	Replacement contact block attachment screws and washers (4 each)	130, 132, 135-136, 139, 141, 147, 149, 151

# Fuel Tanker Overfill Detection

## Competitor Cross Reference Chart

Liquid Level Sensors	FloTech™ Part #	Civacon Part #	Scully Part #	Description
	<b>FT100</b>	1302-007	9209	Replacement probe, optic, 5-wire, 7" long
	<b>FT100-12</b>	1302-0012	9214	Replacement probe, optic, 5-wire, 12" long
	<b>FT100-18</b>	1302-0018	---	Replacement probe, optic, 5-wire, 18" long
	<b>FT100S</b>	1410RS-0060	---	Replacement stainless steel probe, optic, 5-wire, 7" long
	<b>FT101</b>	1112-007 / 1110-007	9208	Sensor, optic, 5-wire, 2" NPT housing, 7" probe
	<b>FT101-12</b>	1112-0012 / 1110-0012	9213	Sensor, optic, 5-wire, 2" NPT housing with 12" probe
	<b>FT101-18</b>	1112-0018 / 1110-0018	---	Sensor, optic, 5-wire, 2" NPT housing with 18" probe
	<b>FT150</b>	1651-007	9409	Replacement probe, thermo-optic, 7" long, 2-wire (black and white)
	<b>FT150-12</b>	1651-0012	9414	Replacement probe, thermo-optic, 12" long, 2-wire (black and white)
	<b>FT150-18</b>	1651-0018	---	Replacement probe, thermo-optic, 18" long, 2-wire (black and white)
	<b>FT151</b>	1551-007	9408	Sensor, thermo-optic, 2" NPT housing, 7" probe, 2-wire (black and white)
	<b>FT151-12</b>	1551-0012	9413	Sensor, thermo-optic, 2" NPT housing, 12" probe, 2-wire (black and white)
	<b>FT151-18</b>	1551-0018	---	Sensor, thermo-optic, 2" NPT housing, 18" probe, 2-wire (black and white)
	<b>FT151RL</b>	1554-007	---	Sensor, ROM Link replacement thermo-optic, 2" NPT housing, 7" probe, 2-wire (black and white)
	<b>FT151RL-12</b>	1554-012	---	Sensor, ROM Link replacement thermo-optic, 2" NPT housing, 12" probe, 2-wire (black and white)
	<b>FT152</b>	---	8819	Thermo optic retain sensor (black and white)
	<b>FT155</b>	1920-5	08298 & 08542	Thermistor dummy, 5 compartment
	<b>FT201</b>	1351-007	---	Replacement R/OM type, 7" top probe, 2-wire (red and black)
	<b>FT201-12</b>	1351-0012	---	Replacement R/OM type, 12" top probe, 2-wire (red and black)
	<b>FT201-18</b>	1351-0018	---	Replacement R/OM type, 18" top probe, 2-wire (red and black)
	<b>FT202</b>	1057-007	---	Top sensor R/OM type, 2" NPT housing, 7" probe, 2-wire (red and black)
	<b>FT202-12</b>	1057-0012	---	Top sensor R/OM type, 2" NPT housing, 12" probe, 2-wire (red and black)
	<b>FT202-18</b>	1057-0018	---	Top sensor R/OM type, 2" NPT housing, 18" probe, 2-wire (red and black)
	<b>FT206</b>	1000R & 1001R	---	Retain sensor R/OM type, 1/2" NPT sensor (red & black)
	<b>FT9000</b>	1355-1355 & 1455-1455	---	Probe housing
On-Board Monitors	FloTech™ Part #	Civacon Part #	Scully Part #	Description
	<b>FT102</b>	3150-3150	8563	Replacement module API compatible
	<b>FT103</b>	3100-3100	8687	API compatible on-board monitor, with housing
	<b>FT203P</b>	3252-3252	---	Replacement module, R/OM type on-board monitor
	<b>FT203PSPEC</b>	3250 & 3252	---	Replacement module, R/OM type on-board monitor with 8 hole cover and frame
	<b>FT204P</b>	3202-3202 & 3202R-3202	---	R/OM type on-board monitor, with housing
	<b>FT207</b>	---	09100 or 09111	Replacement module, Checkmate on-board monitor
	<b>FT208</b>	---	09109 or 09107	Checkmate programmable monitor for top, or top and bottom sensors

Civacon and R/OM are registered trademarks of Civacon / Dover Corporation

# Fuel Tanker Overfill Detection

## Competitor Cross Reference Chart (continued)

Sockets	FloTech™ Part #	Civacon Part #	Scully Part #	Description
	<b>FT300</b>	4103-4103	7974	API compatible optic socket with cap (6 pin, 3 J-slots)
	<b>FT301</b>	4400-4400	7720	API compatible thermistor socket with cap (8 pin, 2/4 J-slots)
	<b>FT302</b>	4600-4600	8116	API compatible float socket
	<b>FT303</b>	4201-4201	7976	Optic pattern with thermistor J-slots, and cap (6 pin, 2/4 J-slots) (U.S.)
	<b>FT304</b>	4403-4403	7716	Canadian / European thermistor socket with cap (10 pin, 4 J-slots)
	<b>FT305</b>	4500-4500	7681	Thermistor socket, J560 type
	<b>FT306</b>	4300-4300	8199	Optic socket, J560 type
	<b>FT307</b>	4201-4201	7976	Optic pattern with thermistor J-slots, and cap (6 pin, 2/4 J-slots) (Canada)
	<b>FT310</b>	4110-4110	21790	API optic face plate assembly with cap
	<b>FT311</b>	4111-4111	20770	API thermistor face plate assembly with cap
	<b>FT314</b>	---	20768	Canadian / European thermistor replacement face plate with cap
	<b>FT320</b>	4150-4150	8575	Blue optic dust cap
	<b>FT321</b>	4450-4450	8574	Green thermistor dust cap
	<b>FT390</b>	4820L & 4820R	9060	EZ-Cept dual socket assembly
	<b>FT390G</b>	4822L & 4822R	---	EZ-Cept dual socket assembly with ground bolt
Hardware & Systems Testers	FloTech™ Part #	Civacon Part #	Scully Part #	Description
	<b>FT400</b>	2100-2100	22056	5 conductor cable 100'
	<b>FT400-500</b>	2200-2200	---	5 conductor cable 500'
	<b>FT401</b>	2310-2310	27382	7 conductor cable 100'
	<b>FT401-1000</b>	2401-2401	---	7 conductor cable 1000'
	<b>FT401-150</b>	2300-2300	---	7 conductor cable 150'
	<b>FT402</b>	2510-2510	---	20 strain relief fittings, 1/2" NPT
	<b>FT403</b>	2530-2530	---	30 strain relief fittings, 1/2" NPT
	<b>FT450</b>	GS1000	8560	Stainless steel grounding bolt
	<b>FT451</b>	---	8274	Stainless steel grounding ball
	<b>FT470</b>	---	08836	TI module
	<b>FT520</b>	1391-1391	---	Optic system tester
	<b>FT521</b>	1396-1396	---	API optic test plug, 6 pins & 3 J slots
	<b>FT522</b>	1395-1395	---	Optic test plug, 6 pins & 2 or 4 J slots (plug fits both 2 & 4 J slot sockets)
	<b>FT523</b>	1397-1397	---	Optic test plug J560 type
	<b>FT555</b>	---	08938	Truck tester
API Rack Cords	FloTech™ Part #	Civacon Part #	Scully Part #	Description
<b>API Optic Cord Assemblies</b>				
	<b>FT620</b>	7100SR-7100	21831	Blue plug with 6 contact pins and 3 J slots, on a 30' coiled orange cable
	<b>FT620S</b>	7100-STRAIGHT	21764	Blue plug with 6 contact pins and 3 J slots, on a 20' straight orange cable
	<b>FT620P</b>	7100-J560	---	Blue plug with 6 contact pins and 3 J slots on a 30' orange coiled cord and J560 Plug
	<b>FT621</b>	7110SR-7110	21766	Replacement blue plug assembly with 6 contact pins and 3 J slots
	<b>FT622</b>	7220-7220	31099	Replacement 30' orange coiled cord, Optic 6 conductor
	<b>FT623</b>	7150-7150	---	Optic plug storage hanger
	<b>FT624</b>	---	31098	Replacement 20' orange straight cord, Optic 6 conductor
<b>API Thermistor Cord Assemblies</b>				
	<b>FT600</b>	7300SR-7300	21818	Green plug with 8 contact pins and 2 J slots, on a 30' coiled orange cable
	<b>FT600P</b>	7320SR-7320	---	Green plug with 8 contact pins and 2 J slots on a 30' orange coiled cord and 13 pin connector
	<b>FT600S</b>	7300-STRAIGHT	20830	Green plug with 8 contact pins and 2 J slots, on a 20' straight orange cable
	<b>FT600C</b>	7300CSR-7300	31092	Green plug with 10 contact pins and 4 J slots, on a 30' coiled orange cable
	<b>FT600SC</b>	7300C-STRAIGHT	---	Green plug with 10 contact pins and 4 J slots, on a 20' straight orange cable
	<b>FT601</b>	7310SR-7310	20769	Replacement green plug assembly with 8 contact pins and 2 J slots
	<b>FT601-4</b>	---	---	Replacement green plug assembly with 8 contact pins and 4 J slots
	<b>FT601-10</b>	---	8959	Replacement green plug assembly with 10 contact pins and 4 J slots
	<b>FT602</b>	---	31097	Replacement 30' orange coiled cord, Thermistor 10 conductor
	<b>FT603</b>	7350-7350	---	Thermistor plug storage hanger
	<b>FT604</b>	---	20834	Replacement 20' orange straight cord, Thermistor 10 conductor

Civacon and R/OM are registered trademarks of Civacon / Dover Corporation

# Fuel Tanker Overfill Detection

## Competitor Cross Reference Chart (continued)

On-Board Systems	FloTech™ Part #	Civacon Part #	Scully Part #	Description
---	<b>FT1001</b>	2001-2001	08328L1	API compatible 1 compartment system 7" probe
---	<b>FT1001-12</b>	2001S-0012	---	API compatible 1 compartment system 12" probe
---	<b>FT1002</b>	2002-2002	---	API compatible 2 compartment system 7" probes
---	<b>FT1002-12</b>	2002S-0012	---	API compatible 2 compartment system 12" probes
---	<b>FT1003</b>	2003-2003	---	API compatible 3 compartment system 7" probes
---	<b>FT1003-12</b>	2003S-0012	---	API compatible 3 compartment system 12" probes
---	<b>FT1004</b>	2004-2004	8305	API compatible 4 compartment system 7" probes
---	<b>FT1004-12</b>	2004S-0012	---	API compatible 4 compartment system 12" probes
---	<b>FT1005</b>	2005-2005	8306	API compatible 5 compartment system 7" probes
---	<b>FT1005-12</b>	2005S-0012	---	API compatible 5 compartment system 12" probes
---	<b>FT1006</b>	2006-2006	---	API compatible 6 compartment system 7" probes
---	<b>FT1006-12</b>	2006S-0012	---	API compatible 6 compartment system 12" probes
---	<b>FT2001</b>	3021-3021	---	R/OM type, 1 compartment system, overfill & retain, 7" probe
---	<b>FT2001-12</b>	3021S-0012	---	R/OM type, 1 compartment system, overfill & retain, 12" probe
---	<b>FT2002</b>	3022-3022	---	R/OM type, 2 compartment system, overfill & retain, 7" probes
---	<b>FT2002-12</b>	3022S-0012	---	R/OM type, 2 compartment system, overfill & retain, 12" probes
---	<b>FT2003</b>	3023-3023	---	R/OM type, 3 compartment system, overfill & retain, 7" probes
---	<b>FT2003-12</b>	3023S-0012	---	R/OM type, 3 compartment system, overfill & retain, 12" probes
---	<b>FT2004</b>	3024-3024	---	R/OM type, 4 compartment system, overfill & retain, 7" probes
---	<b>FT2004-12</b>	3024S-0012	---	R/OM type, 4 compartment system, overfill & retain, 12" probes
---	<b>FT2005</b>	3025-3025	---	R/OM type, 5 compartment system, overfill & retain, 7" probes
---	<b>FT2005-12</b>	3025S-0012	---	R/OM type, 5 compartment system, overfill & retain, 12" probes
---	<b>FT2006</b>	3026-3026	---	R/OM type, 6 compartment system, overfill & retain, 7" probes
---	<b>FT2006-12</b>	3026S-0011	---	R/OM type, 6 compartment system, overfill & retain, 12" probes
---	<b>FT2101</b>	3031-3031	---	R/OM type, 1 compartment system, overfill only, 7" probe
---	<b>FT2101-12</b>	3031S-0012	---	R/OM type, 1 compartment system, overfill only, 12" probe
---	<b>FT2102</b>	3032-3032	---	R/OM type, 2 compartment system, overfill only, 7" probes
---	<b>FT2102-12</b>	3032S-0012	---	R/OM type, 2 compartment system, overfill only, 12" probes
---	<b>FT2103</b>	3033-3033	---	R/OM type, 3 compartment system, overfill only, 7" probes
---	<b>FT2103-12</b>	3033S-0012	---	R/OM type, 3 compartment system, overfill only, 12" probes
---	<b>FT2104</b>	3034-3034	---	R/OM type, 4 compartment system, overfill only, 7" probes
---	<b>FT2104-12</b>	3034S-0012	---	R/OM type, 4 compartment system, overfill only, 12" probes
---	<b>FT2105</b>	3035-3035	---	R/OM type, 5 compartment system, overfill only, 7" probes
---	<b>FT2105-12</b>	3035S-0012	---	R/OM type, 5 compartment system, overfill only, 12" probes
---	<b>FT2106</b>	3036-3036	---	R/OM type, 6 compartment system, overfill only, 7" probes
---	<b>FT2106-12</b>	3036S-0012	---	R/OM type, 6 compartment system, overfill only, 12" probes
---	<b>FT2801</b>	---	8251	Checkmate system, 1 compartment system, overfill only, 7" probe
---	<b>FT2802</b>	---	8352	Checkmate system, 2 compartment system, overfill only, 7" probes
---	<b>FT2803</b>	---	8353	Checkmate system, 3 compartment system, overfill only, 7" probes
---	<b>FT2804</b>	---	8354	Checkmate system, 4 compartment system, overfill only, 7" probes
---	<b>FT2805</b>	---	8355	Checkmate system, 5 compartment system, overfill only, 7" probes

Civacon and R/OM are registered trademarks of Civacon / Dover Corporation

# Fuel Tanker Overfill Detection

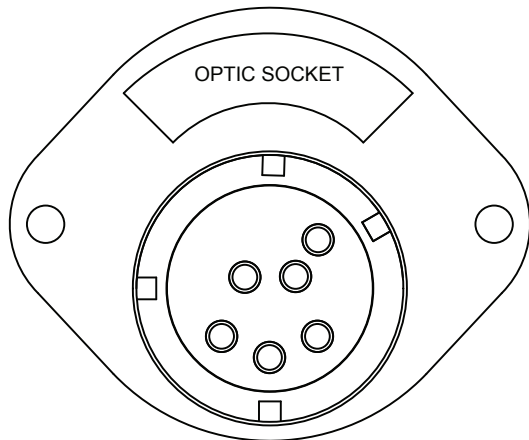
## Competitor Cross Reference Chart (continued)

On-Board Systems	FloTech™ Part #	Civacon Part #	Scully Part #	Description
---	<b>FT2806</b>	---	08356	Checkmate system, 6 compartment system, overfill only, 7" probes
---	<b>FT2807</b>	---	08380	Checkmate system, 7 compartment system, overfill only, 7" probes
---	<b>FT2808</b>	---	08381	Checkmate system, 8 compartment system, overfill only, 7" probes
---	<b>FT2811</b>	---	08361	Checkmate system, 1 compartment system, overfill & retain, 7" probe
---	<b>FT2812</b>	---	08362	Checkmate system, 2 compartment system, overfill & retain, 7" probes
---	<b>FT2813</b>	---	08363	Checkmate system, 3 compartment system, overfill & retain, 7" probes
---	<b>FT2814</b>	---	08364	Checkmate system, 4 compartment system, overfill & retain, 7" probes
---	<b>FT2815</b>	---	08365	Checkmate system, 5 compartment system, overfill & retain, 7" probes
---	<b>FT2816</b>	---	08366	Checkmate system, 6 compartment system, overfill & retain, 7" probes
---	<b>FT2817</b>	---	08382	Checkmate system, 7 compartment system, overfill & retain, 7" probes
---	<b>FT2818</b>	---	08383	Checkmate system, 8 compartment system, overfill & retain, 7" probes

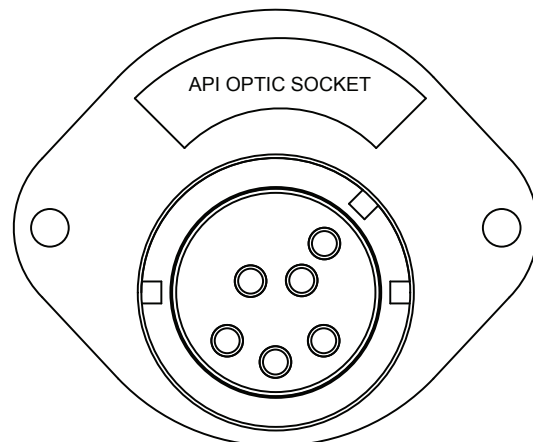


# Fuel Tanker Overfill Detection

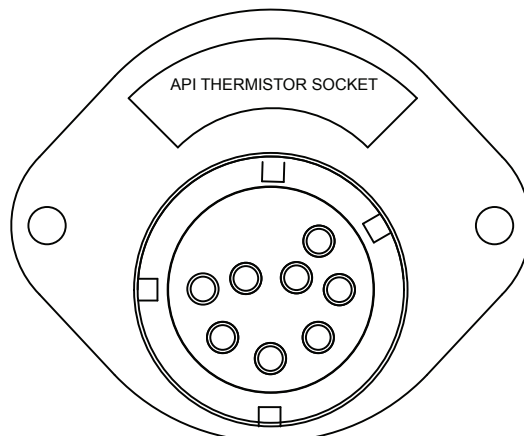
## Socket Profiles



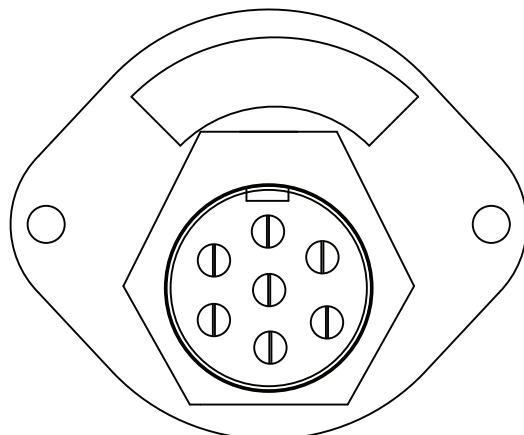
**FT303** Optic socket (US)  
**FT313** Replacement faceplate  
**FT307** Optic socket (Eastern Canada)  
**FT317** Replacement faceplate



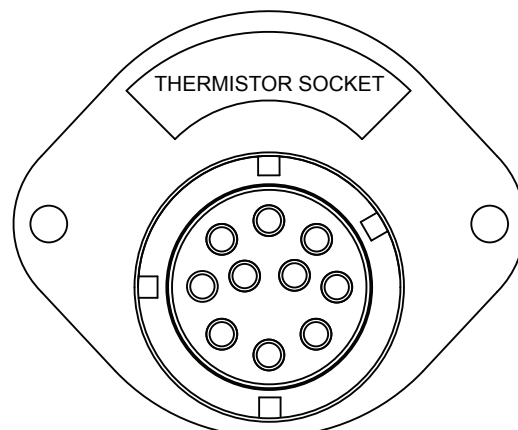
**FT300** API optic socket (US)  
**FT310** Replacement faceplate



**FT301** API Thermistor socket (US)  
**FT311** Replacement faceplate assembly



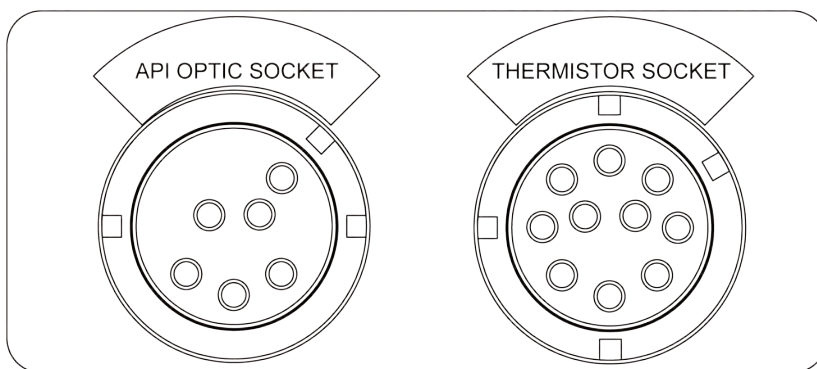
**FT302** Float J560 socket (US)  
**FT312** Replacement faceplate float J560 socket  
**FT305** Thermistor J560 socket (US)  
**FT315** Replacement faceplate Thermistor J560 socket  
**FT306** Optic J560 socket (western Canada)  
**FT316** Replacement faceplate optic J560 socket



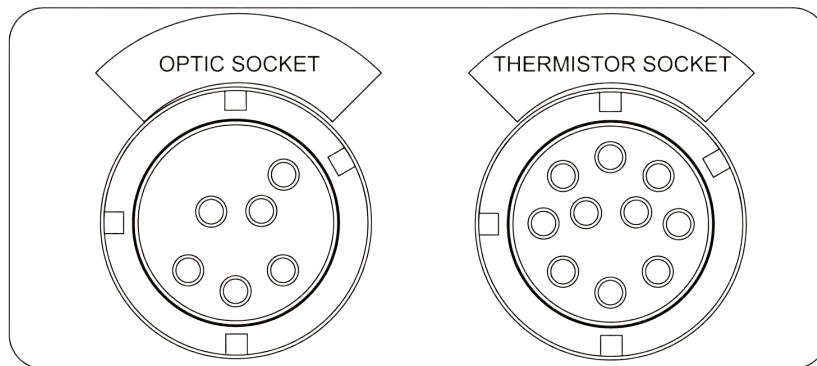
**FT304** Thermistor socket (Canada)  
**FT314** Replacement faceplate

# Fuel Tanker Overfill Detection

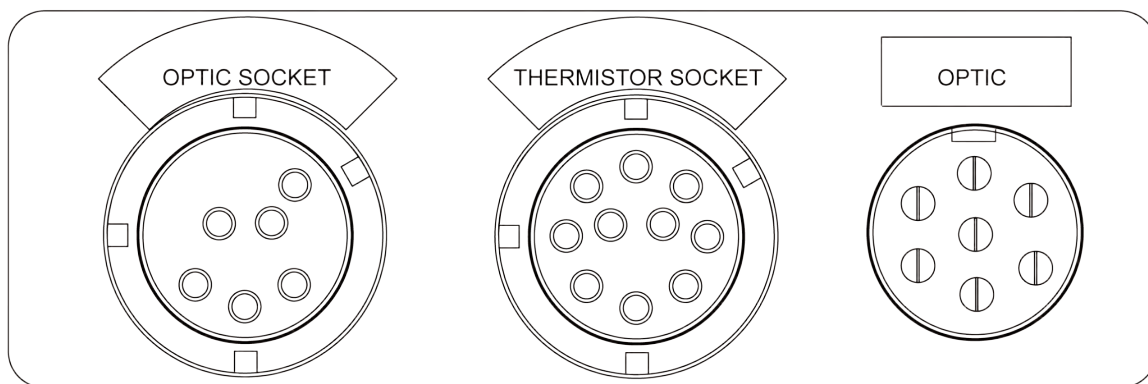
## Socket Profiles



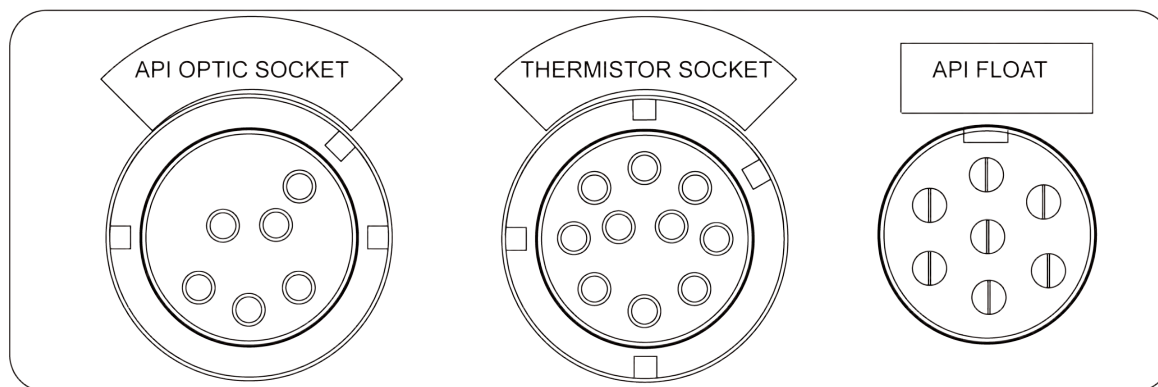
**FT390** Dual socket (US)



**FT391** Dual socket (Canada)



**FT395** Triple socket (Canada)



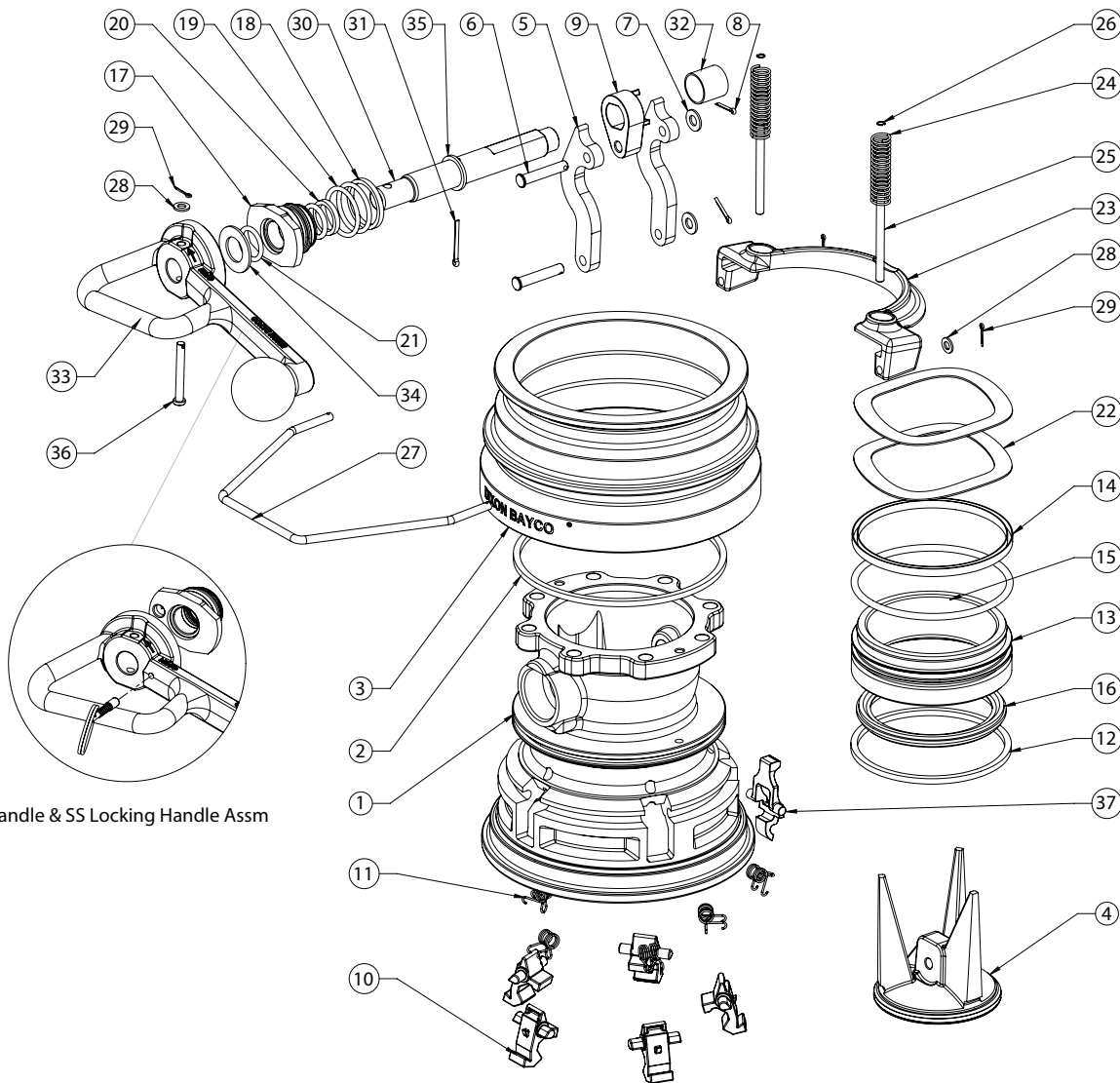
**FT393** Triple socket (US)

Overfill  
Products

# Fuel Tanker Loading and Unloading

## 5300/5400 Series API Couplers

### API Bottom Rack Loading Fittings



Stainless Handle & SS Locking Handle Assm

Petroleum  
Replacement Parts

Product instruction sheets and technical data can be viewed on our website at [dixonvalve.com](http://dixonvalve.com)

# Fuel Tanker Loading and Unloading

## Bill of Materials

## Qty of Components per Unit

Item #	Description	Part #	5300	5300B	5300BC	5300BCL	5300G	5400	5400B	5400G
1	body	---	1	1	1	1	1	1	1	1
2	body dust ring	112173	1	1	1	1	1	1	1	1
3	sleeve assembly	400684	1	1	1	1	1	1	1	1
4A	poppet	Use kit 5354K19	1	1	1	1	1	1	1	1
4B	poppet for crude oil	Use kit 5354K20	N/A	N/A	1	1	N/A	N/A	N/A	N/A
5	bent link	112151	2	2	2	2	2	2	2	2
6	link pin	391141	2	2	2	2	2	2	2	2
7	link washer	112158	2	2	2	2	2	2	2	2
8	304SS cotter pin	110721	2	2	2	2	2	2	2	2
9	drive link	112148	1	1	1	1	1	1	1	1
10	interlocking cam	112147	5	5	5	5	5	5	5	5
11	torsion spring	112149	5	5	6	6	5	5	5	5
12	nose piece dust ring	112174	1	1	1	1	1	1	1	1
13	nose piece	Use kit 5354K7, 5354K8, 5354K9, 5354K10, 5354K11, 5354K12 & 5354K20	N/A	N/A	N/A	N/A	N/A	1	1	1
14	PTFE U-Seal 350 (optional) <sup>1</sup>	112164	1	1	1	1	1	1	1	1
15A	O-ring 2-350, Buna	Use kit 5354K7, 5354K8, 5354K13 or 5354K14	1	N/A	N/A	N/A	N/A	1	N/A	N/A
15B	O-ring 2-350, FKM B	Use kit 5354K9, 5354K10, 5354K15, 5354K16 or 5354K20	N/A	1	1	1	N/A	N/A	1	N/A
15C	O-ring 2-350, FKM GFLT	Use kit 5354K11, 5354K12, 5354K17 or 5354K18	N/A	N/A	N/A	N/A	1	N/A	N/A	1
16A	replaceable nose seal, Buna	Use kit 5354K13 or 5354K14	N/A	N/A	N/A	N/A	N/A	1	N/A	N/A
16B	replaceable nose seal, FKM B	Use kit 5354K15 or 5354K16	N/A	N/A	N/A	N/A	N/A	N/A	1	N/A
16C	replaceable nose seal, FKM GFLT	Use kit 5354K17 or 5354K18	N/A	N/A	N/A	N/A	N/A	N/A	N/A	1
16D	bonded nose seal, Buna	Use kit 5354K7 or 5354K8	1	N/A	N/A	N/A	N/A	N/A	N/A	N/A
16E	bonded nose seal, FKM B	Use kit 5354K9 or 5354K10	N/A	1	N/A	N/A	N/A	N/A	N/A	N/A
16 F	bonded nose seal, FKM GFLT	Use kit 5354K11 or 5354K12	N/A	N/A	N/A	N/A	1	N/A	N/A	N/A
16G	bonded nose seal for crude oil	Use kit 5354K20	N/A	N/A	1	1	N/A	N/A	N/A	N/A
17A	bearing	341790	1	1	N/A	N/A	1	1	1	1
17B	bearing for crude oil	400696	N/A	N/A	1	N/A	N/A	N/A	N/A	N/A
17C	bearing for crude oil with lock handle	400696	N/A	N/A	NA	1	N/A	N/A	N/A	N/A
18	PTFE U-Seal 220 (Optional) <sup>1</sup>	112163	1	1	1	1	1	1	1	1
19A	O-ring 2-220, Buna	Use kit 5354K1, 5354K2 or 5354K20	1	N/A	N/A	N/A	N/A	1	N/A	N/A
19B	O-ring 2-220, FKM B	Use kit 5354K3, 5354K4 or 5354K20	N/A	1	1	1	N/A	N/A	1	N/A
19C	O-ring 2-220, FKM GFLT	Use kit 5354K5 or 5354K6	N/A	N/A	N/A	N/A	1	N/A	N/A	1
20	PTFE U-Seal 212 (optional) <sup>1</sup>	112162	1	1	1	1	1	1	1	1
21A	O-ring 2-212, Buna	Use kit 5354K1 or 5354K2	2	N/A	N/A	N/A	N/A	2	N/A	N/A
21B	O-ring 2-212, FKM B	Use kit 5354K3, 5354K4, 5354K20	N/A	2	2	2	N/A	N/A	2	N/A
21C	O-ring 2-212, FKM GFLT	Use kit 5354K5 or 5354K6	N/A	N/A	N/A	N/A	2	N/A	N/A	2
22A	wave spring washer	112172	2	2	N/A	N/A	2	2	2	2
22B	wave washer for crude oil	112282	N/A	N/A	1	1	N/A	N/A	N/A	N/A
23	bail	341788	1	1	1	1	1	1	1	1
24	bail spring	112150	2	2	2	2	2	2	2	2
25	bail pin	112175	2	2	2	2	2	2	2	2
26	internal retaining ring	112176	2	2	2	2	2	2	2	2
27	release	391139	1	1	1	1	1	1	1	1
28	washer	111562	3	3	3	3	3	3	3	3
29	cotter pin	111563	3	3	3	3	3	3	3	3
30	shaft	391140	1	1	1	1	1	1	1	1
31	shaft cotter pin	112307	1	1	1	1	1	1	1	1
32	spacer	391142	1	1	1	1	1	1	1	1
33A	handle (aluminum)	341789	1	1	-	-	1	1	1	1
33B	handle (stainless steel)	112392	N/A	N/A	1	N/A	N/A	N/A	N/A	N/A
33C	handle (stainless steel)	400713	N/A	N/A	N/A	1	N/A	N/A	N/A	N/A
34	shaft outside washer	112160	1	1	1	1	1	1	1	1
35	shaft inside washer	112159	1	1	1	1	1	1	1	1
36	clevis pin	112500	1	1	1	1	1	1	1	1
37	latch	112240	1	1	1	1	1	1	1	1

Petroleum Replacement Parts

<sup>1</sup> Items 14, 18 and 20 are optional PTFE U seals. When the U seals are added to the coupler they isolate the main rubber seals from the liquid being conveyed, thereby increasing the longevity of the rubber seals.  
N/A = "Not Applicable"

# Fuel Tanker Loading and Unloading

## 5300/5400 Series API Couplers

### API Bottom Rack Loading Fittings

#### Repair Kits

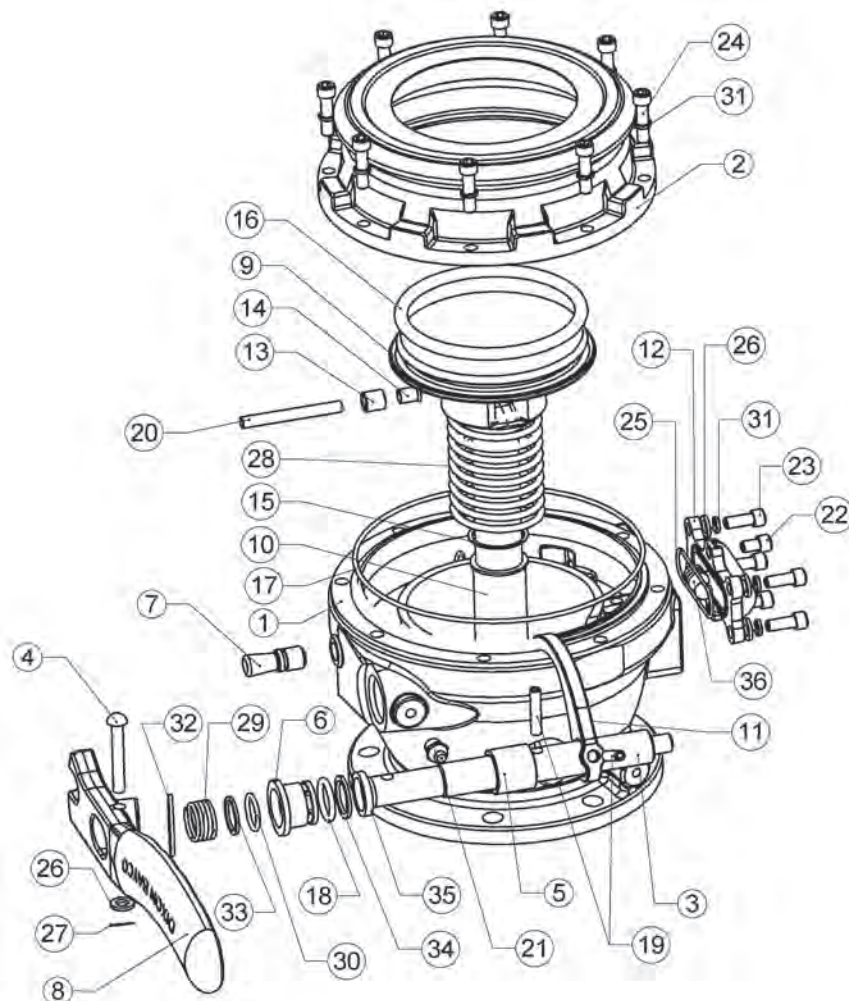
Part #	Description	Include items #
<b>5354K1</b>	Buna shaft seal kit: for 5300 and 5400	19A, 21A, 31, 34, 35
<b>5354K2</b>	Buna shaft seal kit with optional PTFE U seals: for 5300 and 5400	18 <sup>1</sup> , 19A, 20 <sup>1</sup> , 21A, 34, 35
<b>5354K3</b>	FKM-B shaft seal kit: for 5300B and 5400B	19B, 21B, 31, 34, 35
<b>5354K4</b>	FKM-B shaft seal kit with optional PTFE U seals: for 5300B and 5400B	18 <sup>1</sup> , 19B, 20 <sup>1</sup> , 21B, 31, 34, 35
<b>5354K5</b>	FKM GFLT shaft seal kit: for 5300G and 5400G	19C, 21C, 31, 34, 35
<b>5354K6</b>	FKM GFLT shaft seal kit with optional PTFE U seals: for 5300G and 5400G	18 <sup>1</sup> , 19C, 20 <sup>1</sup> , 21C, 34, 35
<b>5354K7</b>	Buna bonded nose seal kit: for 5300	12, 13, 15A, 16D
<b>5354K8</b>	Buna bonded nose seal kit with optional PTFE U seal: for 5300	12, 13, 14 <sup>1</sup> , 15A, 16D
<b>5354K9</b>	FKM-B bonded nose seal kit: for 5300B	12, 13, 15B, 16E, 31
<b>5354K10</b>	FKM-B bonded nose seal kit with optional PTFE U seal: for 5300B	12, 13, 14 <sup>1</sup> , 15B, 16E
<b>5354K11</b>	FKM GFLT bonded nose seal kit: for 5300G	12, 13, 15C, 16F, 31
<b>5354K12</b>	FKM GFLT bonded nose seal kit with optional PTFE U seal: for 5300G	12, 13, 14 <sup>1</sup> , 15C, 16F
<b>5354K13</b>	Buna replaceable nose seal kit: for 5400	12, 15A, 16A
<b>5354K14</b>	Buna replaceable nose seal kit with optional PTFE U seal: for 5400	12, 14 <sup>1</sup> , 15A, 16A
<b>5354K15</b>	FKM-B replaceable nose seal kit: for 5400B	12, 15B, 16B, 31
<b>5354K16</b>	FKM-B replaceable nose seal kit with optional PTFE U seal: for 5400B	12, 14 <sup>1</sup> , 15B, 16B, 31
<b>5354K17</b>	FKM GFLT replaceable nose seal kit: for 5400G	12, 15C, 16C
<b>5354K18</b>	FKM GFLT replaceable nose seal kit with optional PTFE U seal: for 5400G	12, 14 <sup>1</sup> , 15C, 16C
<b>5354K19</b>	Valve assembly repair kit: for 5300, 5300B, 5300G, 5400, 5400B, 5400G	4, 5, 6, 7, 8, 9, 31, 34, 35
<b>5354K20</b>	crude conversion kit	4B, 16G, 17C, 22B, 31
<b>5354K21</b>	locking handle kit	17C, 21B, 28, 29, 31, 33C, 34, 36
<b>5354K22</b>	conversion kit for crude 5300, 5400 - GFLT seals	22B, 16F, 15C, 12, 17A, 21C, 19C, 31
<b>5354K23</b>	poppet assembly replacement kit 5300, 5300BC, 5300BCL	4A, 5, 6, 7, 8, 9, 31, 34, 35
<b>5354K25</b>	Aluminum handle kit replacement	28, 29, 33A, 34, 36
<b>5354K26</b>	Stainless steel handle kit replacement	28, 29, 33B, 34, 36
<b>5354K27</b>	super pack API coupler repair kit	5354K1, 5354K9, 28, 29, 31, 36

<sup>1</sup> Items 14, 18 and 20 are optional PTFE U seals. When the U seals are added to the coupler they isolate the main rubber seals from the liquid being conveyed, thereby increasing the longevity of the rubber seals.



# Fuel Tanker Loading and Unloading

## 5204 Series, API Bottom Load Valves



Petroleum  
Replacement Parts

### Repair Kits

Part #	Description	Include items #
<b>5204K2</b>	complete rebuild kit: Baylast™ O-rings, bearings	6, 16A, 17A, 18A, 30, 32, 33, 34, 35
<b>5204KV2</b>	complete rebuild kit: FKM poppet O-ring, Baylast™ O-rings, bearings	6, 10, 13, 14, 16B, 17B, 18B, 25B, 30, 35
<b>5204K3</b>	replacement anodized nose ring with Baylast™ gasket, screws and lock washers	2, 17A, 24, 31
<b>5204K5</b>	replacement detachable handle assembly (for 5204C and 5204NGC)	not illustrated
<b>5204K6</b>	PTFE encapsulated seal kit, poppet O-ring, nose O-ring, shaft O-ring, and sight glass O-ring	16C, 17B, 18B, 25B
<b>5204K7</b>	replacement fixed handle assembly	4, 6, 8A, 26, 27, 29, 32
<b>5204K8</b>	sight glass repair kit	12, 25A, 36, 37
<b>5204K9</b>	sight glass cover kit (to convert units with sight glass to non-sight glass)	not illustrated
<b>5204K11</b>	nose ring replacement 8 hex bolts and 8 washers kit	24, 31
<b>5204K12</b>	sight glass replacement hardware, 6 hex bolts, 6 lock washers and 4 washers kit	23, 26, 31
<b>5204K13</b>	replacement full body sight glass, seals and retainer kit for 5204SFI	38, 39, 40

Product instruction sheets and technical data can be viewed on our website at [dixonvalve.com](http://dixonvalve.com)

# Fuel Tanker Loading and Unloading

## 5204 Series, API Bottom Load Valves

### Bill of Materials

### Qty of Components per Unit

Item #	Description	Part #	5204	5204NG	5204TNG	5204SNG	5204NGV	5204C	5204NGC	5204L	5204LNG
1	body - pipe end	---	1	1	1	1	1	1	1	1	1
2	nose ring	use kit <b>5204K3</b>	1	1	1	1	1	1	1	1	1
3	shaft	<b>390812</b>	1	1	1	1	1	1	1	N/A	N/A
4	handle pin	<b>111559</b>	1	1	1	1	1	N/A	N/A	N/A	N/A
5	shaft spacer	<b>390813</b>	1	1	1	1	1	1	1	N/A	N/A
6	shaft bearing	<b>111557</b>	1	1	1	1	1	1	1	N/A	N/A
7	stop pin	<b>5204-SP</b>	1	1	1	1	1	1	1	N/A	N/A
8A	fixed handle	use kit <b>5204K7</b>	1	1	1	1	1	N/A	N/A	N/A	N/A
8B	removeable handle	use kit <b>5204K5</b>	N/A	N/A	N/A	N/A	N/A	1	1	N/A	N/A
9A	poppet (load/unload versions)	<b>341755</b>	1	1	1	1	1	1	1	N/A	N/A
9B	poppet (load only versions)	<b>341756</b>	N/A	N/A	N/A	N/A	N/A	N/A	N/A	1	1
10	poppet bearing	<b>341801</b>	1	1	1	1	1	1	1	1	1
11	cam	<b>111550</b>	1	1	1	1	1	1	1	N/A	N/A
12	sight glass	use kit <b>5204K8</b>	1	N/A	N/A	N/A	N/A	1	N/A	1	N/A
13	poppet roller	<b>390815</b>	1	1	1	1	1	1	1	N/A	N/A
14	poppet roller bearing	<b>111556</b>	1	1	1	1	1	1	1	N/A	N/A
15	retaining ring	<b>111560</b>	1	1	1	1	1	1	1	1	1
16A	Baylast™ poppet O-ring	<b>5204K1</b>	1	1	N/A	1	N/A	1	1	1	1
16B	FKM poppet O-ring	<b>5204KV1</b>	N/A	N/A	N/A	N/A	1	N/A	N/A	N/A	N/A
16C	PTFE encapsulated poppet O-ring	use kit <b>5204K6</b>	N/A	N/A	1	N/A	N/A	N/A	N/A	N/A	N/A
17A	nose ring O-ring	<b>111554</b>	1	1	N/A	1	1	1	1	1	1
17B	PTFE nose O-ring	use kit <b>5204K6</b>	N/A	N/A	1	N/A	N/A	N/A	N/A	N/A	N/A
18A	shaft O-ring	<b>111552</b>	1	1	N/A	1	1	1	1	N/A	N/A
18B	PTFE shaft O-ring	use kit <b>5204K6</b>	N/A	N/A	1	N/A	N/A	N/A	N/A	N/A	N/A
19	shaft and cam roll pin	<b>6000-12</b>	2	2	2	2	2	2	2	N/A	N/A
20	pin roller	<b>111566</b>	1	1	1	1	1	1	1	N/A	N/A
21	grease fitting	<b>111561</b>	1	1	1	1	1	1	1	N/A	N/A
23	sight glass screw	use kit <b>5204K12</b>	6	N/A	N/A	N/A	N/A	6	N/A	6	N/A
24	nose ring screw	use kit <b>5204K11</b>	8	8	8	8	8	8	8	8	8
25A	Baylast™ sight glass O-ring	use kit <b>5204K8</b>	1	N/A	N/A	N/A	N/A	1	N/A	1	N/A
25B	PTFE sight glass O-ring	use kit <b>5204K6</b>	N/A	N/A	N/A	N/A	N/A	N/A	N/A	N/A	N/A
26	washer	<b>111562</b>	1	1	1	1	1	6	N/A	6	N/A
27	cotter pin	<b>111563</b>	1	1	1	1	1	N/A	N/A	N/A	N/A
28A	main spring-steel	<b>111564</b>	1	1	N/A	N/A	1	1	1	1	1
28B	main spring- stainless steel	<b>111542</b>	N/A	N/A	1	1	N/A	N/A	N/A	N/A	N/A
29	handle spring	<b>111565</b>	1	1	1	1	1	1	1	N/A	N/A
30	dust seal O-ring	<b>111553</b>	1	1	1	1	1	1	1	N/A	N/A
31	lock washer ¼"	<b>111569</b>	14	8	8	8	8	14	8	14	8
32	handle shaft spring washer	<b>111573</b>	1	1	1	1	1	1	1	N/A	N/A
33	handle shaft washer	<b>111574</b>	1	1	1	1	1	1	1	N/A	N/A
34	back-up ring	<b>111579</b>	1	1	1	1	1	1	1	N/A	N/A
35	u-cup seal	<b>111580</b>	1	1	1	1	1	1	1	N/A	N/A
36	flow indicator	use kit <b>5204K8</b>	1	N/A	N/A	N/A	N/A	1	N/A	N/A	N/A
38 <sup>1</sup>	retaining ring	use kit <b>5204K13</b>	N/A	N/A	N/A	N/A	N/A	N/A	N/A	N/A	N/A
39 <sup>1</sup>	SFI sight glass	use kit <b>5204K13</b>	N/A	N/A	N/A	N/A	N/A	N/A	N/A	N/A	N/A
40 <sup>1</sup>	SFI sight glass O-ring (Baylast™)	use kit <b>5204K13</b>	N/A	N/A	N/A	N/A	N/A	N/A	N/A	N/A	N/A

<sup>1</sup> Not illustrated, parts for 5204-SFI

N/A = Not Applicable

Product instruction sheets and technical data can be viewed on our website at  
dixonvalve.com

# Fuel Tanker Loading and Unloading

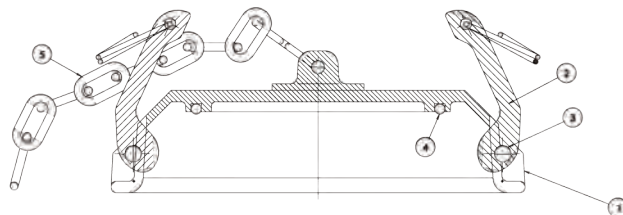
## 5000-24 API Dust Caps

### Bill of Materials

Item #	Description	Part #	Qty
1	body	---	1
2	cam arm and ring	<b>300-HRP-BR</b>	2
3	cam arm pin	<b>5000-24</b>	2
4A	Baylast™ O-ring (standard)	<b>4500-5</b>	1
4B	FKM O-ring (optional)	<b>4500-7</b>	1
5	replacement 18" chain and S hook	<b>5205-RK4</b>	1

### Repair Kits

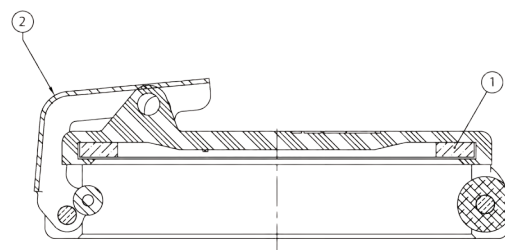
Part #	Description	Item #
<b>4500RK</b>	replacement cam arms, pins and Baylast™ O-ring seal (standard)	2, 3, 4A
<b>4500RK-V</b>	replacement cam arms, pins and FKM O-ring seal (optional)	2, 3, 4B
<b>5205-RK4</b>	replacement 18" chain and S hook	5



## 5000-25 API Dust Caps

### Bill of Materials

Item #	Description	Part #	Qty
1	gasket	<b>5000-25RK1</b>	1
2	cam arm sub assembly	<b>5000-25RK2</b>	1



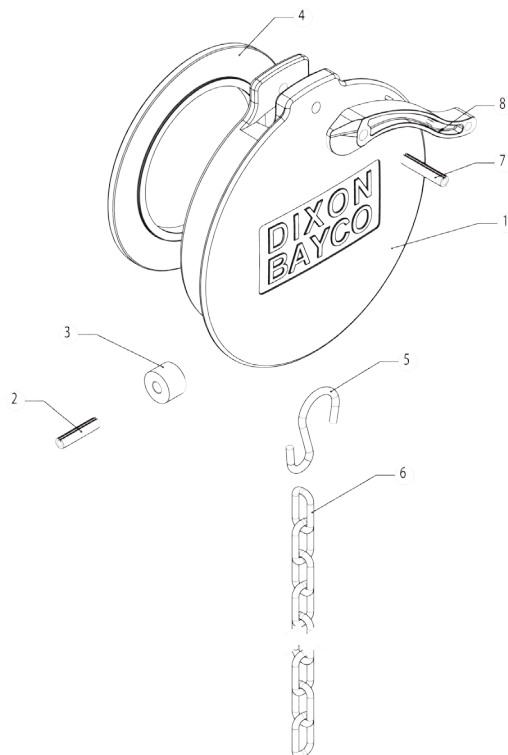
## 5205 API Dust Caps

### Bill of Materials

Item #	Description	Part #	Qty
1	body	---	1
2	slotted pin	use kit <b>5205-RK3</b>	1
3	roller	use kit <b>5205-RK3</b>	1
4	gasket	<b>5205-RK1</b>	1
5	S hook	use kit <b>5205-RK4</b>	1
6	18" chain	use kit <b>5205-RK4</b>	1
7	spring pin	use kit <b>5205-RK2</b>	1
8	plastic cam arm	use kit <b>5205-RK2</b>	1

### Repair Kits

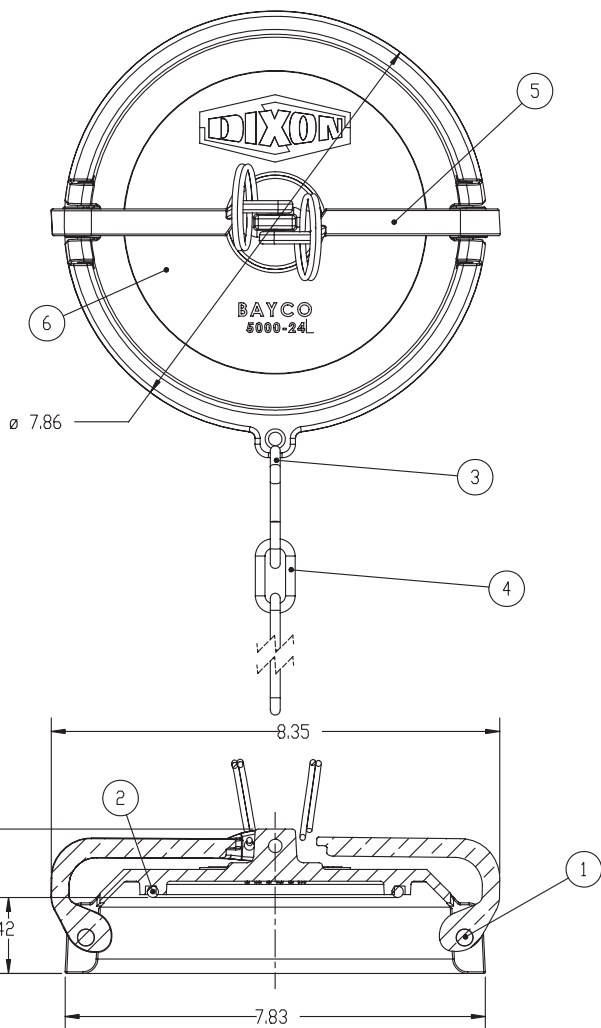
Part #	Description	Item #
<b>5205-RK1</b>	gasket replacement kit	4
<b>5205-RK2</b>	replacement cam arm and pin	7, 8
<b>5205-RK3</b>	replacement roller and pin	2, 3
<b>5205-RK4</b>	replacement chain and S hook	5, 6



Product instruction sheets and technical data can be viewed on our website at [dixonvalve.com](http://dixonvalve.com)

# Fuel Tanker Loading and Unloading

## 5000-24L Lockable API Cap



### Bill of Materials

Item #	Description	Part #	Qty
1	pin	<b>325-P</b>	2
2	Buna-N O-ring	<b>4500-5</b>	1
3	s-hook	<b>112167</b>	1
4	chain 18"	<b>500-15</b>	1
5	lockable arm with ring	<b>341836</b>	2
6	API dust cap	---	1

### Repair Kits

Part #	Description	Item #
<b>5000-24LRK</b>	arm and seal repair kit	1, 2, 5

Petroleum Replacement Parts

# Fuel Delivery

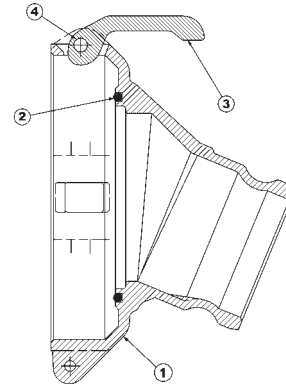
## 4530 and 4540 Series Gravity Drop Adapters

### Bill of Materials

Item #	Description	Part #	Qty
1	body	---	1
2A	Baylast™ O-ring (standard)	<b>4500-5</b>	1
2B	FKM O-ring (standard)	<b>4500-7</b>	1
3	cam arm and ring	<b>300-HRP-BR</b>	2
4	cam pin	<b>300-HRP-BR</b>	2
---	replacement 18" chain and S hook	<b>5205-RK4</b>	1

### Repair Kits

Part #	Description	Item #
<b>4500RK</b>	cam arms, rings, pins and Baylast™ O-ring	2A, 3, 4
<b>4500RK-V</b>	cam arms, rings, pins and FKM O-ring	2B, 3, 4
<b>5205-RK4</b>	8" security chain and S hook	-



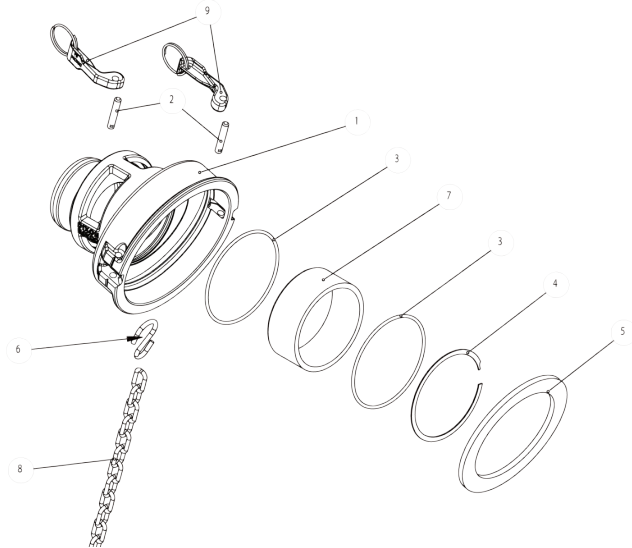
## 4530SG and 4540SG (with Sight Glass) Gravity Drop Adapters

### Bill of Materials

Item #	Description	Part #	Qty
1	body	---	1
2	cam arm pin	<b>L519-15</b>	2
3	Baylast™ O-ring	<b>112052</b>	2
4	retaining ring	<b>112053</b>	1
5	Baylast™ main gasket	<b>4540SG-RK2</b>	1
6	S hook	use kit <b>5205-RK4</b>	1
7	sight glass	use kit <b>4540SG-RK1</b>	1
8	18" chain	use kit <b>5205-RK4</b>	1
9	cam arm and ring	<b>ACAR34BZ</b>	2

### Repair Kits

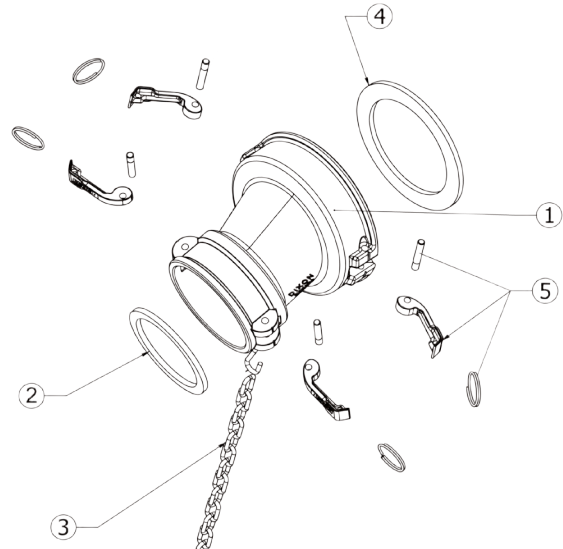
Part #	Description	Item #
<b>4540SG-RK1</b>	sight glass repair kit (fits 3" and 4")	3, 4, 7
<b>4540SG-RK2</b>	Baylast™ main gasket (fits 3" and 4")	5A
<b>4540SG-RK2-V</b>	FKM main gasket (fits 3" and 4")	5B
<b>4540SG-RK3</b>	replacement cam arms and pins (fits 3" and 4")	2, 9
<b>5205-RK4</b>	replacement chain and "S" hook	6, 8



## 4540F Gravity Drop Adapters

### Bill of Materials

Item #	Description	Part #	Qty
1	body	---	1
2	4" Buna fuel gasket	<b>400-G-BF</b>	1
3	18" chain with S hook	<b>5205-RK4</b>	1
4	Baylast™ main gasket	<b>4540SG-RK2</b>	1
5	brass cam arm, pin and finger ring (kit)	<b>300-HRP-BR</b>	4



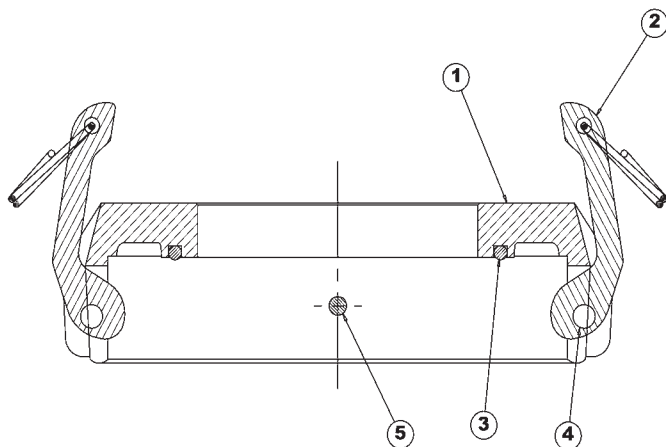
Product instruction sheets and technical data can be viewed on our website at [dixonvalve.com](http://dixonvalve.com)



# Fuel Delivery

## 4500 Drop Adapter Mounting Ring for 2 Piece Gravity Drop Adapters

4500, 4502 and 4504 Main Body Inlet



### Bill of Materials

Item #	Description	Part #	Qty
1	body	---	1
2	cam arm and ring	<b>300-HRP-BR</b>	2
3A	Baylast™ O-ring (standard)	<b>4500-5</b>	1
3B	FKM O-ring (optional)	<b>4500-7</b>	1
4	cam arm pin	<b>300-HRP-BR</b>	2
5	rivet	<b>390564</b>	1

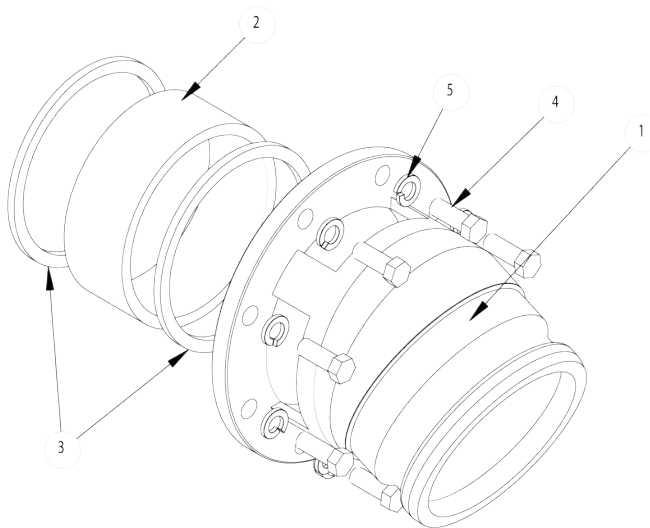
### Repair Kits

Part #	Description	Item #
<b>4500RK</b>	replacement cam arms, rings, pins and Baylast™ O-ring (standard)	2, 3A, 4
<b>4500RK-V</b>	replacement cam arms, rings, pins and FKM O-ring (optional)	2, 3B, 4

## 4500 Series Drop Adapter Outlets

4501, 4502, 4503 and 4504

Petroleum Replacement Parts



### Bill of Materials

Item #	Description	Part #	Qty
1	body	---	1
2	sight glass	see below	2
3A	Baylast™ gasket	<b>4433</b>	2
3B	FKM gasket	<b>4426</b>	1
4	stainless bolt	<b>4427</b>	8
5	stainless washer	<b>WASHER.375-SS</b>	8
not illustrated	coupler gasket for 4504	<b>400-G-BF</b>	1
not illustrated	cam arm and ring for 4504	<b>ACAR34BZ</b>	2
not illustrated	cam arm pin for 4504	<b>L519-12</b>	2

### Repair Kits

Part #	Description	Item #
<b>4400SGK</b>	replacement sight glass and Baylast™ gaskets for 4501 and 4504	2, 3A
<b>4400SGK-V</b>	replacement sight glass and FKM gaskets for 4501 and 4504	2, 3B
<b>4502SGK</b>	replacement sight glass and Baylast™ gaskets for 4502 and 4503	2, 3A
<b>4502SGK-V</b>	replacement sight glass and FKM gaskets for 4502 and 4503	2, 3B

Product instruction sheets and technical data can be viewed on our website at [dixonvalve.com](http://dixonvalve.com)

# Fuel Delivery

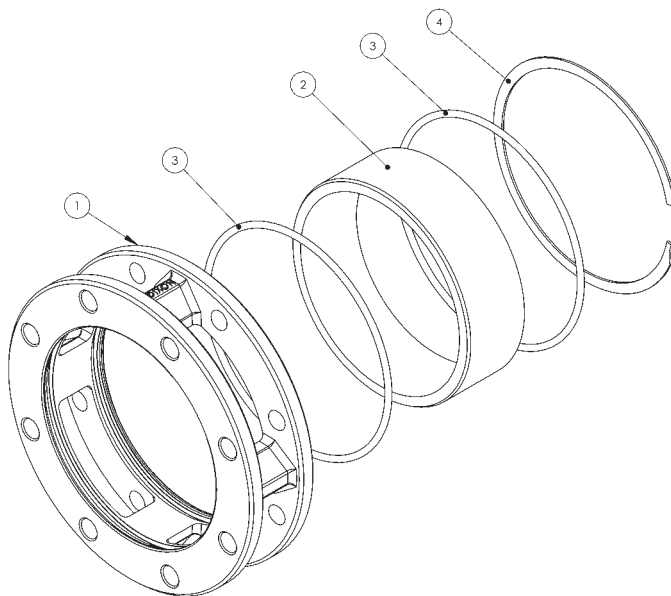
## 5200-SFI Series, Sight Glass

### Bill of Materials

Item #	Description	Part #
1a	Body 3" - 1 3/4"	<b>241667</b>
1b	Body 3" - 3 1/4"	<b>242055</b>
1c	Body 4" - 3 3/4"	<b>241964</b>
1d	Body 4" - 3 1/4"	<b>242028</b>
2a	Sight Glass	<b>391149</b>
2b	Sight Glass	<b>391859</b>
2c	Sight Glass	<b>390843</b>
2d	Sight Glass	<b>390844</b>
3a	3" Baylast O-ring	<b>111692</b>
3b	3" FKM O-ring	<b>112097</b>
3c	4" Baylast O-ring	<b>112028</b>
3d	4" FKM O-ring	<b>112098</b>
4a	3" Retaining Ring	<b>112056</b>
4b	3" Retaining Ring	<b>40419SS</b>
4c	4" Retaining Ring	<b>112055</b>
4d	4" Retaining Ring	<b>40420SS</b>

### Repair Kits

Part #	Description	Includes Item #
<b>5200-SFI-3-RK1</b>	Sight glass repair kit for 5200-SFI-3	2c, 3a, 4a
<b>5200-SFI-RK1</b>	Sight glass repair kit for 5200-SFI	2d, 3c, 4c
<b>5200-SFIV-RK1</b>	Sight glass repair kit for 5200-SFIV	2d, 3d, 4c
<b>5200-SFI-3V-RK1</b>	Sight glass repair kit for 5200-SFI-3V	2c, 3b, 4a
<b>5201-SFI-3-RK1</b>	Sight glass repair kit for 5201-SFI-3	2b, 3a, 4a
<b>5201-SFI-RK1</b>	Sight glass repair kit for 5201-SFI	2a, 3c, 4c



## Drop Elbow Inlets

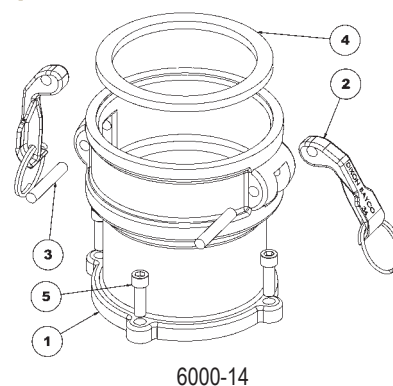
Fits 6000, 6200, and 6500 Series Elbows  
6000-14 and 6000-15 Female Coupler Inlets

### Bill of Materials

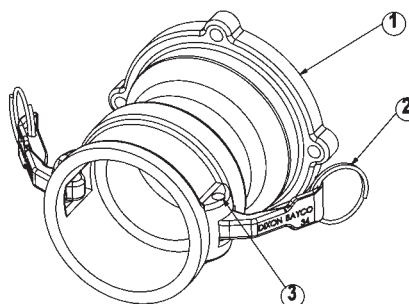
Item #	Description	Part #	Qty
1	body	---	1
2	cam arm and ring	<b>300-HRP-BR</b>	2
3A	4" cam arm pin	<b>300-HRP-BR</b>	2
3B	3" cam arm pin	<b>300-HRP-BR</b>	2
4A	4" gasket (6000-14)	<b>400-G-BF</b>	1
4B	3" gasket (6000-15)	<b>300-G-BF</b>	1
5	hex screw	use kit <b>6000NPHK</b>	4
6	lock washer	use kit <b>6000NPHK</b>	4

### Repair Kits

Part #	Description	Includes Item #
<b>6000NPHK</b>	replacement hex screws and lockwashers	5, 6



6000-14



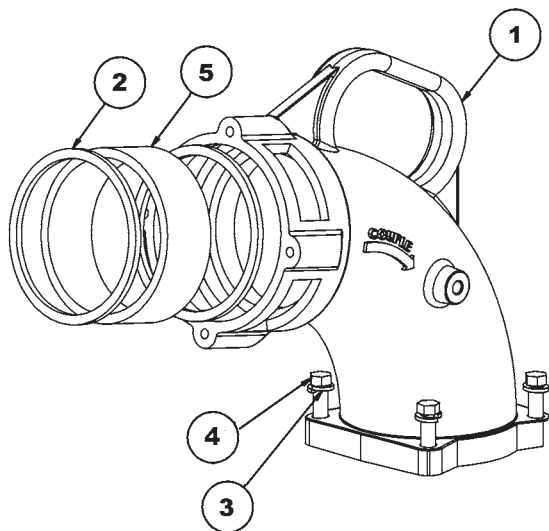
6000-15

Product instruction sheets and technical data can be viewed on our website at [dixonvalve.com](http://dixonvalve.com)

# Fuel Delivery

## Top "D" Handle Elbows

Fits 6000 Elbow Only



### Bill of Materials

Item #	Description	Part #	Qty
1	body	<b>6200-1</b>	1
2A	Baylast™ gasket	<b>4433</b>	2
2B	FKM gasket (optional)	<b>4426</b>	2
3	lock washer	use kit <b>6000EHK</b>	4
4	bolt	use kit <b>6000EHK</b>	4
5	sight glass	use kit <b>6200SGK</b>	1

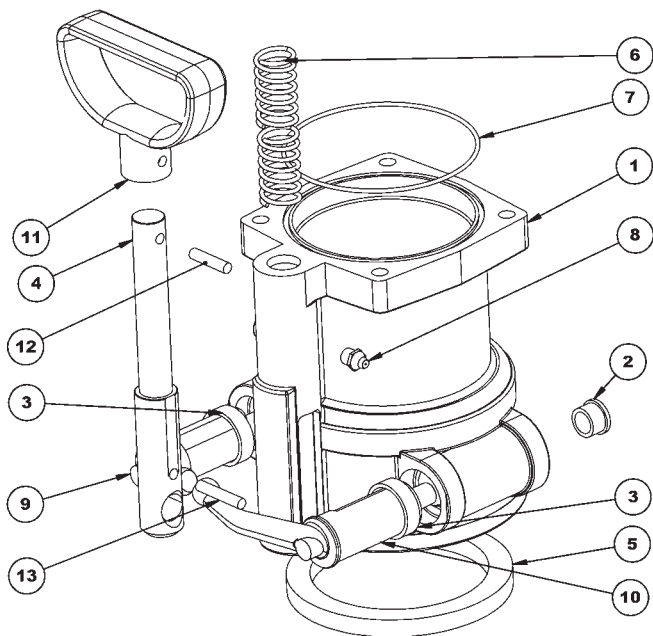
### Repair Kits

Part #	Description	Includes Item #
<b>6200SGK</b>	replacement sight glass and Baylast™ seal	2, 5
<b>6000EHK</b>	replacement bolts and washers	3, 4

## Bottom Unit, for "D" Handle Elbows

Fits 6000, 6303 and 6304

Petroleum Replacement Parts



### Bill of Materials

Item #	Description	Part #	Qty
1	body	use kit <b>6030</b>	1
2	small bushing	use kit <b>6200BK</b>	2
3	large bushing	use kit <b>6200BK</b>	2
4	handle stem	<b>6000-7</b>	1
5	main gasket	<b>6000-9</b>	1
6	spring	<b>112012</b>	1
7	O-ring	<b>AS156</b>	1
8	grease nipple	<b>NIPPLE/1</b>	1
9	right arm	use kit <b>6200ARK</b>	1
10	left arm	use kit <b>6200ARK</b>	1
11	handle	<b>6000-8</b>	1
12	handle pin	<b>6000-13</b>	1
13	pin	<b>6000-12</b>	1

### Repair Kits

Part #	Description	Includes Item #
<b>6030</b>	complete replacement bottom unit	all
<b>6200ARK</b>	replacement L and R arms, main gasket, O-rings, small and large bushings	2, 3, 5, 7, 9, 10
<b>6200BK</b>	replacement (2) small & (2) large bushings	2, 3

Product instruction sheets and technical data can be viewed on our website at [dixonvalve.com](http://dixonvalve.com)

# Fuel Delivery

## Top Side Lever Elbows

Fits 6200 Elbow Only

### Bill of Materials

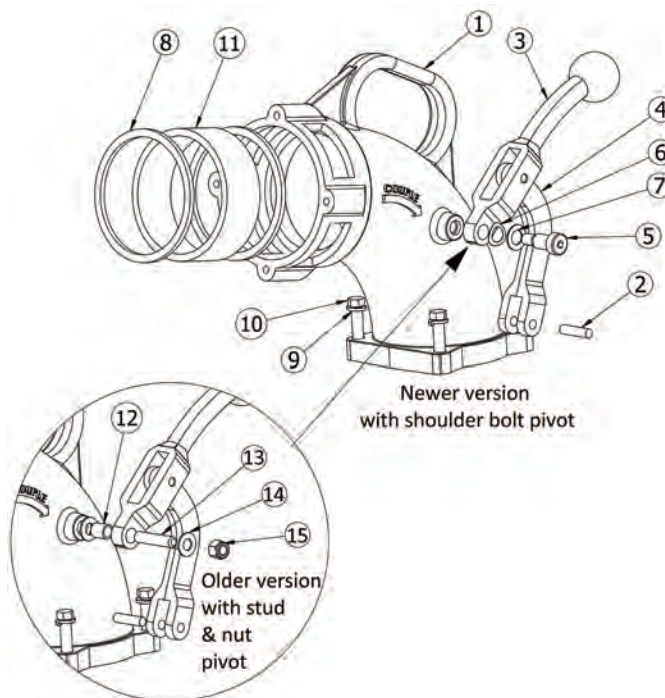
Item #	Description	Part #	Qty
1	body	<b>6200-1</b>	1
2	pin	<b>PIN5/16X 1 1/4P</b>	2
3	handle	use kit <b>6200-15ASSM</b>	1
4	handle linkage	use kit <b>6200-15ASSM</b>	1
5 <sup>1</sup>	shoulder bolt	use kit <b>6200SBK</b>	1
6 <sup>1</sup>	wave washer	use kit <b>6200SBK</b>	2
7 <sup>1</sup>	SS flat washer	use kit <b>6200SBK</b>	1
8A	Baylast™ gasket	<b>4433</b>	2
8B	FKM gasket (optional)	<b>4426</b>	2
9	lock washer	use kit <b>6000EHK</b>	4
10	bolt	use kit <b>6000EHK</b>	4
11	sight glass	use kit <b>6200SGK</b>	1
12 <sup>2</sup>	bushing	use kit <b>6200SHK</b>	1
13 <sup>2</sup>	stud	use kit <b>6200SHK<sup>2</sup></b>	1
14 <sup>2</sup>	nylon washer	use kit <b>6200SHK<sup>2</sup></b>	2
15 <sup>2</sup>	nut	use kit <b>6200SHK<sup>2</sup></b>	1

### Repair Kits

Part #	Description	Includes Item #
<b>6200-15ASSM</b>	replacement handle, linkage	2, 3, 4
<b>6200SGK</b>	replacement sight glass and Baylast™ seals	8, 11
<b>6000EHK</b>	replacement bolts and lock washers	9, 10
<b>6200SBK<sup>1</sup></b>	replacement shoulder bolt pivot, wave washer and flat washer	5, 6, 7
<b>6200SHK<sup>2</sup></b>	replacement stud pivot, nylon washers, bushing and nut	12, 13, 14, 15

<sup>1</sup> items 5 through 7 are for newer version with shoulder bolt pivot only

<sup>2</sup> for older version with stud and nut pivot use items 12 through 15 instead



## Bottom Unit, for Side Lever Elbows

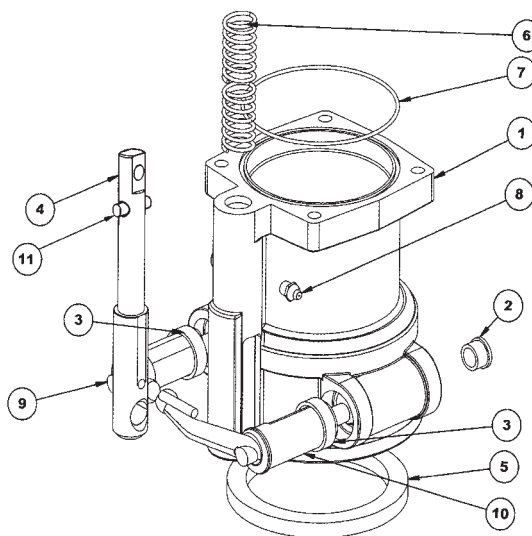
Fits 6200, 6400 and 6500 Standard and Tall Elbows

### Bill of Materials

Item #	Description	Part #	Qty
1	body	use kit <b>6230 or 6230X</b>	1
2	small bushing	use kit <b>6200BK</b>	2
3	large bushing	use kit <b>6200BK</b>	2
4A	handle stem (standard)	<b>6200-7</b>	1
4B	handle stem (tall)	<b>6200-7X</b>	1
5	main gasket	<b>6000-9</b>	1
6	spring	<b>112012</b>	1
7	O-ring	<b>AS156</b>	1
8	grease nipple	<b>NIPPLE/1</b>	1
9	right arm	use kit <b>6200ARK</b>	1
10	left arm	use kit <b>6200ARK</b>	1
11	pin	<b>PIN5/16X 1 1/4P</b>	1

### Repair Kits

Part #	Description	Includes Item #
<b>6230</b>	complete standard replacement bottom unit	all
<b>6230X</b>	complete tall replacement bottom unit	all
<b>6200ARK</b>	replacement L and R arms, main gasket, O-rings, small and large bushings	2, 3, 5, 7, 9, 10
<b>6200BK</b>	replacement small and large bushings	2, 3

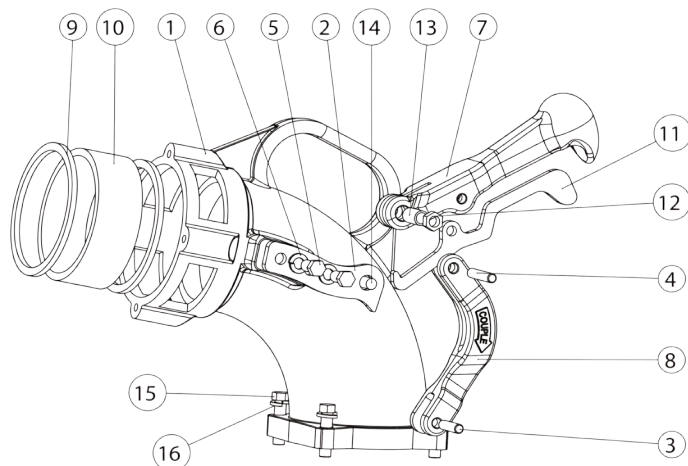


Product instruction sheets and technical data can be viewed on our website at [dixonvalve.com](http://dixonvalve.com)

# Fuel Delivery

## Top Side Lever Elbows

Fits 6500 Elbow Only



For bottom end replacement parts, please see below

### Bill of Materials

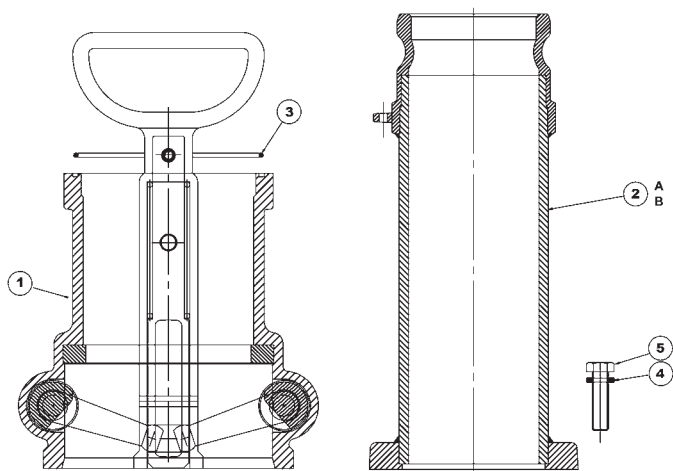
Item #	Description	Part #	Qty
1	body	<b>341709</b>	1
2	mounting plate	use kit <b>6500AHK</b>	1
3	lower lever pin	<b>111728</b>	1
4	upper lever pin	<b>111727</b>	1
5	plate screw	<b>112242</b>	3
6	washer	<b>WASHER.375-SS</b>	3
7	handle	use kit <b>6500-RK1</b>	1
8	linkage	use kit <b>6500-RK1</b>	1
9A	Baylast™ gasket	<b>4433</b>	2
9B	FKM gasket (optional)	<b>4426</b>	2
10	sight glass	use kit <b>6200SGK</b>	1
11	locking latch	use kit <b>6500-RK1</b>	1
12	lock nut	<b>111730</b>	1
13	bushing	<b>390841</b>	1
14	screw	<b>111729</b>	1
15	bolt	use kit <b>6000EHK</b>	4
16	lock washer	use kit <b>6000EHK</b>	4

### Repair Kits

Part #	Description	Includes Item #
<b>6200SGK</b>	replacement sight glass and Baylast™ seals	9A, 10
<b>6000EHK</b>	replacement bolts, washers	15, 16
<b>6500-RK1</b>	replacement handle, linkage, lock latch, nut, bushing, pins	2, 3, 4, 5, 6, 7, 8, 11, 12, 13, 14
<b>6500AHK</b>	replacement mounting plate, screws and lock washers	2, 5, 6, 14

## 6303 and 6304 Series Straight Drop Fittings

6303 (3" inlet), 6304 (4" inlet)



### Bill of Materials

Item #	Description	Part #	Qty
1	complete bottom unit	<b>6030</b>	1
2A	4" adapter inlet tube	<b>6304-1</b>	1
2B	4" MNPT inlet tube	<b>400460</b>	1
2C	3" adapter inlet tube	<b>6300-3</b>	1
2D	3" MNPT inlet tube	<b>400588</b>	1
3	O-ring	<b>AS156</b>	1
4	lock washer	use kit <b>6000EHK</b>	4
5	bolt	use kit <b>6000EHK</b>	4

### Elbow Hardware Kit

Part #	Description	Includes Item #
<b>6000EHK</b>	lock washer, bolt	4, 5

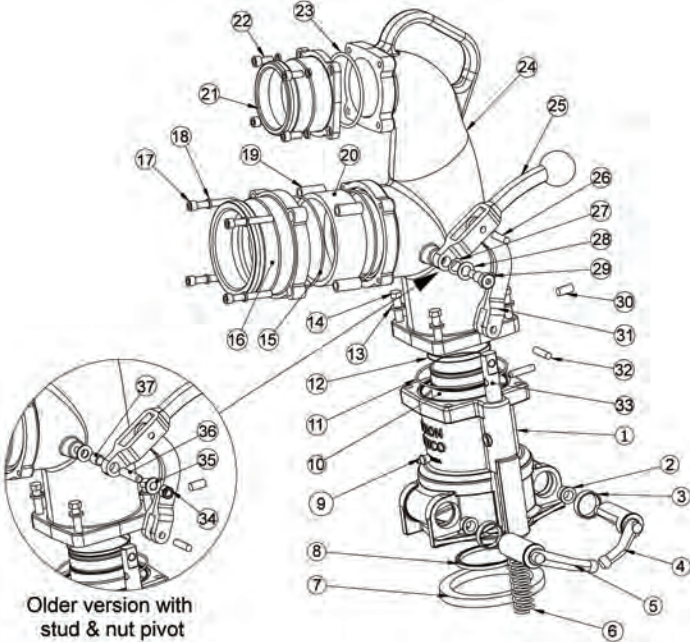
Product instruction sheets and technical data can be viewed on our website at [dixonvalve.com](http://dixonvalve.com)



# Fuel Delivery

## 6400 Series Co-axial Drop Elbow with 3" Male Vapor Outlet

6400 (4" male inlet), 6400F (4" female inlet), 6430 (3" male inlet), 6430F (3" female inlet)



### Bill of Materials

Item #	Description	Part #	Qty
1	bottom body	use kit <b>6230 or 6230X</b>	1
2	small bushing	use kit <b>6400ARK</b>	2
3	large bushing	use kit <b>6400ARK</b>	2
4	right arm	use kit <b>6400ARK</b>	1
5	left arm	use kit <b>6400ARK</b>	1
6	stem spring	<b>112012</b>	1
7	main gasket	<b>6000-9</b>	1
8	tube U cup seal	<b>U-CUP-2/75</b>	1
9	grease nipple	<b>NIPPLE/1</b>	1
10	tube	use kit <b>6400DTK</b>	1
11	O-ring	<b>AS156</b>	1
12	tube O-ring	<b>O-RING#39</b>	2
13	lock washer	use kit <b>6000EHK</b>	4
14	bolt	use kit <b>6000EHK</b>	4
15	inlet O-ring	<b>AS156</b>	2
16A	4" adapter fuel inlet (6400)	use kit <b>6000-17C</b>	1
16B	4" coupler fuel inlet (6400F)	use kit <b>6000-14C</b>	1
16C	3" adapter fuel inlet (6430)	use kit <b>6000-16C</b>	1
16D	3" coupler fuel inlet (6430F)	use kit <b>6000-15C</b>	1
17	inlet bolt	<b>SC5/16-18X2.5P</b>	4
18	inlet bolt lock washer	<b>111723</b>	4
19	inlet bolt spacer	<b>6544CA-1</b>	4
20	sight glass	use kit <b>6400SGK</b>	1
21A	3" adapter vapor outlet	<b>6400-4</b>	1
21B	3" male NPT vapor outlet	<b>6000-26C</b>	1
22	vapor adapter bolt	<b>4432</b>	4
23	vapor adapter O-ring	<b>110601</b>	1
24	top co-axial elbow body	<b>6400-1</b>	1
25	handle	use kit <b>6200-15ASSM</b>	1
26	handle pin	<b>PIN5/16X 1 1/4P</b>	1
27	wave washer <sup>1</sup>	use kit <b>6200SBK <sup>1</sup></b>	1
28	SS flat washer <sup>1</sup>	use kit <b>6200SBK <sup>1</sup></b>	1
29	shoulder bolt <sup>1</sup>	use kit <b>6200SBK <sup>1</sup></b>	1
30	set screw	<b>SC3/8NCX1/2</b>	1
31	linkage	use kit <b>6200-15ASSM</b>	1
32	stem pin	<b>PIN5/16X 1 1/4P</b>	1
33A	lever stem (standard)	<b>6200-7</b>	1
33B	lever stem (tall)	<b>6200-7X</b>	1
34	pivot lock nut <sup>2</sup>	use kit <b>6200SHK <sup>2</sup></b>	1
35	washer <sup>2</sup>	use kit <b>6200SHK <sup>2</sup></b>	2
36	pivot stud <sup>2</sup>	use kit <b>6200SHK <sup>2</sup></b>	1
37	pivot bushing <sup>2</sup>	use kit <b>6200SHK <sup>2</sup></b>	1

### Repair Kits

Part #	Description	Includes Item #
<b>6230</b>	complete standard replacement bottom unit	1-7, 9, 11, 32, 33A
<b>6230X</b>	complete tall replacement bottom unit	1-7, 9, 11, 32, 33B
<b>6400ARK</b>	replacement L & R arms, main gasket, O-rings, small & large bushings	2-5, 7, 8, 11, 12
<b>6200BK</b>	replacement small & large bushings	2, 3
<b>6400SGK</b>	replacement sight glass and seal	15, 20
<b>6200-15ASSM</b>	replacement handle, lever and pin	25, 26, 31
<b>6000EHK</b>	replacement bolts and washers	13, 14
<b>6400DTK</b>	replacement tube, O-ring & U cup seal	8, 10, 12
<b>6200SHK<sup>2</sup></b>	replacement pivot stud, bushing, washer and lock nut	34-37
<b>6200SBK<sup>1</sup></b>	replacement shoulder bolt pivot, wave washer and flat washer	27-29

### Inlet Adapter and Coupler Kits

Part #	Description	Includes Item #
<b>6000-14C</b>	4" coupler inlet kit	16B, 17, 18
<b>6000-15C</b>	3" coupler inlet kit	16D, 17, 18
<b>6000-16C</b>	3" adapter inlet kit	16A, 17, 18
<b>6000-17C</b>	4" adapter inlet kit	16C, 17, 18
<b>6000-26C</b>	3" male NPT vapor outlet	21B

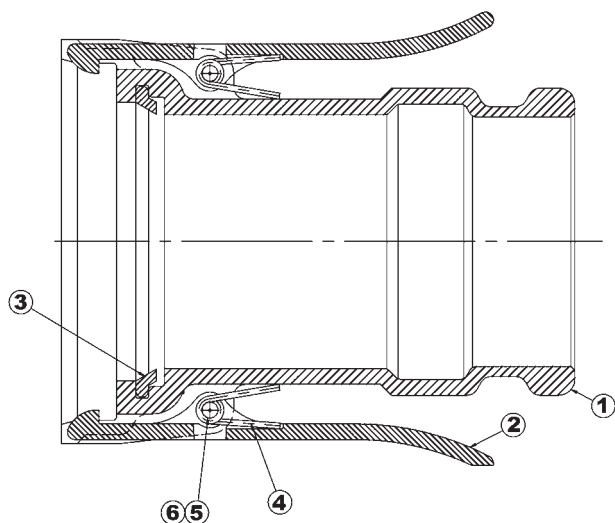
<sup>1</sup> items 27, 28 & 29 are for the newer version with a shoulder bolt pivot only.  
<sup>2</sup> for the older version with stud and nut pivot, use items 34 through 37 instead.

Petroleum Replacement Parts

Product instruction sheets and technical data can be viewed on our website at [dixonvalve.com](http://dixonvalve.com)

# Fuel Delivery

## 6000-SSA Series 4" Side Seal Adapters



### Bill of Materials

Item #	Description	Part #	Qty
1	body	---	1
2	coupler arm	use kit <b>6000SSHK</b>	2
3	lip seal	<b>L2373</b>	1
4	spring	<b>L2312</b>	2
5	pin	<b>L2311</b>	2
6	retaining ring	<b>TRUARC-5100-25</b>	4

### Repair Kit

Part #	Description	Includes Item #
<b>6000SSHK</b>	replacement arms, springs, pins and retaining rings	2, 4, 5, 6

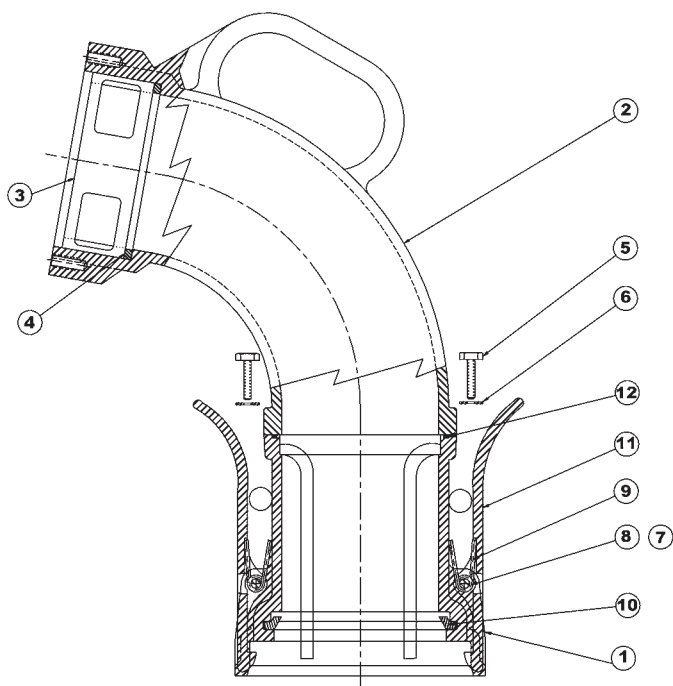
## 6000AS Series Side Seal Elbows

### Bill of Materials

Item #	Description	Part #	Qty
1	bottom body	use kit <b>6030AS</b>	1
2	top body	<b>6200-1</b>	1
3	sight glass	use kit <b>6200SGK</b>	1
4A	Baylast™ seal	<b>4433</b>	2
4B	FKM seal	<b>4426</b>	2
5	bolt	use kit <b>6000EHK</b>	4
6	lock washer	use kit <b>6000EHK</b>	4
7	retaining ring	<b>TRUARC-5100-25</b>	4
8	pin	<b>L2311</b>	2
9	spring	<b>L2312</b>	2
10	lip seal	<b>L2373</b>	1
11	arm	use kit <b>6000SSHK</b>	2
12	O-ring	<b>AS156</b>	1

### Repair Kit

Part #	Description	Includes Item #
<b>6000ASK</b>	replacement lip seal and body O-ring	10, 12
<b>6030AS</b>	complete replacement bottom unit	1, 7, 8, 9, 10, 11, 12
<b>6200SGK</b>	replacement sight glass and Baylast™ seals	3, 4
<b>6000EHK</b>	replacement lock washers and bolts	5, 6
<b>6000SSHK</b>	replacement arms, springs, pins and retaining rings	7, 8, 9, 11
<b>6000ASR</b>	arm lock ring	not illustrated



Petroleum Replacement Parts

Product instruction sheets and technical data can be viewed on our website at [dixonvalve.com](http://dixonvalve.com)

# Fuel Delivery/Vapor Recovery

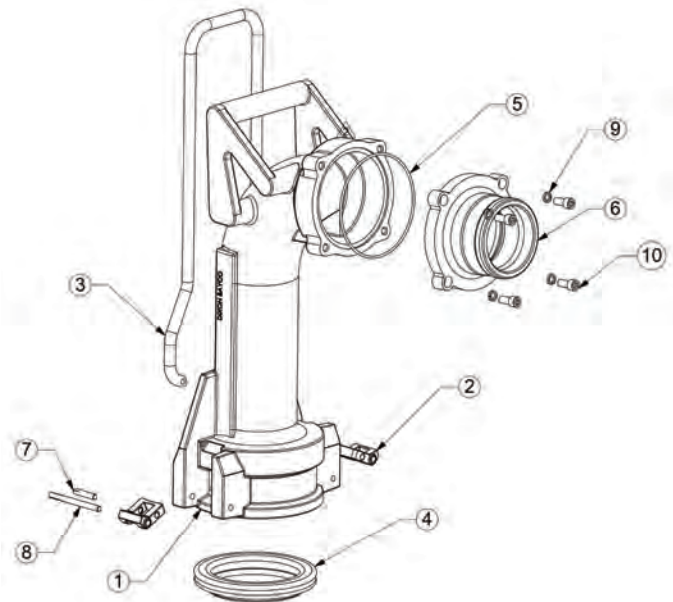
## VR6100 Series Vapor Elbows

### Bill of Materials

Item #	Description	Part #	Qty
1	body	---	1
2	cam	use kit <b>VR6100CAK</b>	2
3	lift handle	<b>112138-L</b>	1
4	seal	<b>112245</b>	1
5	O-ring	use kit <b>VR6000-6</b>	1
6	adapter 3"	use kit <b>VR6000-6</b>	1
7	grooved pin .25X1.25 SS	use kit <b>VR6100CAK</b>	2
8	grooved pin .25X3 SS	use kit <b>VR6100CAK</b>	2
9	lock washer	use kit <b>6000NPHK</b>	4

### Repair Kit

Part #	Description	Includes Item #
<b>VR6100CAK</b>	replacement (2) cam and pin kit	2, 7, 8
<b>6000NPHK</b>	adapter hardware kit (4) bolts and washer replacement	9, 10
<b>112245</b>	replacement seals	4



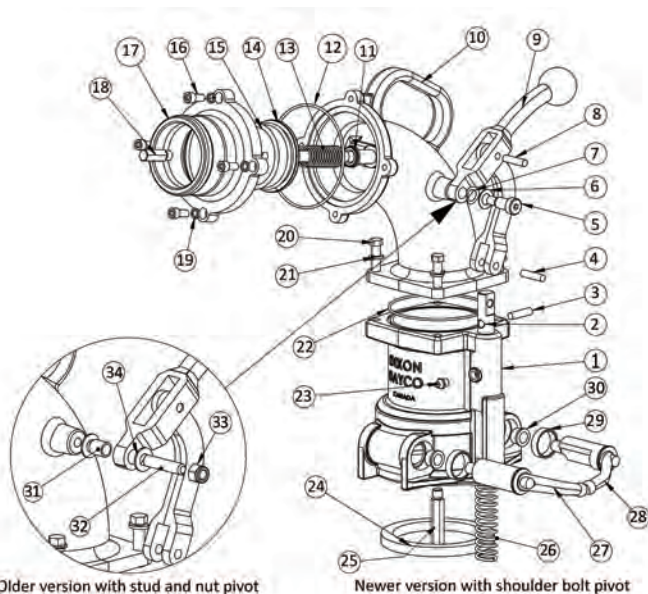
Product instruction sheets and technical data can be viewed on our website at [dixonvalve.com](http://dixonvalve.com)

# Fuel Delivery/Vapor Recovery

## VR6200 Series Vapor Elbows

### Bill of Materials

Item #	Description	Part #	Qty
1	bottom body	use kit <b>VR6230</b>	1
2	stem	<b>6200-7</b>	1
3	stem stop pin	<b>PIN5/16X11/4P</b>	1
4	stem link pin	<b>PIN5/16X11/4P</b>	1
5 <sup>1</sup>	shoulder bolt pivot	use kit <b>6200SBK<sup>1</sup></b>	1
6 <sup>1</sup>	SS flat washer	use kit <b>6200SBK<sup>1</sup></b>	1
7 <sup>1</sup>	wave washer	use kit <b>6200SBK<sup>1</sup></b>	1
8	handle pin	<b>PIN5/16X 1 1/4P</b>	1
9	handle and linkage	use kit <b>6200-15ASSM</b>	1
10	top elbow body	<b>VR6000-1</b>	1
11	poppet bushing	<b>VR6000-3</b>	1
12	outlet O-Ring only	<b>110319</b>	1
13	poppet spring	<b>L1110-L2287</b>	1
14	FKM poppet seal	<b>O-RING-AS-334</b>	1
15	poppet valve	<b>VR6000-4</b>	1
16	outlet adapter bolt	use kit <b>6000NPHK</b>	4
17	outlet adapter with outlet O-ring	<b>VR6000-6</b>	1
18	poppet valve stand off	<b>VR6000-5</b>	1
19	lock washer	use kit <b>6000NPHK</b>	4
20	bolt	use kit <b>6000EHK</b>	4
21	lock washer	use kit <b>6000EHK</b>	4
22	body O-ring	<b>AS156</b>	1
23	grease nipple	<b>NIPPLE/1</b>	1
24	main seal gasket	<b>6000-9</b>	1
25	probe	<b>VR6000-7</b>	1
26	stem spring	<b>112012</b>	1
27	left arm	<b>VR6000-9</b>	1
28	right arm	<b>VR6000-8</b>	1
29	large bushing	use kit <b>6200BK</b>	2
30	small bushing	use kit <b>6200BK</b>	2
31 <sup>2</sup>	pivot bushing	use kit <b>6200SHK<sup>2</sup></b>	1
32 <sup>2</sup>	pivot stud	use kit <b>6200SHK<sup>2</sup></b>	1
33 <sup>2</sup>	pivot lock nut	use kit <b>6200SHK<sup>2</sup></b>	1
34 <sup>2</sup>	nylon washer	use kit <b>6200SHK<sup>2</sup></b>	2



Petroleum Replacement Parts

### Repair Kit

Part #	Description	Includes Item #
<b>VR6230</b>	complete replacement bottom unit	1, 2, 3, 22-30
<b>6200BK</b>	replacement small (2) and large (2) bushing kit	29, 30
<b>6000EHK</b>	replacement body lock washers and bolts	20, 21
<b>6200SHK<sup>2</sup></b>	replacement pivot stud, bushing, washers & lock nut	31-34
<b>6000NPHK</b>	adapter kit bolts (4) and lock washers	16, 19
<b>6200-15ASSM</b>	replacement handle, linkage and pin	8, 9
<b>6200SBK<sup>1</sup></b>	replacement shoulder pivot bolt, wave washer and flat washer	5-7
<b>VR6200ARK</b>	arm and seal repair kit	14,22,24,27-30

<sup>1</sup> items 5 through 7 are for newer version with shoulder bolt pivot only,

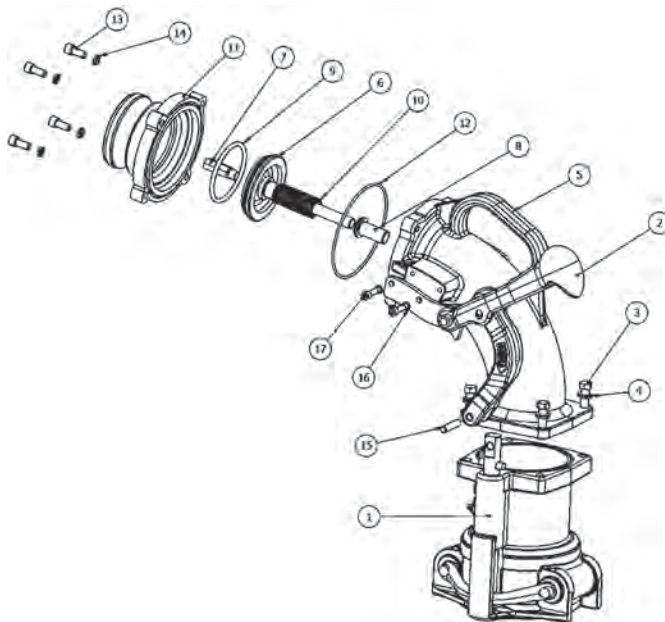
<sup>2</sup> for older version with stud and nut pivot use items 31 through 34 instead

# Fuel Delivery/Vapor Recovery

## VR6500 Series Vapor Elbows

### Bill of Materials

Item #	Description	Part #	Qty
1	complete bottom body	<b>VR6230</b>	1
2	handle assembly	use kit <b>VR6500RK1</b>	1
3	body bolt	use kit <b>6000EHK</b>	4
4	body lock washer	use kit <b>6000EHK</b>	4
5	elbow body	<b>341784</b>	1
6	poppet valve	<b>VR6000-4</b>	1
7	poppet valve stand off	<b>VR6000-5</b>	1
8	poppet bushing	<b>VR6000-3</b>	1
9	FKM O-ring	<b>O-RING-AS-334</b>	1
10	poppet spring	<b>L1110-L2287</b>	1
11	outlet adapter & O-ring	<b>VR6000-6</b>	1
12	outlet O-ring	<b>110319</b>	1
13	outlet adapter bolt	use kit <b>6000NPHK</b>	4
14	outlet lock washer	use kit <b>6000NPHK</b>	4
15	lower lever pin	<b>111728</b>	1
16	side plate lock washer	<b>WASHER.375-SS</b>	2
17	side plate bolt	<b>112242</b>	2



### Repair Kit

Part #	Description	Includes Item #
<b>VR6500RK1</b>	replacement handle, linkage, mounting plate, bolt, nut, bushing and pins	2
<b>6000EHK</b>	replacement (4) body bolts and washers	3, 4
<b>6000NPHK</b>	adapter hardware kit (4) bolts and lock washers	13, 14

Petroleum Replacement Parts

Product instruction sheets and technical data can be viewed on our website at [dixonvalve.com](http://dixonvalve.com)

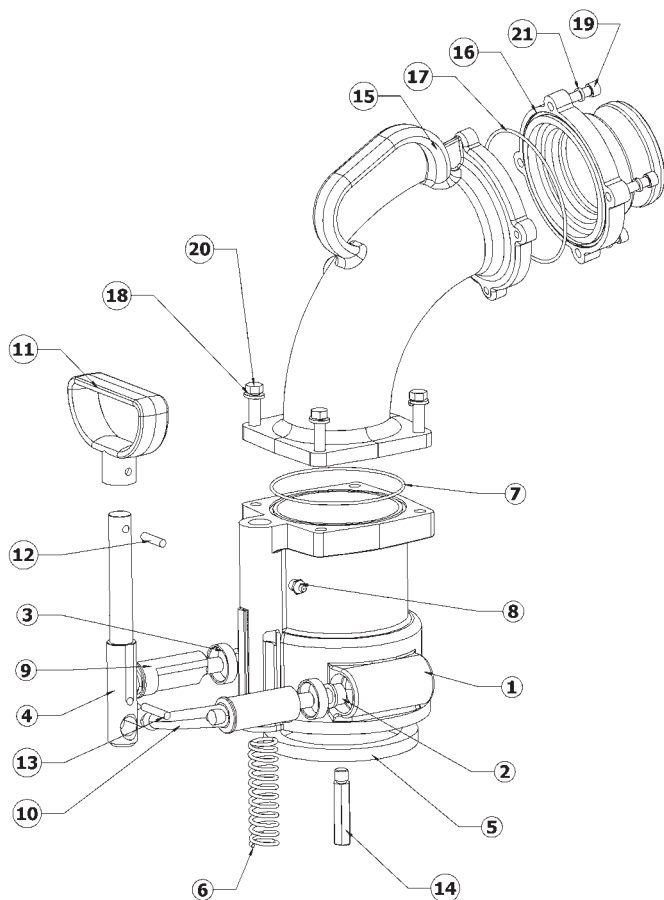


# Fuel Delivery/Vapor Recovery

## VR6000NP Series Vapor Elbows

### Bill of Materials

Item #	Description	Part #	Qty
1	bottom body	<b>VR6000-2</b>	1
2	small bushing	use kit <b>6200BK</b>	2
3	large bushing	use kit <b>6200BK</b>	2
4	handle stem	<b>390842</b>	1
5	main seal gasket	<b>6000-9</b>	1
6	spring	<b>112012</b>	1
7	O-ring	<b>AS156</b>	1
8	grease nipple	<b>NIPPLE/1</b>	1
9	right arm	<b>VR6000-8</b>	1
10	left arm	<b>VR6000-9</b>	1
11	D-handle	<b>6000-8</b>	1
12	D-handle pin	<b>6000-13</b>	1
13	spring pin	<b>6000-12</b>	1
14	probe	<b>VR6000-7</b>	1
15	elbow body	<b>VR6000-1</b>	1
16	outlet adapter and O-ring	<b>VR6000-6</b>	1
17	outlet O-ring (only)	<b>110319</b>	1
18	body lock washer	use kit <b>6200EHK</b>	4
19	outlet adapter bolt	use kit <b>6000NPHK</b>	4
20	body hex bolt	use kit <b>6200EHK</b>	4
21	outlet adapter lock washer	use kit <b>6000NPHK</b>	4



### Repair Kit

Part #	Description	Includes Item #
<b>6200BK</b>	replacement small (2) and large (2) bushing kit	2, 3
<b>6000EHK</b>	replacement body lock washers and bolts	18, 20
<b>6000NPHK</b>	adapter kit bolts (4) and lock washers	19, 21
<b>400637</b>	complete replacement bottom unit	1, 2, 3, 4, 5, 6, 7, 8, 9, 10, 11, 12, 13, 14

Petroleum  
Replacement Parts

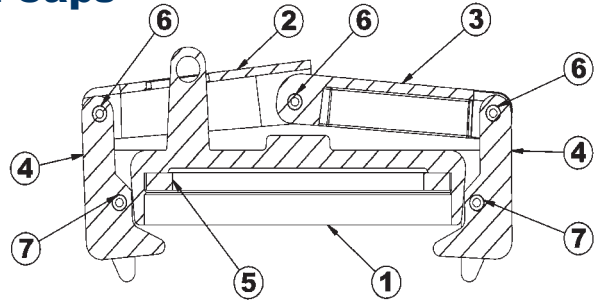
Product instruction sheets and technical data can be viewed on our website at [dixonvalve.com](http://dixonvalve.com)

# Fuel Delivery/Vapor Recovery

## SA4050AL Caps

### Bill of Materials

Item #	Description	Part #	Qty
1	cap body	---	1
2	top large lever	<b>4050AL</b>	1
3	minor lever	<b>4062AL</b>	1
4	cam arm	<b>4063</b>	2
5	gasket	<b>400-G-BU</b>	1
6	lever pin	<b>4066</b>	3
7	cam arm pin	<b>4068</b>	2

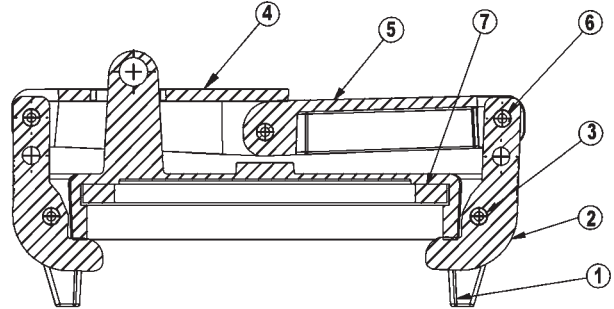


## 4" Vapor Caps

VR4050AL

### Bill of Materials

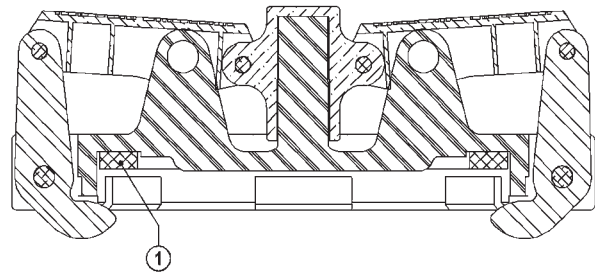
Item #	Description	Part #	Qty
1	cap body	---	1
2	cam arm	<b>VR4075</b>	2
3	arm pin	<b>4068</b>	2
4	top large lever	<b>VR4077</b>	1
5	minor lever	<b>VR4076</b>	1
6	lever pin	<b>4066</b>	3
7	Buna gasket	<b>400-G-BU</b>	1



## VR4050PL Series 4" Nylon Vapor Caps

### Bill of Materials

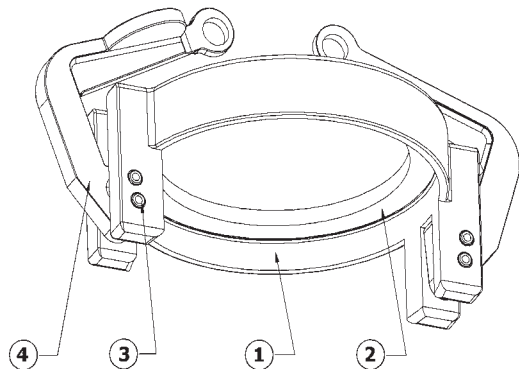
Item #	Description	Part #	Qty
1	gasket	<b>VR4050PLRK1</b>	1



## TL4070BZ Series Bronze Caps

### Bill of Materials

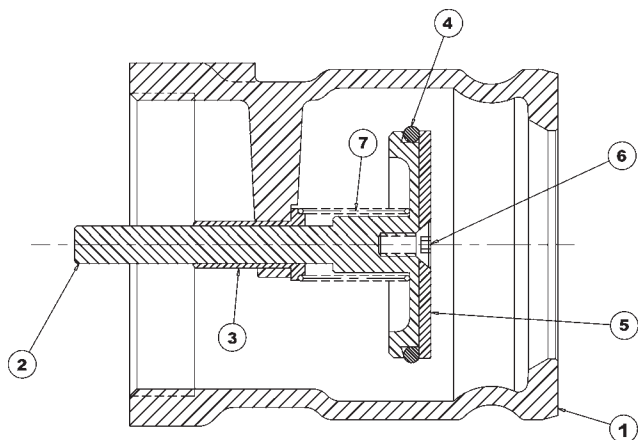
Item #	Description	Part #	Qty
1	cap body	---	1
2	Buna gasket	<b>400-G-BU</b>	1
3	arm pin	<b>4068</b>	4
4	arm (lever)	<b>4071</b>	2



Product instruction sheets and technical data can be viewed on our website at [dixonvalve.com](http://dixonvalve.com)

# Fuel Delivery/Vapor Recovery

## VR3100 Series 3" Vapor Hose Valves



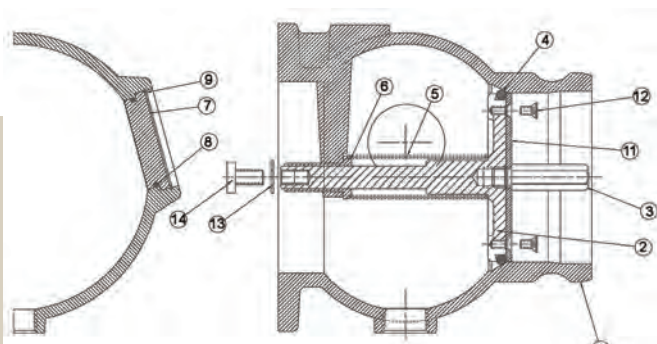
### Bill of Materials

Item #	Description	Part #	Qty
1	body	---	1
2	valve	<b>341827</b>	1
3	bushing	<b>VR6000-3</b>	1
4	FKM O-ring	<b>O-RING-AS-334</b>	1
5	valve plate	<b>VR4100-3</b>	1
6	screw	<b>SC5-16NCX.75FSS</b>	1
7	valve spring	<b>SPRING-L5123</b>	1

### Repair Kit

Part #	Description	Includes Item #
<b>VR4100RK1</b>	valve, bushing, O-ring, valve plate, screw, and spring	2, 3, 4, 5, 6, 7

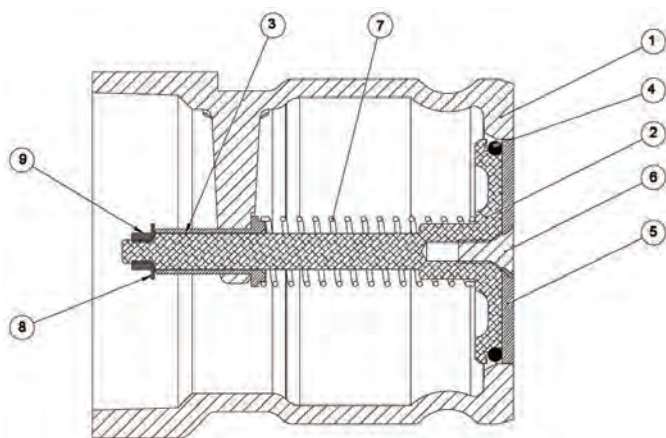
## VR4000 Series 4" Vapor Hose Valves



### Bill of Materials

Item #	Description	Part #	Qty
1	body	---	1
2	valve	<b>VR4000-2</b>	1
3	valve standoff	<b>VR4000-3</b>	1
4	valve O-ring	<b>O-RING-AS339-V</b>	1
5	spring	<b>SPRG/L4432</b>	1
6	bushing	<b>VR6000-3</b>	1
7	sight glass	<b>VR4000-4</b>	2
8	sight glass O-ring	<b>O-RING#132</b>	2
9	retaining ring	<b>RING-VH-225</b>	2
10	plug	<b>110748</b>	1
11	valve plate	<b>VR4000-5</b>	1
12	valve plate screws	<b>SC1024375-SS</b>	2
13	washer	<b>112270</b>	1
14	hex cap screw	<b>112269</b>	1

## VR4100 Series 4" Vapor Hose Valves



### Bill of Materials

Item #	Description	Part #	Qty
1	body	---	1
2	valve	<b>341827</b>	1
3	bushing	<b>VR6000-3</b>	1
4	FKM O-ring	<b>O-RING-AS-334</b>	1
5	valve plate	<b>VR4100-3</b>	1
6	screw	<b>SC5-16NCX.75FSS</b>	1
7	valve spring	<b>SPRING-L5123</b>	1
8	washer	<b>112270</b>	1
9	nut	<b>112271</b>	1

### Repair Kit

Part #	Description	Includes Item #
<b>VR4100RK1</b>	valve, bushing, O-ring, valve plate, screw, and spring	2, 3, 4, 5, 6, 7

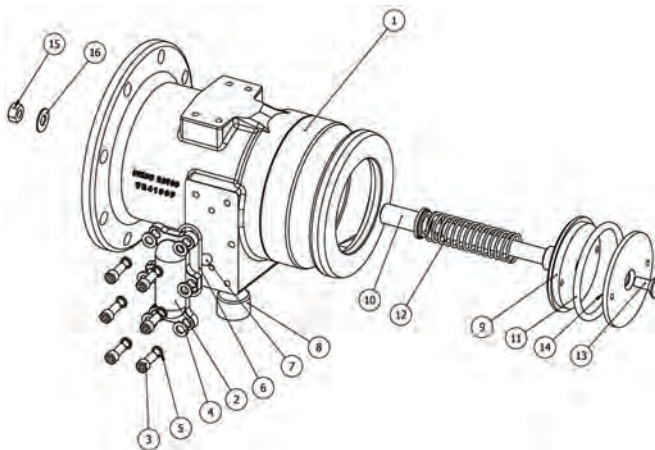
Product instruction sheets and technical data can be viewed on our website at [dixonvalve.com](http://dixonvalve.com)

# Fuel Delivery/Vapor Recovery

## VR4100F Series Vapor Hose Valves

### Bill of Materials

Item #	Description	Part #	Qty
1	body	---	1
2	sight glass	111575	1
3	sight glass bolts	111570	6
4	sight glass washer	111562	4
5	sight glass lock washer	111569	6
6	sight glass O-ring	111733	1
7	sight glass float ball	111572	1
8	3/4" body plug	112044	1
9	valve	VR4100-2	1
10	bushing	VR6000-3	1
11	FKM valve O-ring	O-RING-AS-334	1
12	valve spring	SPRING-L5123	1
13	screw	SC5-16NCX.75FSS	1
14	valve plate	VR4100-3	1
15	washer	112271	1
16	nut	112270	1



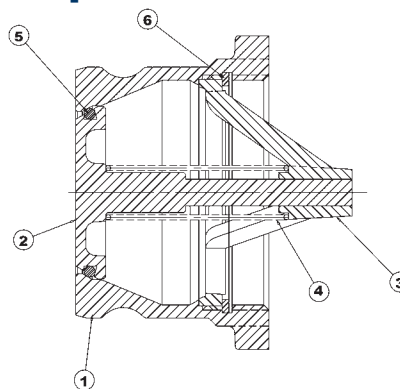
### Repair Kit

Part #	Description	Includes Item #
5204K8	sight glass, O-ring, float ball	2, 6, 7
5204K12	hex bolts (6), lock washers (6), washers (4) kit	3, 4, 5

## VR4086 Series Vapor Adapters

### Bill of Materials

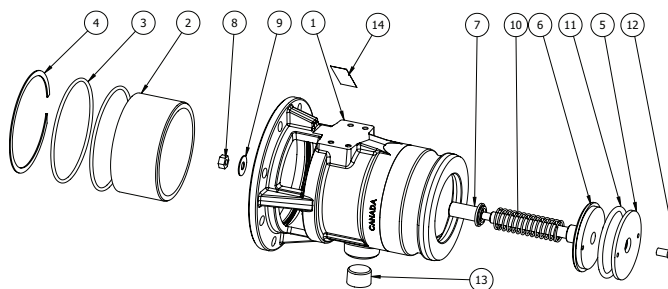
Item #	Description	Part #	Qty
1	body	---	1
2	valve	340331	1
3	valve spider	340304	1
4	spring	110892	1
5	FKM O-ring	O-RING-AS-334	1
6	body gasket	G4000AS	1



## VR4100F-SFI Series Vapor Hose Coupler

### Bill of Materials

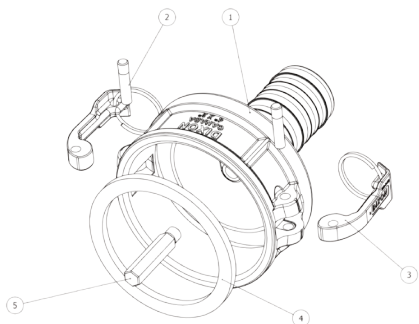
Item #	Description	Part #	Qty
1	body	341832	1
2	sight glass	391855	1
3	O-ring	112180	2
4	retaining ring	112281	1
5	plate	390663	1
6	valve	341827	1
7	bushing	390146	1
8	nut	112271	1
9	washer	112270	1
10	spring	111197	1
11	O-ring FKM	110691	1
12	screw	110842	1
13	plug	112044	1
14	warning label	112205	1



Product instruction sheets and technical data can be viewed on our website at [dixonvalve.com](http://dixonvalve.com)

# Fuel Delivery/Vapor Recovery

## 4020-CVR-AL Vapor Hose Couplers

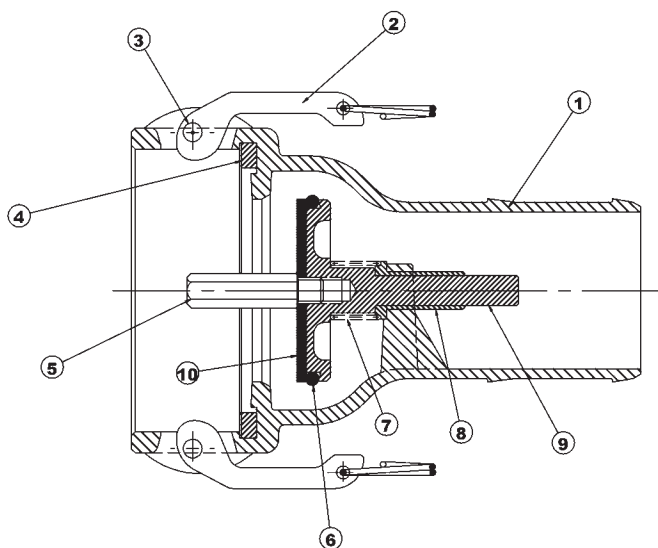


### Bill of Materials

Item #	Description	Part #	Qty
1	body	---	1
2	pin	<b>325-P</b>	2
3	cam arm with ring	<b>300-HR-BR</b>	2
4	gasket 4"	<b>400-G-BU</b>	1
5	probe	<b>VR6000-7</b>	1

## VR4030CS-AL Vapor Hose Couplers

4" x 3" with poppet



### Bill of Materials

Item #	Description	Part #	Qty
1	body	---	1
2	cam arm and ring	<b>300-HRP-BR</b>	2
3	cam pin	<b>300-HRP-BR</b>	2
4	Buna coupler gasket	<b>400-G-BU</b>	1
5	probe	<b>VR6000-7</b>	1
6	FKM valve O-ring	<b>O-RING-AS-334</b>	1
7	spring	<b>SPRG/L4238</b>	1
8	bushing	<b>VR6000-3</b>	1
9	valve	<b>VR4030CS-1</b>	1
10	valve plate	<b>VR4030CS-4</b>	1

### Repair Kit

Part #	Description	Includes Item #
<b>VAC4030RK</b>	replacement cam arms, rings, pins, coupler gasket and valve O-ring	2, 3, 4, 6

Petroleum Replacement Parts

Product instruction sheets and technical data can be viewed on our website at [dixonvalve.com](http://dixonvalve.com)



# Fuel Delivery/Vapor Recovery

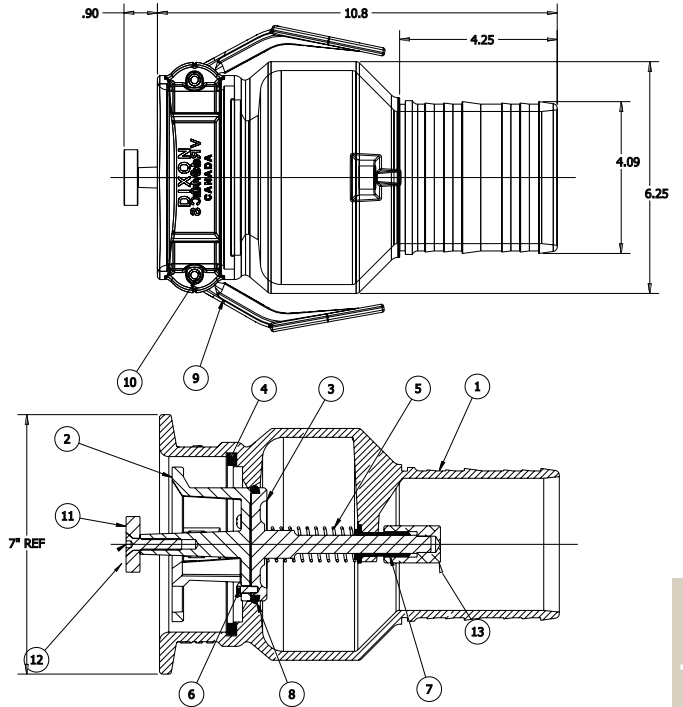
## VR4040CS-AL & VR4040CS-4MNPT Vapor Hose Couplers

### Bill of Materials

Item #	Description	Part #	Qty
1	body	---	1
2	cage	<b>341819</b>	1
3	poppet	<b>341820</b>	1
4	gasket Buna -N	<b>112262</b>	1
5	spring	<b>112263</b>	1
6	machine screw	<b>112264</b>	3
7	bushing	<b>VR6000-3</b>	1
8	O-ring FKM	<b>O-RING-AS-334</b>	1
9	paddle arm	<i>use kit VR4040CSRK2</i>	2
10	cam arm pin	<i>use kit VR4040CSRK2</i>	2
11A	standard button (VR4040CS-AL & VR4040CS-4MNPT)	<b>391860</b>	1
11B	long button (VR4040CS-ALL)	<b>391866</b>	1
12	screw	<b>112416</b>	1
13	poppet stop	<b>391868</b>	1

### Repair Kit

Part #	Description	Includes Item #
<b>VR4040CSRK1</b>	seal repair kit	4, 6, 8
<b>VR4040CSRK2</b>	cam arm repair kit	9, 10
<b>VR4040CSRK3</b>	internal repair kit	2,3,5,6,7,8,11,12,13
<b>VR4040CSRK4</b>	cage repair kit	2, 6, 11, 13

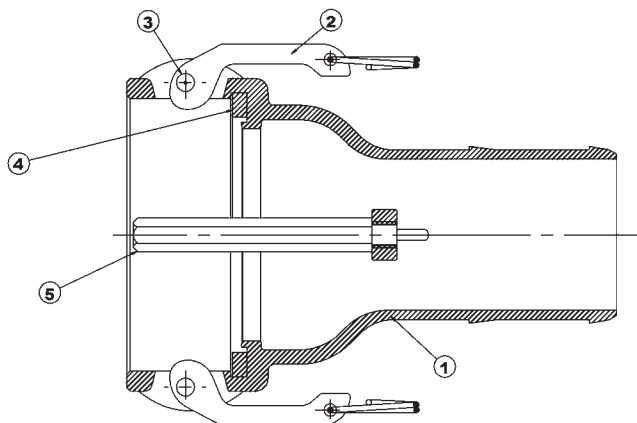


**NEW**

# Fuel Delivery/Vapor Recovery

## VR4030CS-NP Vapor Hose Couplers

4" x 3" without poppet

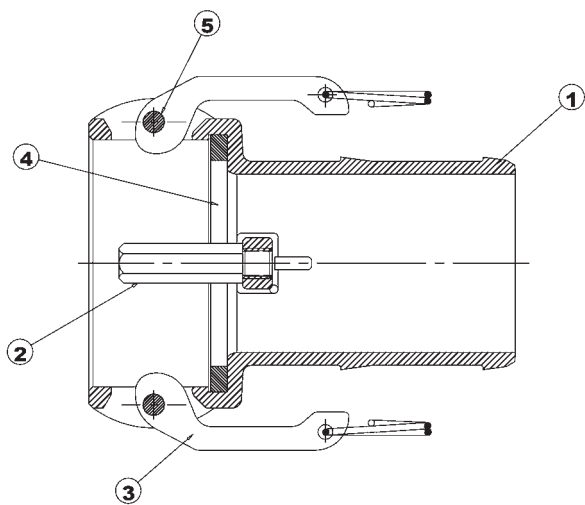


### Bill of Materials

Item #	Description	Part #	Qty
1	body	---	1
2	cam arm and ring	<b>300-HRP-BR</b>	2
3	cam arm pin	<b>300-HRP-BR</b>	2
4	Buna coupler gasket	<b>400-G-BU</b>	1
5	probe	<b>VR4030CS-3</b>	1

## VRC3000AL Vapor Hose Couplers

3" x 3"



### Bill of Materials

Item #	Description	Part #	Qty
1	body	---	1
2	probe	<b>L4217</b>	1
3	cam arm and ring	<b>300-HRP-BR</b>	2
4	Buna coupler gasket	<b>300-G-BU</b>	1
5	cam arm pin	<b>300-HRP-BR</b>	2

Petroleum  
Replacement Parts

Product instruction sheets and technical data can be viewed on our website at [dixonvalve.com](http://dixonvalve.com)

# Fuel Delivery/Vapor Recovery

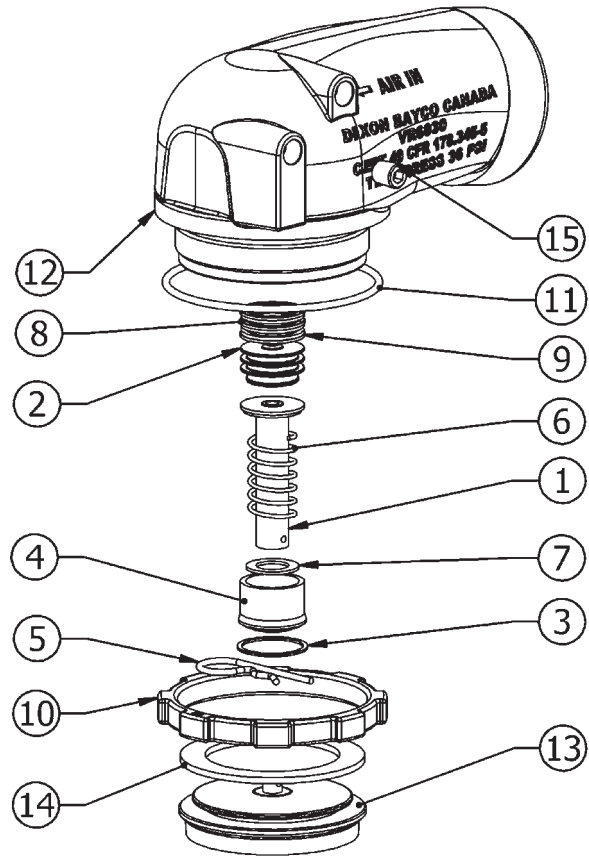
## VR6030SQ Series Sequential Vapor Vents

### Bill of Materials

Item #	Description	Part #	Qty
1	stem	400636	1
2	piston	use kit <b>VR6030RK2</b>	1
3	retaining ring	111681	1
4	bearing	390822	1
5	hitch pin	111680	1
6	spring	111679	1
7	bearing seal washer	111683	1
8	top lip seal	111686	2
9	bottom lip seal	111687	1
10A	mounting ring	390826	1
10B	mounting ring set screw	111693	1
11	O-ring	111692	1
12	body	---	1
13	poppet	341643	1
14A	Baylast™ poppet gasket	VR6030RK3	1
14B	FKM poppet gasket	VR6030RKV3	1
15	pipe plug	111694	1

### VR6030 Repair Kits

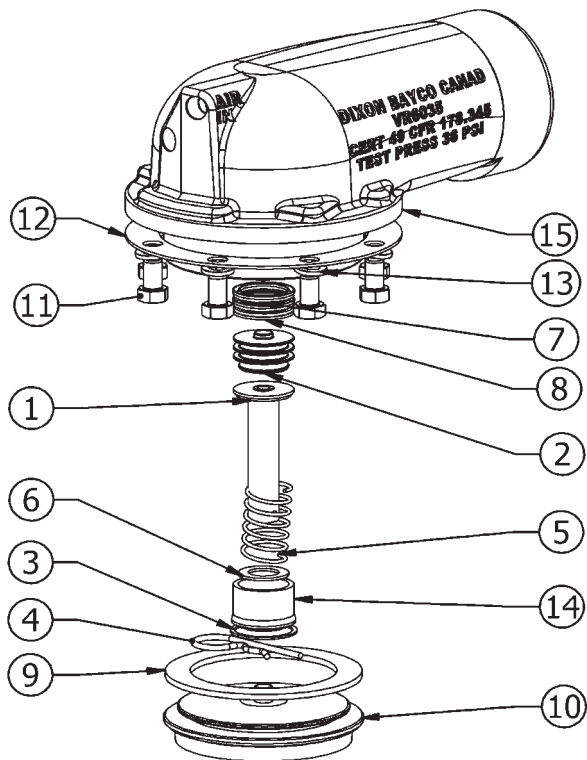
Part #	Description	Includes Item #
<b>VR6030RK1</b>	replacement seal kit (with Baylast™ poppet seal)	2, 3, 5, 8, 9, 11, 14A
<b>VR6030RKV1</b>	replacement seal kit (with FKM poppet seal)	2, 3, 5, 8, 9, 11, 14B
<b>VR6030RK2</b>	replacement piston assembly	2, 8, 9
<b>VR6030RK3</b>	replacement Baylast™ poppet gasket	14
<b>VR6030RKV3</b>	replacement FKM poppet gasket	14



Product instruction sheets and technical data can be viewed on our website at [dixonvalve.com](http://dixonvalve.com)

# Fuel Delivery/Vapor Recovery

## VR6035SQ Series Sequential Vapor Vents



### Bill of Materials

Item #	Description	Part #	Qty
1	stem assembly	<b>400636</b>	1
2	piston	use kit <b>VR6030RK2</b>	1
3	retaining ring	<b>111681</b>	1
4	cotter pin	<b>111680</b>	1
5	spring	<b>111679</b>	1
6	bearing seal washer	<b>111683</b>	1
7	lip seal	<b>111686</b>	2
8	lip seal	<b>111687</b>	1
9A	Baylast™ poppet gasket	<b>VR6035RK3</b>	1
9B	FKM poppet gasket	<b>VR6035RKV3</b>	1
10	poppet	<b>341641</b>	1
11	hex bolt	use kit <b>VR6035RK4</b>	8
12	body gasket	<b>111689</b>	1
13	lock washer	use kit <b>VR6035RK4</b>	8
14	stem bearing	<b>390822</b>	1
15	body	---	1

### VR6035 Repair Kits

Part #	Description	Includes Item #
<b>VR6035RK1</b>	replacement seal kit (with Baylast™ poppet seal)	2, 3, 4, 7, 8, 9A, 12
<b>VR6035RKV1</b>	replacement seal kit (with FKM poppet seal)	2, 3, 4, 7, 8, 9B, 12
<b>VR6035RK2</b>	replacement piston assembly	2, 7, 8
<b>VR6035RK3</b>	replacement Baylast™ poppet gasket	9A
<b>VR6035RKV3</b>	replacement FKM poppet gasket	9B
<b>VR6035RK4</b>	replacement (8) bolts & lock washers	11, 13

Petroleum Replacement Parts

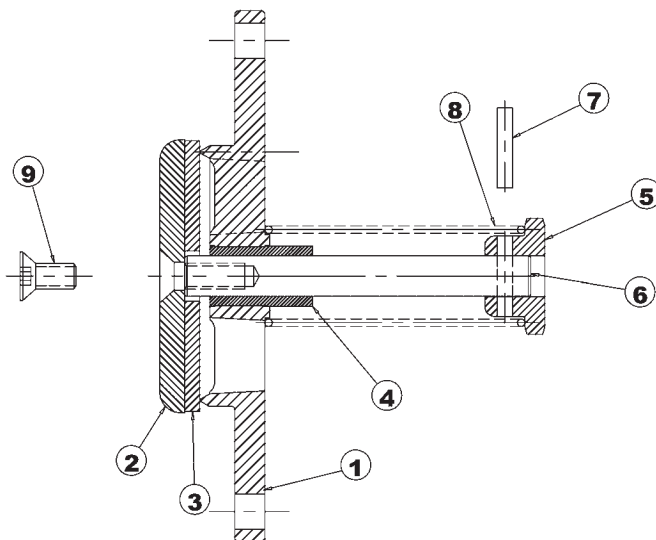
Product instruction sheets and technical data can be viewed on our website at [dixonvalve.com](http://dixonvalve.com)

# Fuel Delivery/Vapor Recovery

## VRP3500 and VRP3600 Series Outbreathing Vents

### Bill of Materials

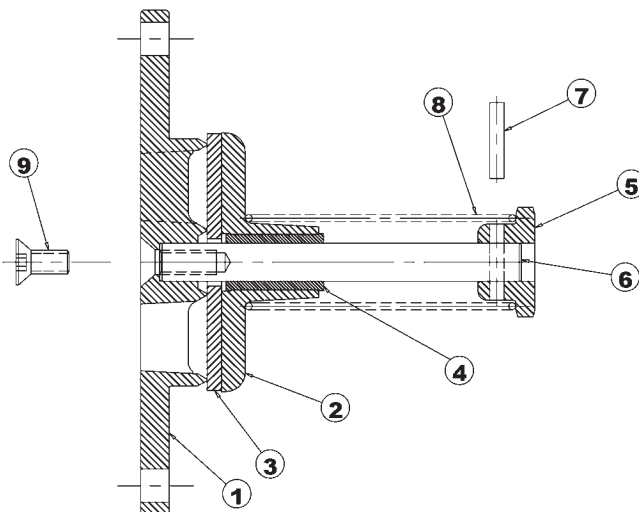
Item #	Description	Part #	Qty
1	body	---	1
2	gasket base	VRP3500-2	1
3	gasket	VRV3501-3	1
4	bushing	VRP3500-4	1
5	spring retainer	VRV3501-5	1
6A	shaft for VRP3500	VRP3501-6	1
6B	shaft for VRP3600	390552	1
7	shaft pin	110717	1
8	spring	SPRG-L4506	1
9	screw	SC5-16NCx.75FSS	1



## VRV3501 Series Inbreathing Vents

### Bill of Materials

Item #	Description	Part #	Qty
1	body	---	1
2	gasket base	VRV3501-2	1
3	gasket	VRV3501-3	1
4	bushing	VRV3501-4	1
5	spring retainer	VRV3501-5	1
6	shaft	VRV3501-6	1
7	pin	110717	1
8	spring	SPRG-L4506	1
9	screw	SC5-16NCx.75FSS	1



Petroleum Replacement Parts

Product instruction sheets and technical data can be viewed on our website at [dixonvalve.com](http://dixonvalve.com)



# Fuel Tanker

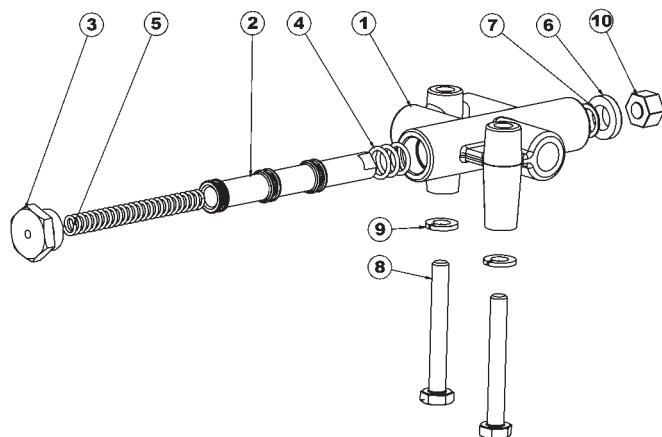
## TDF Series Tube Doors



### Repair Kits

Part #	Description
<b>TDF68RK</b>	6" and 8" repair kit, includes stainless steel spring, bushings and pin
<b>TDF7RK</b>	7" repair kit, includes stainless steel spring, bushings, pin and washer
<b>SPRG-A4630</b>	replacement stainless steel spring only

## 5000AIR Series Roller Ball End Air Interlock Valves



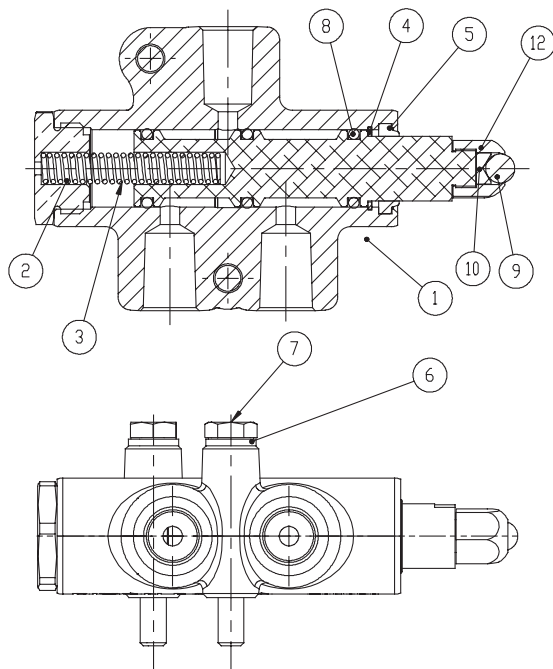
### Bill of Materials

Item #	Description	Part #	Qty
1	body	---	1
2	piston	use kit <b>5000AIRSK</b>	1
3	end plug	use kit <b>5000AIRSK</b>	1
4	Buna O-ring	use kit <b>5000AIRSK</b>	3
5	spring	use kit <b>5000AIRSK</b>	1
6	urethane wiper	use kit <b>5000AIRSK</b>	1
7	retaining ring	<b>RING-WH-50</b>	1
8	mounting bolts	use kit <b>5000AIHK</b>	2
9	lock washer	use kit <b>5000AIHK</b>	2
10	roller ball assembly	<b>5000AIRRK1</b>	1

### Repair Kits

Part #	Description	Includes Item #
<b>5000AIHK</b>	replacement mounting bolts and lock washers	8, 9
<b>5000AIRSK</b>	replacement piston and seal kit	2, 3, 4, 5, 6
<b>5000AIRRK1</b>	replacement roller ball	10

## 5000AIRHD Series Heavy Duty Roller Ball End Air Interlock Valves



### Bill of Materials

Item #	Description	Part #	Qty
1	body	---	1
2	end plug	<b>391848</b>	1
3	wiper	<b>112260</b>	1
4	retaining ring	<b>112261</b>	1
5	spring	<b>110897</b>	1
6	lock washer	<b>110928</b>	2
7	mounting bolts	<b>111196</b>	2
8	O-ring	<b>111SS3</b>	3
9	ball	<b>100202</b>	1
10	bearing	<b>390104</b>	1
11	piston	<b>391858</b>	1
12	roller head cap	<b>390105</b>	1

### Repair Kits

Part #	Description	Includes Item #
<b>5000AIHK</b>	replacement mounting bolts and lock washers	6, 7
<b>5000AIRHDSK</b>	replacement piston and seal kit	2, 3, 5, 8, 11
<b>5000AIRRK1</b>	replacement roller ball	9

Product instruction sheets and technical data can be viewed on our website at [dixonvalve.com](http://dixonvalve.com)

# Fuel Tanker

## 5000AI Series Button Plunger End Air Interlock Valves

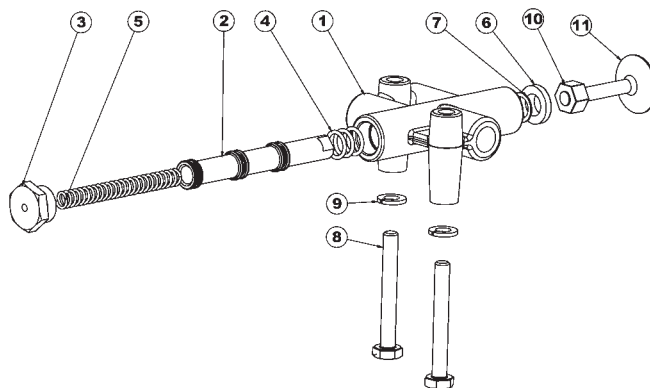
5000AI, 5000AIS and AIST

### Bill of Materials

Item #	Description	Part #	Qty
1	body	---	1
2	piston	use kit <b>5000AISK</b>	1
3A	end plug (5000AI, 5000AIST)	use kit <b>5000AISK</b>	1
3B	electronic switch kit (not illustrated, for 5000AIS)	<b>5000S</b>	1
4	Buna O-ring	use kit <b>5000AISK</b>	3
5	spring	use kit <b>5000AISK</b>	1
6	urethane wiper	use kit <b>5000AISK</b>	1
7	retaining ring	<b>RING-WH-50</b>	1
8	mounting bolt	use kit <b>5000AIHK</b>	2
9	lock washer	use kit <b>5000AIHK</b>	2
10	plunger nut	<b>NUT.25HX-SS</b>	1
11A	1" SS plunger button (5000AI)	use kit <b>5000AIRK1</b>	1
11B	1½" SS plunger button (5000AIST)	use kit <b>5000ST</b>	1

### Repair Kits

Part #	Description	Includes Item #
<b>5000AIHK</b>	mounting bolt, lock washer	8, 9
<b>5000AISK</b>	piston, end plug, spring, O-ring, rod wiper	2, 3A, 4, 5, 6
<b>5000AIRK1</b>	plunger end, nut	10, 11A
<b>5000ST</b>	replacement 1½" plunger button and nut	10, 11B
<b>5000S</b>	electronic switch attachment kit	3B
<b>5000AIRK2</b> <b>112024</b>	plunger button extension and sleeve kit Buna O-ring	-- 4



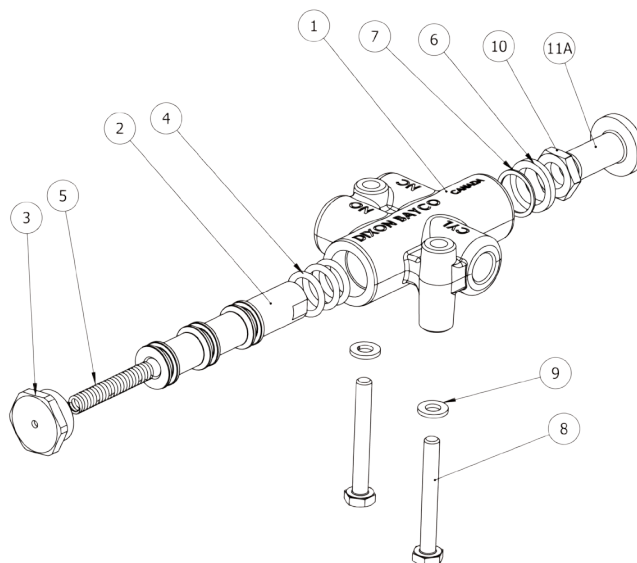
## 5000AIHD Series Heavy Duty Air Interlock Valve

### Bill of Materials

Item #	Description	Part #	Qty
1	body	---	1
2	piston	use kit <b>5000AIHDSK</b>	1
3	end plug	use kit <b>5000AIHDSK</b>	1
4	O-ring	use kit <b>5000AIHDSK</b>	3
5	spring	use kit <b>5000AIHDSK</b>	1
6	wiper	use kit <b>5000AIHDSK</b>	1
7	retaining ring	<b>112251</b>	1
8	mounting bolts	use kit <b>5000AIHK</b>	2
9	lock washer	use kit <b>5000AIHK</b>	2
10	nut	<b>390909</b>	1
11A	1" plunger end	use kit <b>5000AIHDRK1</b>	1
11B	1.5" plunger end	use kit <b>5000STHD</b>	1

### Repair Kits

Part #	Description	Includes Item #
<b>5000AIHK</b>	mounting bolts and lock washers	8, 9
<b>5000AIHDSK</b>	replacement piston and seal kit	2, 3, 4, 5, 6
<b>5000AIHDRK1</b>	replacement 1" plunger assembly	10, 11A
<b>5000STHD</b> <b>111553</b>	replacement 1.5" plunger assembly O-ring	10, 11B 4

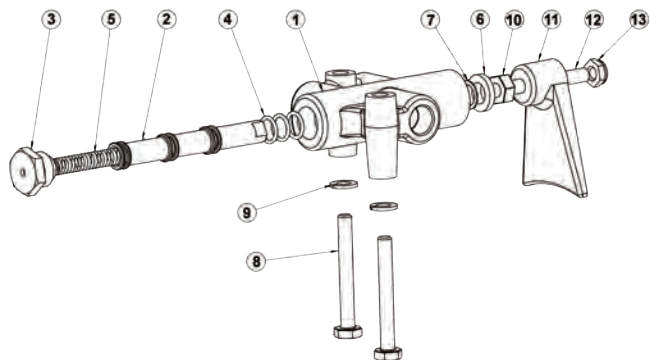


Petroleum Replacement Parts

Product instruction sheets and technical data can be viewed on our website at [dixonvalve.com](http://dixonvalve.com)

# Fuel Tanker

## 5000AIV Series Paddle End Air Interlock Valves



### Bill of Materials

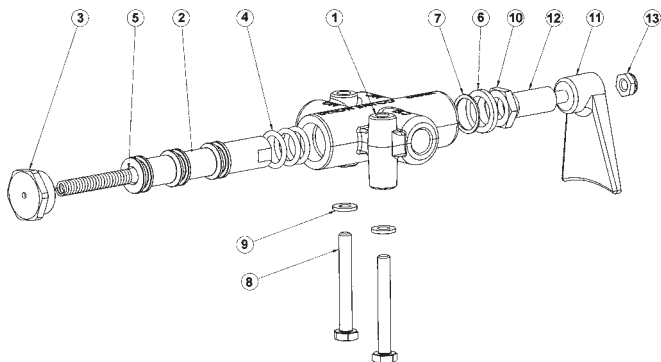
Item #	Description	Part #	Qty
1	body	---	1
2	piston	use kit <b>5000AISK</b>	1
3	end plug	use kit <b>5000AIHK</b>	1
4	Buna O-ring	use kit <b>5000AISK</b>	3
5	spring	use kit <b>5000AISK</b>	1
6	urethane wiper	use kit <b>5000AISK</b>	1
7	retaining ring	<b>RING-WH-50</b>	1
8	mounting bolt	use kit <b>5000AIHK</b>	2
9	lock washer	use kit <b>5000AIHK</b>	2
10	paddle nut	<b>NUT.25HX-SS</b>	1
11	paddle plunger	<b>5000AI-2</b>	1
12	paddle plunger stud	<b>5000AI-5</b>	1
13	paddle plunger lock nut	<b>112370</b>	1

### Repair Kits

Part #	Description	Includes Item #
<b>5000AIHK</b>	mounting bolt, lock washer	8, 9
<b>5000AISK</b>	piston, end plug, spring, O-ring, rod wiper	2, 3, 4, 5, 6

## 5000AIVHD Series Heavy Duty Paddle End Air Interlock Valves

Petroleum Replacement Parts



### Bill of Materials

Item #	Description	Part #	Qty
1	body	---	1
2	piston	use kit <b>5000AIHDSK</b>	1
3	end plug	use kit <b>5000AIHDSK</b>	1
4	O-ring	use kit <b>5000AIHDSK</b>	1
5	spring	use kit <b>5000AIHDSK</b>	1
6	wiper	use kit <b>5000AIHDSK</b>	1
7	retaining ring	<b>WH-77</b>	1
8	mounting bolts	use kit <b>5000AIHK</b>	2
9	lock washer	use kit <b>5000AIHK</b>	2
10	nut	<b>390909</b>	3
11	paddle end	<b>341142</b>	1
12	stud	<b>390910</b>	1
13	lock nut	<b>112370</b>	1

### Repair Kits

Part #	Description	Includes Item #
<b>5000AIHK</b>	mounting bolt, lock washer	8, 9
<b>5000AIHDSK</b>	replacement piston and seal kit	2, 3, 4, 5, 6

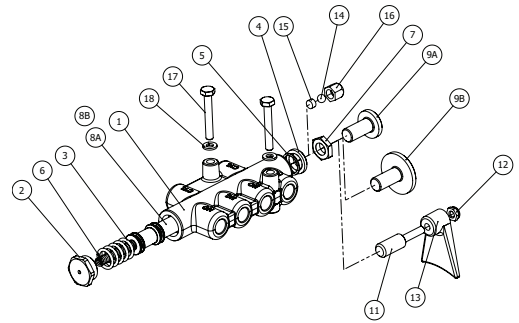
# Fuel Tanker

## 5006AIHD Series Heavy Duty Air Interlock Valve



### Bill of Materials

Item #	Description	5006AIHD	5006AISTHD	5006AIVHD	5006AIRHD
1	body	1	1	1	1
2	end plug	1	1	1	1
3	O-ring	5	5	5	5
4	wiper	1	1	1	1
5	retaining ring	1	1	1	1
6	spring	1	1	1	1
7	hex jam nut	1	1	1	1
8A	piston	1	1	1	-
8B	piston for air	-	-	-	1
9A	1" plunger end	1	-	-	-
10B	1½" plunger end	-	1	-	-
11	paddle plunger stud	-	-	1	-
12	nylon locknut	-	-	1	-
13	paddle plunger	-	-	1	-
14	ball	-	-	-	1
15	bearing	-	-	-	1
16	roller head cap	-	-	-	1
17	mounting bolt	2	2	2	2
18	lock washer	2	2	2	2

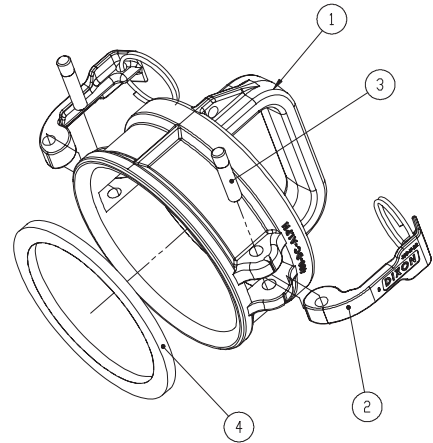


### Repair Kits

Part #	Description	Includes Item #
<b>5006AIHDSK</b>	piston and seal kit for 5006AIHD and 5006AIVHD	2, 3, 4, 6, 8A
<b>5006AIRHDSK</b>	piston and seal kit for 5006AIRHD	2, 3, 4, 6, 8B

## 400-DC-ALPH Dust Cap with Handle

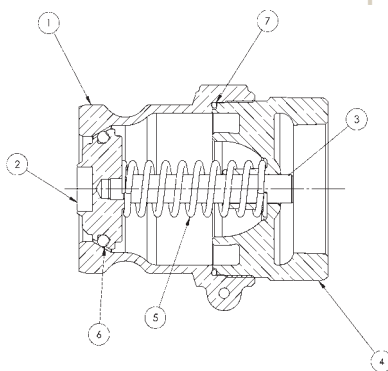
Item #	Description	Part #	Qty
1	dust cap with handle	<b>400-DC-ALPH</b>	1
2	cam arm with ring	<b>300-HR-BR</b>	2
3	pin	<b>325-P</b>	2
4	4" gasket	<b>400-G-BU</b>	1



# Dry Disconnects

## DBA Cam and Groove Dry Disconnects

### Aluminum and Stainless Adapters



#### 1½" aluminum adapter(DBA6x), zinc adapter (DBA1x)

##### Bill of Materials

#### DBA1x-150, DBA6x-150 & DBA1x-1520

Item #	Description	Part #	Qty
1A	aluminum adapter body (DBA6x-150)	<b>40129AL</b>	1
1B	zinc adapter body (DBA1x-150 & DBA1x-1520)	<b>40129ZA</b>	1
2	poppet	<b>40130AL</b>	1
3A	stem (DBA1x-150 & DBA1x-1520)	<b>40133BR</b>	1
3B	stem (for DBA6x-150)	<b>40133SS-001</b>	1
4A	thread end body	<b>40131AL</b>	1
4B	thread end body (for DBA1x1520)	<b>40303AL</b>	1
5	poppet spring	<b>40132SS</b>	1
6A	poppet O-ring Buna	use kit <b>DBAK1-150</b>	1
6B	poppet O-ring FKM	use kit <b>DBAK2-150</b>	1
6C	poppet O-ring PTFE/Silicone	use kit <b>DBAK3-150</b>	1
6D	poppet O-ring EPDM	use kit <b>DBAK4-150</b>	1
6E	poppet O-ring Kalrez™	use kit <b>DBAK6-150</b>	1
6F	poppet O-ring PTFE/FKM	use kit <b>DBAK7-150</b>	1
7A	body O-ring Teflon™	use kit <b>DBAK1-150</b>	1
7B	body O-ring FKM	use kit <b>DBAK2-150</b>	1
7C	body O-ring PTFE	use kit <b>DBAK3-150, DBAK6-150 or DBAK7-150</b>	1
7D	body O-ring EPDM	use kit <b>DBAK4-150</b>	1

#### 1½" stainless adapter,

##### Bill of Materials DBA7x-150

Item #	Description	Part #	Qty
1	stainless adapter body	<b>40129SS</b>	1
2	poppet	<b>40130SS</b>	1
3	stem	<b>40133SS-002</b>	1
4	thread end body	<b>40131SS</b>	1
5	poppet spring	<b>40132SS</b>	1
6A	poppet O-ring Buna	use kit <b>DBAK1-150</b>	1
6B	poppet O-ring FKM	use kit <b>DBAK2-150</b>	1
6C	poppet O-ring PTFE/Silicone	use kit <b>DBAK3-150</b>	1
6D	poppet O-ring EPDM	use kit <b>DBAK4-150</b>	1
6E	poppet O-ring Kalrez™	use kit <b>DBAK6-150</b>	1
6F	poppet O-ring PTFE/FKM	use kit <b>DBAK7-150</b>	1
7A	body O-ring Teflon™	use kit <b>DBAK1-150</b>	1
7B	body O-ring FKM	use kit <b>DBAK2-150</b>	1
7C	body O-ring PTFE	use kit <b>DBAK3-150, DBAK6-150 or DBAK7-150</b>	1
7D	body O-ring EPDM	use kit <b>DBAK4-150</b>	1

#### 2" aluminum adapter(DBA6x), zinc adapter (DBA1x)

##### Bill of Materials

#### DBA1x-200, DBA6x-200

Item #	Description	Part #	Qty
1A	aluminum adapter body (DBA6x-200)	<b>40001AL</b>	1
1B	zinc adapter body (DBA1x-200)	<b>40001ZA</b>	1
2	poppet	<b>40002AL</b>	1
3A	stem (for DBA1x-200)	<b>40005BR</b>	1
3B	stem (for DBA6x-200)	<b>40005SS-001</b>	1
4	thread end body	<b>40003AL</b>	1
5	poppet spring	<b>40004SS</b>	1
6A	poppet O-ring Buna	use kit <b>DBAK1-200</b>	1
6B	poppet O-ring FKM	use kit <b>DBAK2-200</b>	1
6C	poppet O-ring PTFE/Silicone	use kit <b>DBAK3-200</b>	1
6D	poppet O-ring EPDM	use kit <b>DBAK4-200</b>	1
6E	poppet O-ring Kalrez™	use kit <b>DBAK6-200</b>	1
6F	poppet O-ring PTFE/FKM	use kit <b>DBAK7-200</b>	1
7A	body O-ring Teflon™	use kit <b>DBAK1-200</b>	1
7B	body O-ring FKM	use kit <b>DBAK2-200</b>	1
7C	body O-ring PTFE	use kit <b>DBAK3-200, DBAK6-200 or DBAK7-200</b>	1
7D	body O-ring EPDM	use kit <b>DBAK4-200</b>	1

#### 2" stainless adapter,

##### Bill of Materials DBA7x-200

Item #	Description	Part #	Qty
1	stainless adapter body	<b>40001SS</b>	1
2	poppet	<b>40002SS</b>	1
3	stem	<b>40005SS-002</b>	1
4	thread end body	<b>40003SS</b>	1
5	poppet spring	<b>40004SS</b>	1
6A	poppet O-ring Buna	use kit <b>DBAK1-200</b>	1
6B	poppet O-ring FKM	use kit <b>DBAK2-200</b>	1
6C	poppet O-ring PTFE/Silicone	use kit <b>DBAK3-200</b>	1
6D	poppet O-ring EPDM	use kit <b>DBAK4-200</b>	1
6E	poppet O-ring Kalrez™	use kit <b>DBAK6-200</b>	1
6F	poppet O-ring PTFE/FKM	use kit <b>DBAK7-200</b>	1
7A	body O-ring Teflon™	use kit <b>DBAK1-200</b>	1
7B	body O-ring FKM	use kit <b>DBAK2-200</b>	1
7C	body O-ring PTFE	use kit <b>DBAK3-200, DBAK6-200 or DBAK7-200</b>	1
7D	body O-ring EPDM	use kit <b>DBAK4-200</b>	1

Product instruction sheets and technical data can be viewed on our website at [dixonvalve.com](http://dixonvalve.com)

Petroleum Replacement Parts



# Dry Disconnects

## DBA Cam and Groove Dry Disconnects

### Aluminum and Stainless Adapters

#### 3" aluminum adapter(DBA6x), zinc adapter(DBA1x)

##### Bill of Materials

##### DBA1x-300, DBA6x-300

Item #	Description	Part #	Qty
1	aluminum adapter body	<b>40180AL</b>	1
1B	zinc adapter body	<b>40180ZA</b>	1
2	poppet	<b>40182AL</b>	1
3	stem	<b>40183BR</b>	1
4	thread end body	<b>40181AL</b>	1
5	poppet spring	<b>40184SS</b>	1
6A	poppet O-ring Buna	use kit <b>DBAK1-300</b>	1
6B	poppet O-ring FKM	use kit <b>DBAK2-300</b>	1
6C	poppet O-ring PTFE/Silicone	use kit <b>DBAK3-300</b>	1
6D	poppet O-ring EPDM	use kit <b>DBAK4-300</b>	1
6E	poppet O-ring Kalrez™	use kit <b>DBAK6-300</b>	1
6F	poppet O-ring PTFE/FKM	use kit <b>DBAK7-300</b>	1
6G	poppet O-ring FKM "B"	use kit <b>DBAK9-300</b>	1
7A	body O-ring Teflon™	use kit <b>DBAK1-300</b>	1
7B	body O-ring FKM	use kit <b>DBAK2-300</b>	1
7C	body O-ring PTFE	use kit <b>DBAK3-300, DBAK6-300 or DBAK7-300</b>	1
7D	body O-ring EPDM	use kit <b>DBAK4-300</b>	1
7E	body O-ring FKM-B	use kit <b>DBAK9-300</b>	1

#### 3" stainless adapter

##### Bill of Materials

##### DBA7x-300

Item #	Description	Part #	Qty
1	stainless adapter body	<b>40180SS</b>	1
2	poppet	<b>40182SS</b>	1
3	stem	<b>40183SS</b>	1
4	thread end body	<b>40181SS</b>	1
5	poppet spring	<b>40184SS</b>	1
6A	poppet O-ring Buna	use kit <b>DBAK1-300</b>	1
6B	poppet O-ring FKM	use kit <b>DBAK2-300</b>	1
6C	poppet O-ring PTFE/Silicone®	use kit <b>DBAK3-300</b>	1
6D	poppet O-ring EPDM	use kit <b>DBAK4-300</b>	1
6E	poppet O-ring Kalrez™	use kit <b>DBAK6-300</b>	1
6F	poppet O-ring PTFE/FKM	use kit <b>DBAK7-300</b>	1
6G	Poppet O-ring FKM-B	use kit <b>DBAK9-300</b>	1
7A	body O-ring Teflon™	use kit <b>DBAK1-300</b>	1
7B	body O-ring FKM	use kit <b>DBAK2-300</b>	1
7C	body O-ring PTFE	use kit <b>DBAK3-300</b>	1
7D	body O-ring EPDM	use kit <b>DBAK4-300</b>	1
7E	body O-ring FKM-B	use kit <b>DBAK9-300</b>	1

#### Repair Kits

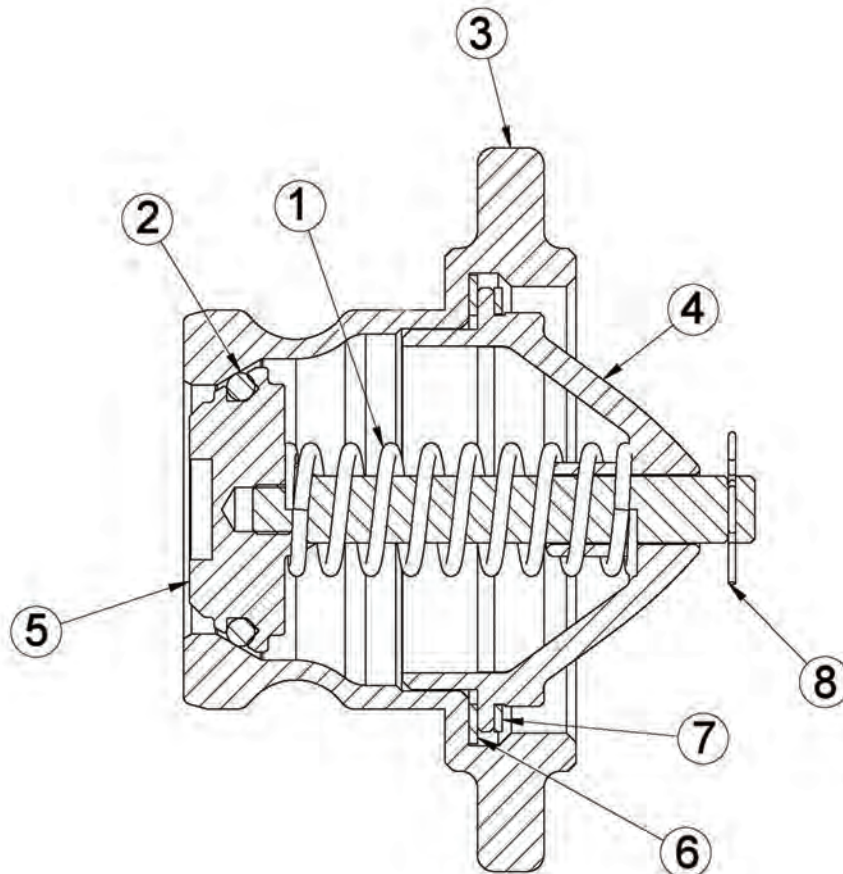
Part #	Description	Includes Item #
<b>DBAK1-150</b>	1½" replacement Buna seals	6A, 7A
<b>DBAK2-150</b>	1½" replacement FKM seals	6B, 7B
<b>DBAK3-150</b>	1½" replacement PTFE/Silicone seals	6C, 7C
<b>DBAK4-150</b>	1½" replacement EPDM seals	6D, 7D
<b>DBAK6-150</b>	1½" replacement PTFE/Kalrez™ seals	6E, 7C
<b>DBAK7-150</b>	1½" replacement PTFE/FKM seals	6F, 7C
<b>DBAK1-200</b>	2" replacement Buna seals	6A, 7A
<b>DBAK2-200</b>	2" replacement FKM seals	6B, 7B
<b>DBAK3-200</b>	2" replacement PTFE/Silicone seals	6C, 7C
<b>DBAK4-200</b>	2" replacement EPDM seals	6D, 7D
<b>DBAK6-200</b>	2" replacement PTFE/Kalrez™ seals	6E, 7C
<b>DBAK7-200</b>	2" replacement PTFE/FKM seals	6F, 7C
<b>DBAK1-300</b>	3" replacement Teflon™ seals	6A, 7A
<b>DBAK2-300</b>	3" replacement FKM seals	6B, 7B
<b>DBAK3-300</b>	3" replacement PTFE/Silicone seals	6C, 7C
<b>DBAK4-300</b>	3" replacement EPDM seals	6D, 7D
<b>DBAK6-300</b>	3" replacement PTFE/Kalrez™ seals	6E, 7C
<b>DBAK7-300</b>	3" replacement PTFE/FKM seals	6F, 7C
<b>DBAK9-300</b>	3" replacement FKM-B seals	6G, 7E

Product instruction sheets and technical data can be viewed on our website at [dixonvalve.com](http://dixonvalve.com)

# Dry Disconnects

## DBVA Cam and Groove Dry Disconnects

### Stainless Vapor Adapter



#### 2" x 3" stainless vapor adapter Bill of Materials DBVA73-200

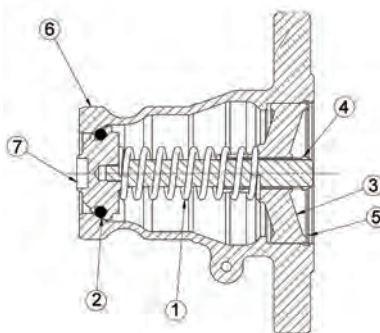
Item #	Description	Part #	Qty
1	spring	<b>40004SS</b>	1
2	poppet O-ring PTFE/Silicone	<b>40006TS</b>	1
3	adapter body	--	1
4	bridge	<b>40175SS</b>	1
5	poppet assembly	<b>40187SSSS</b>	1
6	large body gasket	<b>40190TF</b>	1
7	small body gasket	<b>40191TF</b>	1
8	poppet clip	<b>40192SS</b>	1

Product instruction sheets and technical data can be viewed on our website at [dixonvalve.com](http://dixonvalve.com)

# Dry Disconnects

## DBAF Cam and Groove Dry Disconnects

### Stainless Flange Adapter



#### 2" flange x 1½" stainless adapter

##### Bill of Materials DBAF7x-1520

Item #	Description	Part #	Qty
1	spring	<b>40004SS</b>	1
2A	poppet O-ring Buna	<b>40134BN</b>	1
2B	poppet O-ring FKM	<b>40134VI</b>	1
2C	poppet O-ring PTFE/Silicone®	<b>40134TS</b>	1
2D	poppet O-ring EPDM	<b>40134EP</b>	1
2E	poppet O-ring Kalrez®	<b>40134KR</b>	1
3	bridge	<b>40341SS</b>	1
4	bearing	<b>40343TF</b>	1
5	retaining ring	<b>40344SS</b>	1
6	body	---	1
7	poppet assembly	<b>40347SSSS</b>	1

#### 2" flange x 2" stainless adapter

##### Bill of Materials DBAF7x-200

Item #	Description	Part #	Qty
1	spring	<b>40004SS</b>	1
2A	poppet O-ring Buna	<b>40006BN</b>	1
2B	poppet O-ring FKM	<b>40006VI</b>	1
2C	poppet O-ring PTFE/Silicone®	<b>40006TS</b>	1
2D	poppet O-ring EPDM	<b>40006EP</b>	1
2E	poppet O-ring Kalrez®	<b>40006KR</b>	1
3	bridge	<b>40341SS</b>	1
4	bearing	<b>40343TF</b>	1
5	retaining ring	<b>40344SS</b>	1
6	body	---	1
7	poppet assembly	<b>40342SSSS</b>	1

#### 3" flange x 3" stainless adapter

##### Bill of Materials DBAF7x-300

Item #	Description	Part #	Qty
1	spring	<b>40184SS</b>	1
2A	poppet O-ring Buna	<b>40185BN</b>	1
2B	poppet O-ring FKM	<b>40185VI</b>	1
2C	poppet O-ring PTFE/Silicone®	<b>40185TS</b>	1
2D	poppet O-ring EPDM	<b>40185EP</b>	1
2E	poppet O-ring Kalrez®	<b>40185KR</b>	1
3	bridge	<b>40360SS</b>	1
4	bearing	<b>40362TF</b>	1
5	retaining ring	<b>40361SS</b>	1
6	body	---	1
7	poppet assembly	<b>40359SSSS</b>	1

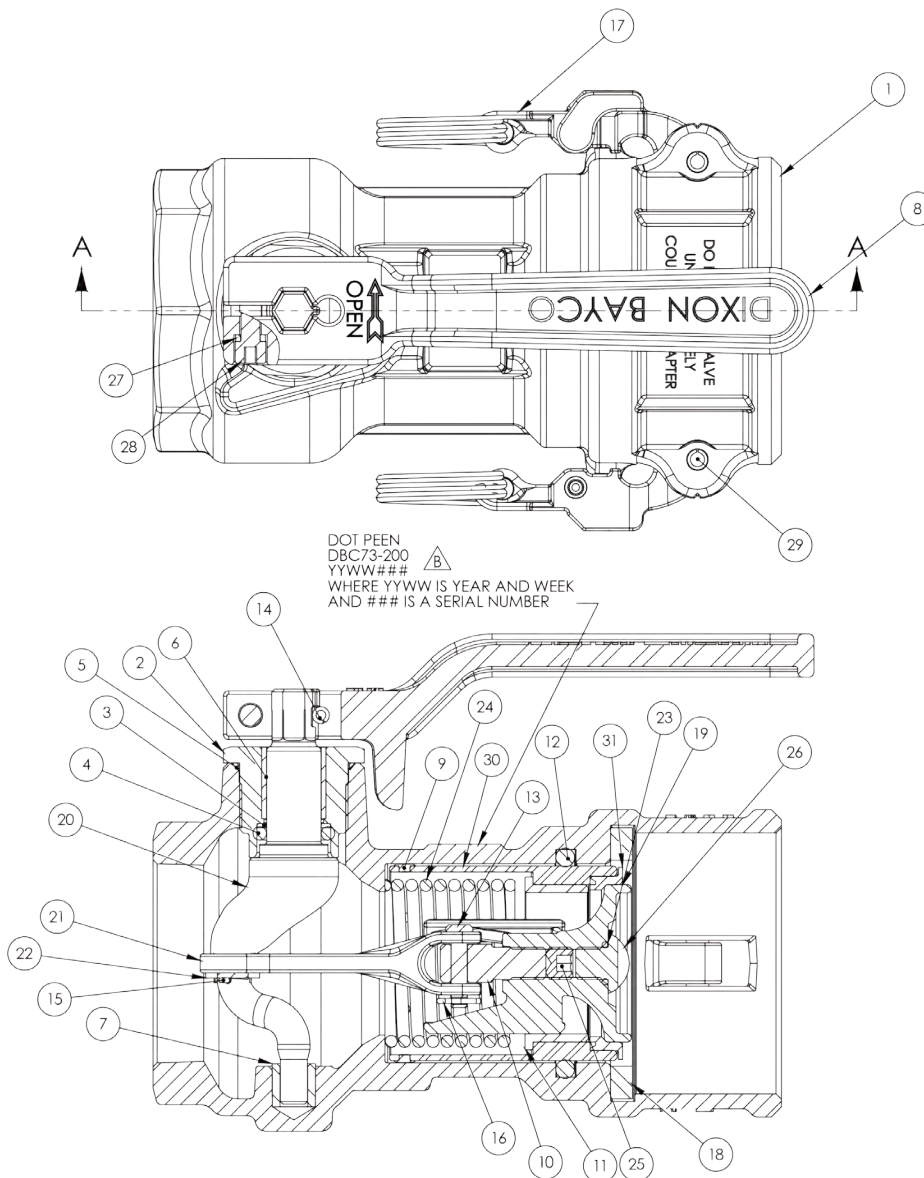
Petroleum  
Replacement Parts

Product instruction sheets and technical data can be viewed on our website at [dixonvalve.com](http://dixonvalve.com)

# Dry Disconnects

## DBC Cam and Groove Dry Disconnects

Aluminum and Stainless Couplers



Bill of materials and repair kits can be found on the following pages:

- DBC6x-150 see page 104
- DBC7x-150 see page 105
- DBC6x-200 see page 106
- DBC7x-200 see page 107
- DBC6x-300 see page 109
- DBC7x-300 see page 110
- DBS6x-200 see page 112

Product instruction sheets and technical data can be viewed on our website at [dixonvalve.com](http://dixonvalve.com)

# Dry Disconnects

## DBC Cam and Groove Dry Disconnects

### 1½" Aluminum Couplers

#### 1½" aluminum coupler

#### Bill of Materials

#### DBC6x-150

Item #	Description	Part #	Qty
1	body	---	1
2	stuffing box	40074SS	1
3	back up ring	40075TF	1
4A	crank shaft O-ring Buna (for DBC61-150)	40076BN	1
4B	crank shaft O-ring FKM (for DBC62-150)	40076VI	1
4C	crank shaft O-ring Kalrez® (for DBC63-150)	40076KR	1
4D	crank shaft O-ring EPDM (for DBC63-150, DBC66-150 & DBC67-150)	40076EP	1
5	stuffing box PTFE O-ring	40077TF	1
6	large crank shaft bearing	40078FG	1
7	small crank shaft bearing	40079SS	1
8	lever (handle)	40080SS	1
9A	seal cylinder (for DBC61-150)	40117ALBN	1
9B	seal cylinder (for DBC62-150)	40117ALVI	1
9C	seal cylinder (for DBC63-150, DBC66-150 & DBC67-150)	40169SS	1
9D	seal cylinder (for DBC64-150)	40117ALEP	1
10	PTFE button	40082TF	6
11	yoke	40118SS	1
12	PTFE bushing	40119TF	1
13A	body O-ring Buna (for DBC61-150)	40120BN	1
13B	body O-ring FKM (for DBC62-150)	40120VI	1
13C	body O-ring PTFE/Silicone®- (for DBC63-150)	40120TS	1
13D	body O-ring EPDM (for DBC64-150)	40120EP	1
13E	body O-ring Kalrez® (for DBC66-150)	40120KR	1
13F	body O-ring PTFE/FKM (for DBC67-150)	40120TV	1
14	link rivet	40086SS	1
15	groove pin	40087SS	1
16	crank shaft cotter pin	40088SS	1
17	link cotter pin	40088SS	1
18	EZ Boss-Lock™ cam arm	40089SS	2
19A	cam gasket Buna (for DBC61-150)	200-G-BU	1
19B	cam gasket FKM (for DBC62-150)	200-G-VI	1
19C	cam gasket PTFE/Silicone® (for DBC63-150)	200-G-TES	1
19D	cam gasket EPDM (for DBC64-150)	200-G-EPR	1
19E	cam gasket PTFE/FKM (for DBC66-150 & DBC67-150)	200-G-TFVI	1
20	poppet	40114SS	1
21	crank shaft	40115SS	1
22	link arm	40116SS	1
23	link washer	40094SS	1
24	poppet screw PTFE O-ring	40122TF	1
25	cylinder spring	DBCxx-150RK8	1
26	set screw	40124SS	1
27	poppet screw (round head)	40125SS	1
28	lock washer	40099SS	1
29	socket head cap screw	40100SS	1
30	cam arm spring pin	40101SS	2
31	nose seal (for DBC63-150, DBC66-150 & DBC67-150)	40171TF	1

#### Repair Kits

Part #	Description	Includes Item #
<b>DBCx1-150RK1</b> (Buna-N)	replacement seal kit, Buna crank shaft O-ring, PTFE stuffing box O-ring, Buna body O-ring, Buna cam gasket, PTFE O-ring (for DBC61-150)	4A, 5, 13A, 19A, 24
<b>DBCx2-150RK1</b> (FKM)	replacement seal kit, FKM crank shaft O-ring, PTFE stuffing box O-ring, FKM body O-ring, FKM cam gasket, PTFE O-ring (for DBC62-150)	4B, 5, 13B, 19B, 24
<b>DBCx3-150RK1</b> (PTFE and Kalrez®)	replacement seal kit, Kalrez® crank shaft O-ring, PTFE stuffing box O-ring, PTFE/Silicone® body O-ring, PTFE/Silicone® cam gasket, PTFE O-ring (for DBC63-150)	4C, 5, 13C, 19C, 24
<b>DBCx4-150RK1</b> (EPDM)	replacement seal kit, EPDM crank shaft O-ring, PTFE stuffing box O-ring, EPDM body O-ring, EPR cam gasket, PTFE O-ring (for DBC64-150)	4D, 5, 13D, 19D, 24
<b>DBCx6-150RK1</b> (Kalrez® & PTFE/FKM)	replacement seal kit, Kalrez® crank shaft O-ring, PTFE stuffing box O-ring, Kalrez® body O-ring, PTFE/FKM cam gasket, PTFE O-ring (for DBC66-150)	4C, 5, 13E, 19E, 24
<b>DBCx7-150RK1</b>	replacement seal kit, Kalrez® crank shaft O-ring, PTFE stuffing box O-ring, PTFE/FKM body O-ring, PTFE/FKM cam gasket, PTFE O-ring (for DBC67-150)	4C, 5, 13F, 19E, 24
<b>DBC61-150RK2</b>	replacement Buna seal cylinder, PTFE buttons and PTFE bushing (for DBC61-150)	9A, 10, 12
<b>DBC62-150RK2</b>	replacement FKM seal cylinder, PTFE buttons and PTFE bushing (for DBC62-150)	9B, 10, 12
<b>DBCx3-150RK2</b>	replacement PTFE nose seal, PTFE buttons and PTFE bushing (for DBC63-150, DBC66-150 & DBC67-150)	10, 12, 31
<b>DBC64-150RK2</b>	replacement EPDM seal cylinder, PTFE buttons and PTFE bushing (for DBC64-150)	9D, 10, 12
<b>DBCxx-150RK4</b>	replacement link kit, link rivet, cotter pins, link washer, link arm and yoke (for all 1½" aluminum)	11, 14, 16, 17, 22, 23
<b>DBCxx-150RK5</b>	replacement stuffing box kit, stuffing box, PTFE O-ring and large crank shaft bearing (for all 1½" aluminum)	2, 5, 6
<b>DBCxx-150RK6</b>	replacement lever (handle) kit, lever, groove pin, lock washer and socket head cap screw (for all 1½" aluminum)	8, 15, 28, 29
<b>DBCxx-150RK7</b>	replacement crank shaft kit, crank shaft, cotter pin and washer (for all 1½" aluminum)	16, 21, 23
<b>DBCxx-150RK8</b>	main cylinder spring	25
<b>DBCxx-150RK9</b>	replacement poppet kit, poppet, round head screw, set screw and PTFE washer (for all 1½"aluminum)	20, 24, 26, 27
<b>DBCL-200</b>	optional add on padlockable lever kit, handle (for all 1½")	not illustrated

Petroleum Replacement Parts

Product instruction sheets and technical data can be viewed on our website at [dixonvalve.com](http://dixonvalve.com)



# Dry Disconnects

## DBC Cam and Groove Dry Disconnects

### 1½" Stainless Couplers

#### 1½" stainless coupler

#### Bill of Materials

#### DBC7x-150

Item #	Description	Part #	Qty
1	body	---	1
2	stuffing box	40074SS	1
3	back up ring	40075TF	1
4A	crank shaft O-ring Buna (for DBC71-150)	40076BN	1
4B	crank shaft O-ring FKM (for DBC72-150)	40076VI	1
4C	crank shaft O-ring Kalrez® (for DBC73-150, DBC76-150 and DBC77-150)	40076KR	1
4D	crank shaft O-ring EPDM (for DBC74-150)	40076EP	1
5	stuffing box PTFE O-ring	40077TF	1
6	large crank shaft bearing	40078FG	1
7	small crank shaft bearing	40079SS	1
8	lever (handle)	40080SS	1
9A	seal cylinder (for DBC71-150)	40117SSBN	1
9B	seal cylinder (for DBC72-150)	40117SSVI	1
9C	seal cylinder (for DBC73-150, DBC76-150 and DBC77-150)	40169SS	1
9D	seal cylinder (for DBC74-150)	40117SSEP	1
10	PTFE button	40082TF	6
11	yoke	40118SS	1
12	PTFE bushing	40119TF	1
13A	body O-ring Buna (for DBC71-150)	40120BN	1
13B	body O-ring FKM (for DBC72-150)	40120VI	1
13C	body O-ring PTFE/Silicone® (for DBC73-150)	40120TS	1
13D	body O-ring EPDM (for DBC74-150)	40120EP	1
13E	body O-ring Kalrez® (for DBC76-150)	40120KR	1
13F	body O-ring PTFE/FKM (for DBC77-150)	40120TV	1
14	link rivet	40086SS	1
15	groove pin	40087SS	1
16	crank shaft cotter pin	40088SS	1
17	link cotter pin	40088SS	1
18	EZ Boss-Lock™ cam arm	40089SS	2
19A	cam gasket Buna (for DBC71-150)	200-G-BU	1
19B	cam gasket FKM (for DBC72-150)	200-G-VI	1
19C	cam gasket PTFE/Silicone® (for DBC73-150)	200-G-TES	1
19D	cam gasket EPDM (for DBC74-150)	200-G-EPR	1
19E	cam gasket PTFE/FKM (for DBC76-150 and DBC77-150)	200-G-TFVI	1
20	poppet	40114SS	1
21	crank shaft	40115SS	1
22	link arm	40116SS	1
23	link washer	40094SS	1
24	poppet screw PTFE O-ring	40122TF	1
25	cylinder spring	DBCxx-150RK8	1
26	set screw	40124SS	1
27	poppet screw (round head)	40125SS	1
28	lock washer	40099SS	1
29	socket head cap screw	40100SS	1
30	cam arm spring pin	40101SS	2
31	nose seal (for DBC73-150, DBC76-150 and DBC77-150)	40171TF	1

#### Repair Kits

Part #	Description	Includes Item #
<b>DBCx1-150RK1</b> (Buna-N)	replacement seal kit, Buna crank shaft O-ring, PTFE stuffing box O-ring, Bunabody O-ring, Buna cam gasket, PTFE O-ring (for DBC71-150)	4A, 5, 13A, 19A, 24
<b>DBCx2-150RK1</b> (FKM)	replacement seal kit, FKM crank shaft O-ring, PTFE stuffing box O-ring, FKM body O-ring, FKM cam gasket, PTFE O-ring (for DBC72-150)	4B, 5, 13B, 19B, 24
<b>DBCx3-150RK1</b> (PTFE/Silicone & Chemrez®)	replacement seal kit, Kalrez® crank shaft O-ring, PTFE stuffing box O-ring, PTFE/Silicone body O-ring, PTFE/Silicone cam gasket, PTFE O-ring (for DBC73-150)	4C, 5, 13C, 19C, 24
<b>DBCx4-150RK1</b> (EPDM)	replacement seal kit, EPDM crank shaft O-ring, PTFE stuffing box O-ring, EPDM body O-ring, EPR cam gasket, PTFE O-ring (for DBC74-150)	4D, 5, 13D, 19D, 24
<b>DBCx6-150RK1</b> (Kalrez® & PTFE/FKM)	replacement seal kit, Kalrez® crank shaft O-ring, PTFE stuffing box O-ring, Kalrez® body O-ring, PTFE/FKM cam gasket, PTFE O-ring (for DBC76-150)	4C, 5, 13E, 19E, 24
<b>DBCx7-150RK1</b>	replacement seal kit, Kalrez® crank shaft O-ring, PTFE stuffing box O-ring, PTFE/FKM body O-ring, PTFE/FKM cam gasket, PTFE O-ring (for DBC77-150)	4C, 5, 13F, 19E, 24
<b>DBC71-150RK2</b>	replacement Buna seal cylinder, PTFE buttons & PTFE bushing (for DBC71-150)	9A, 10, 12
<b>DBC72-150RK2</b>	replacement FKM seal cylinder, PTFE buttons and PTFE bushing (for DBC72-150)	9B, 10, 12
<b>DBCx3-150RK2</b>	replacement PTFE nose seal, PTFE buttons & PTFE bushing (for DBC73-150, DBC76-150 & DBC77-150)	10, 12, 31
<b>DBC74-150RK2</b>	replacement EPDM seal cylinder, PTFE buttons & PTFE bushing (for DBC74-150)	9D, 10, 12
<b>DBCxx-150RK4</b>	replacement link kit, link rivet, cotter pins, link washer, link arm & yoke (for all 1½" stainless steel)	11, 14, 16, 17, 22, 23
<b>DBCxx-150RK5</b>	replacement stuffing box kit, stuffing box, PTFE O-ring & large crank shaft bearing (for all 1½" stainless steel)	2, 5, 6
<b>DBCxx-150RK6</b>	replacement lever (handle) kit, lever, groove pin, lock washer & socket head cap screw (for all 1½" stainless steel)	8, 15, 28, 29
<b>DBCxx-150RK7</b>	replacement crank shaft kit, crank shaft, cotter pin & washer (for all 1½" stainless steel)	16, 21, 23
<b>DBCxx-150RK8</b>	main cylinder spring	25
<b>DBCxx-150RK9</b>	replacement poppet kit, poppet, round head screw, set screw & PTFE O-ring (for all 1½" stainless steel)	20, 24, 26, 27
<b>DBCL-200</b>	Optional add on padlockable lever kit (handle) (for all 1½")	not illustrated

Petroleum Replacement Parts

Product instruction sheets and technical data can be viewed on our website at [dixonvalve.com](http://dixonvalve.com)

# Dry Disconnects

## DBC Cam and Groove Dry Disconnects

### 2" Aluminum Couplers

#### 2" aluminum coupler

#### Bill of Materials

#### DBC6x-200

Item #	Description	Part #	Qty
1	body	---	1
2	stuffing box	40074SS	1
3	back up ring	40075TF	1
4A	crank shaft O-ring Buna (for DBC61-200)	40076BN	1
4B	crank shaft O-ring FKM (for DBC62-200)	40076VI	1
4C	crank shaft O-ring Kalrez® (for DBC63-200, DBC66-200 & DBC67-200)	40076KR	1
4D	crank shaft O-ring EPDM (for DBC64-200)	40076EP	1
5	stuffing box PTFE O-ring	40077TF	1
6	large crank shaft bearing	40078FG	1
7	small crank shaft bearing	40079SS	1
8	lever (handle)	40080SS	1
9A	seal cylinder (for DBC61-200)	40081ALBN	1
9B	seal cylinder (for DBC62-200)	40081ALVI	1
9C	seal cylinder (for DBC63-200, DBC66-200 & DBC67-200)	40168SS	1
9D	seal cylinder (for DBC64-200)	40081ALEP	1
10	PTFE button	40082TF	6
11	yoke	40083SS	1
12	PTFE bushing	40084TF	1
13A	body O-ring Buna (for DBC61-200)	40085BN	1
13B	body O-ring FKM (for DBC62-200)	40085VI	1
13C	body O-ring PTFE/Silicone (for DBC63-200)	40085TS	1
13D	body O-ring EPDM (for DBC64-200)	40085EP	1
13E	body O-ring Kalrez® (for DBC66-200)	40085KR	1
13F	body O-ring PTFE/FKM (for DBC67-200)	40085TV	1
14	link rivet	40086SS	1
15	groove pin	40087SS	1
16	crank shaft cotter pin	40088SS	1
17	link cotter pin	40088SS	1
18	EZ Boss-Lock™ cam arm	40089SS	2
19A	cam gasket Buna (for DBC61-200)	250-G-BU	1
19B	cam gasket FKM (for DBC62-200)	250-G-VI	1
19C	cam gasket PTFE/Silicone (for DBC63-200)	250-G-TES	1
19D	cam gasket EPDM (for DBC64-200)	250-G-EPR	1
19E	cam gasket PTFE/FKM (for DBC66-200 & DBC67-200)	250-G-TFVI	1
20	poppet	40091SS	1
21	crank shaft	40092SS	1
22	link arm	40093SS	1
23	link washer	40094SS	1
24	poppet screw PTFE O-ring	40095TF	1
25	cylinder spring	DBCxx-200RK8	1
26	set screw	40097SS	1
27	poppet screw (round head)	40098SS	1
28	lock washer	40099SS	1
29	socket head cap screw	40100SS	1
30	cam arm spring pin	40101SS	2
31	nose seal (for DBC63-200, DBC66-200 & DBC67-200)	40170TF	1

#### Repair Kits

Part #	Description	Includes Item #
<b>DBCx1-200RK1</b> (Buna-N)	replacement seal kit, Buna crank shaft O-ring, PTFE stuffing box O-ring, Buna body O-ring, Buna cam gasket, PTFE O-ring (for DBC61-200)	4A, 5, 13A, 19A, 24
<b>DBCx2-200RK1</b> (FKM)	replacement seal kit, FKM crank shaft O-ring, PTFE stuffing box O-ring, FKM body O-ring, FKM cam gasket, PTFE O-ring (for DBC62-200)	4B, 5, 13B, 19B, 24
<b>DBCx3-200RK1</b> (PTFE/Silicone and Kalrez®)	replacement seal kit, Kalrez® crank shaft O-ring, PTFE stuffing box O-ring, PTFE/Silicone body O-ring, PTFE/Silicone cam gasket, PTFE O-ring (for DBC63-200)	4C, 5, 13C, 19C, 24
<b>DBCx4-200RK1</b> (EPDM)	replacement seal kit, EPDM crank shaft O-ring, PTFE stuffing box O-ring, EPDM body O-ring, EPDM cam gasket, PTFE O-ring (for DBC64-200)	4D, 5, 13D, 19D, 24
<b>DBCx6-200RK1</b> (Kalrez® & PTFE/FKM)	replacement seal kit, Kalrez® crank shaft O-ring, PTFE stuffing box O-ring, Kalrez® body O-ring, PTFE/FKM cam gasket, PTFE O-ring (for DBC66-200)	4C, 5, 13E, 19E, 24
<b>DBCx7-200RK1</b> (Kalrez® & PTFE/FKM)	replacement seal kit, Kalrez® crank shaft O-ring, PTFE stuffing box O-ring, PTFE/FKM body O-ring, PTFE/FKM cam gasket, PTFE O-ring (for DBC67-200)	4C, 5, 13F, 19E, 24
<b>DBC61-200RK2</b>	replacement Buna seal cylinder, PTFE buttons and PTFE bushing (for DBC61-200)	9A, 10, 12
<b>DBC62-200RK2</b>	Replacement FKM seal cylinder, PTFE buttons and PTFE bushing (for DBC62-200)	9B, 10, 12
<b>DBCx3-200RK2</b>	replacement PTFE nose seal, PTFE buttons and PTFE bushing (for DBC63-200, DBC66-200 & DBC67-200)	10, 12, 31
<b>DBC64-200RK2</b>	replacement EPDM seal cylinder, PTFE buttons and PTFE bushing (for DBC64-200)	9D, 10, 12
<b>DBCxx-200RK4</b>	replacement link kit, link rivet, cotter pins, link washer, link arm and yoke (for all 2" aluminum)	11, 14, 16, 22, 23
<b>DBCxx-200RK5</b>	replacement stuffing box kit, stuffing box, PTFE O-ring & large crank shaft bearing (for all 2" aluminum)	2, 5, 6
<b>DBCxx-200RK6</b>	replacement lever (handle) kit, lever, groove pin, lock washer & socket head cap screw (for all 2" aluminum)	8, 15, 28, 29
<b>DBCxx-200RK7</b>	replacement crank shaft kit, crank shaft, cotter pin & washer (for all 2" aluminum)	16, 21, 23
<b>DBCxx-200RK8</b>	main cylinder spring	25
<b>DBCxx-200RK9</b>	replacement poppet kit, poppet, round head screw, set screw and PTFE O-Ring (for all 2" aluminum)	20, 24, 26, 27
<b>DBCL-200</b>	optional add on padlockable lever kit, handle (for all 2")	not illustrated

Petroleum Replacement Parts

Product instruction sheets and technical data can be viewed on our website at [dixonvalve.com](http://dixonvalve.com)

# Dry Disconnects

## DBC Cam and Groove Dry Disconnects

### 2" Stainless Couplers

#### 2" stainless coupler

#### Bill of Materials

#### DBC7x-200

Item #	Description	Part #	Qty
1	body	---	1
2	stuffing box	40074SS	1
3	back up ring	40075TF	1
4A	crank shaft O-ring Buna (for DBC71-200)	40076BN	1
4B	crank shaft O-ring FKM (for DBC72-200)	40076VI	1
4C	crank shaft O-ring Kalrez® (for DBC73-200, DBC77-200, DBC76-200)	40076KR	1
4D	crank shaft O-ring EPDM (for DBC74-200)	40076EP	1
5	stuffing box PTFE O-ring	40077TF	1
6	large crank shaft bearing	40078FG	1
7	small crank shaft bearing	40079SS	1
8	lever (handle)	40080SS	1
9A	seal cylinder (for DBC71-200)	40081SSBN	1
9B	seal cylinder (for DBC72-200)	40081SSVI	1
9C	seal cylinder (for DBC73-200, DBC76-200, DBC77-200)	40168SS	1
9D	seal cylinder (for DBC74-200)	40081SSEP	6
10	PTFE button	40082TF	1
11	yoke	40083SS	1
12	PTFE bushing	40084TF	1
13A	body O-ring Buna (for DBC71-200)	40085BN	1
13B	body O-ring FKM (for DBC72-200)	40085VI	1
13C	body O-ring PTFE/Silicone (for DBC73-200)	40085TS	1
13D	body O-ring EPDM (for DBC74-200)	40085EP	1
13E	body O-ring Kalrez® (for DBC76-200)	40085KR	1
13F	body O-ring PTFE/FKM (DBC77-200)	40085TV	1
14	link rivet	40086SS	1
15	groove pin	40087SS	1
16	crank shaft cotter pin	40088SS	1
17	link cotter pin	40088SS	2
18	EZ Boss-Lock™ cam arm	40089SS	1
19A	cam gasket Buna (for DBC71-200)	250-G-BU	1
19B	cam gasket FKM (for DBC72-200)	250-G-VI	1
19C	cam gasket PTFE/Silicone (for DBC73-200)	250-G-TES	1
19D	cam gasket EPDM (for DBC74-200)	250-G-EPR	1
19E	cam gasket PTFE/FKM (for DBC76-200, DBC77-200)	250-G-TEV	1
20	poppet	40091SS	1
21	crank shaft	40092SS	1
22	link arm	40093SS	1
23	link washer	40094SS	1
24	poppet screw PTFE O-ring	40095TF	1
25	cylinder spring	40096SS	1
26	set screw	40097SS	1
27	poppet screw (round head)	40098SS	1
28	lock washer	40099SS	1
29	socket head cap screw	40100SS	1
30	cam arm spring pin	40101SS	2
31	nose seal (for DBC73-200, DBC76-200 and DBC77-200)	40170TF	1

#### Repair Kits

Part #	Description	Includes Item #
<b>DBCx1-200RK1</b> (Buna-N)	replacement seal kit, Buna crank shaft O-ring, PTFE stuffing box O-ring, Buna body O-ring, Buna cam gasket, PTFE O-ring (for DBC71-200)	4A, 5, 13A, 19A, 24
<b>DBCx2-200RK1</b> (FKM)	replacement seal kit, FKM crank shaft O-ring, PTFE stuffing box O-ring, FKM body O-ring, FKM cam gasket, PTFE O-ring (for DBC72-200)	4B, 5, 13B, 19B, 24
<b>DBCx3-200RK1</b> (PTFE/Silicone and Kalrez®)	replacement seal kit, Kalrez® crank shaft O-ring, PTFE stuffing box O-ring, PTFE/Silicone body O-ring, PTFE/Silicone cam gasket, PTFE O-ring (for DBC73-200)	4C, 5, 13C, 19C, 24
<b>DBCx4-200RK1</b> (EPDM)	replacement seal kit, EPDM crank shaft O-ring, PTFE stuffing box O-ring, EPDM body O-ring, EPR cam gasket, PTFE O-ring (for DBC74-200)	4D, 5, 13D, 19D, 24
<b>DBCx6-200RK1</b> (Kalrez® & PTFE/FKM)	replacement seal kit, Kalrez® crank shaft O-ring, PTFE stuffing box O-ring, Kalrez® body O-ring, PTFE/FKM cam gasket, PTFE O-ring (for DBC76-200)	4C, 5, 13E, 19E, 24
<b>DBCx7-200RK1</b> (PTFE/FKM and Kalrez®)	replacement seal kit, Kalrez® crank shaft O-ring, PTFE stuffing box O-ring, PTFE/FKM body O-ring, PTFE/FKM cam gasket, PTFE O-ring (for DBC77-200)	4C, 5, 13F, 19E, 24
<b>DBC71-200RK2</b>	replacement Buna seal cylinder, PTFE buttons and PTFE bushing (for DBC71-200)	9A, 10, 12
<b>DBC72-200RK2</b>	replacement FKM seal cylinder, PTFE buttons and PTFE bushing (for DBC72-200)	9B, 10, 12
<b>DBCx3-200RK2</b>	replacement PTFE nose seal, PTFE buttons and PTFE bushing (for DBC73-200, DBC76-200 & DBC77-200)	10, 12, 31
<b>DBC74-200RK2</b>	replacement EPDM seal cylinder, PTFE buttons & PTFE bushing (for DBC74-200)	9D, 10, 12
<b>DBCxx-200RK4</b>	replacement link kit, link rivet, cotter pins, link washer, link arm, yoke (for all 2" SS)	11, 14, 16, 17, 22, 23
<b>DBCxx-200RK5</b>	replacement stuffing box kit, stuffing box, PTFE O-ring and large crank shaft bearing (for all 2" SS)	2, 5, 6
<b>DBCxx-200RK6</b>	replacement lever (handle) kit, lever, groove pin, lock washer and socket head cap screw (for all 2" SS)	8, 15, 28, 29
<b>DBCxx-200RK7</b>	replacement crank shaft kit, crank shaft, cotter pin and washer (for all 2" SS)	16, 21, 23
<b>DBCxx-200RK8</b>	main cylinder spring	25
<b>DBCxx-200RK9</b>	replacement poppet kit, poppet, round head screw, set screw and PTFE O-ring (for all 2" SS)	20, 24, 26, 27
<b>DBCL-200</b>	optional add on padlockable lever kit (handle) (for all 2")	not illustrated

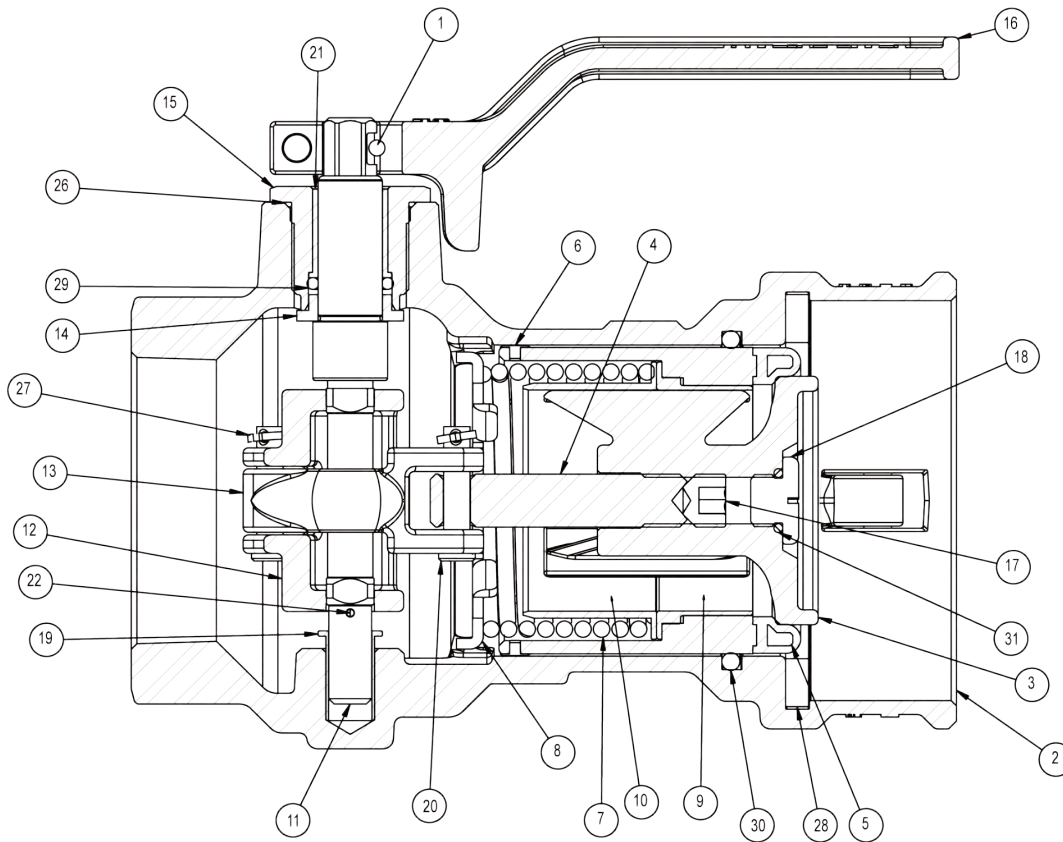
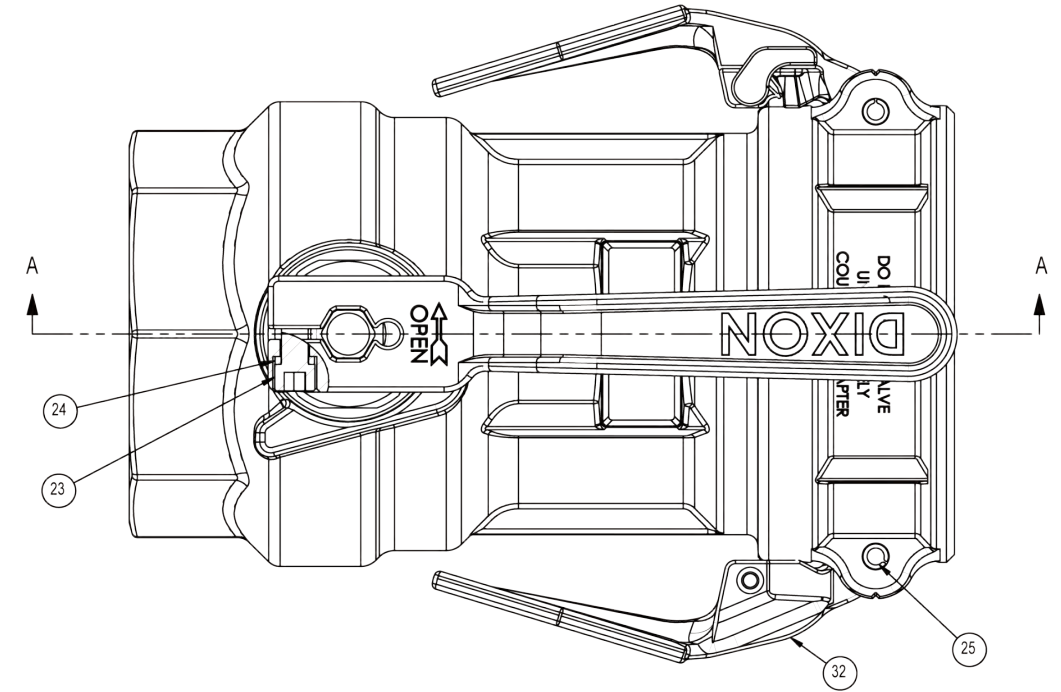
Petroleum Replacement Parts

Product instruction sheets and technical data can be viewed on our website at [dixonvalve.com](http://dixonvalve.com)

# Dry Disconnects

## DBC Cam and Groove Dry Disconnects

3" Aluminum Couplers



SECTION A-A

Product instruction sheets and technical data can be viewed on our website at [dixonvalve.com](http://dixonvalve.com)



# Dry Disconnects

## DBC Cam and Groove Dry Disconnects

### 3" Aluminum Couplers

### 3" aluminum coupler

#### Bill of Materials

#### DBC6x-300

Item #	Description	Part #	Qty
1	groove pin	40087SS	1
2	body	---	1
3	poppet	40195SS	1
4	stem	40196SS	1
5A	seal cylinder (for DBC61-300)	40197ALBN	1
5B	seal cylinder (for DBC62-300)	40197ALVI	1
5C	seal cylinder (for DBC63-300, DBC66-300 & DBC67-300)	40304SS	1
5D	seal cylinder (for DBC64-300)	40197SSEP	1
5E	seal cylinder (for DBC69-300)	40197SSVB	1
6	PTFE button	40198TF	8
7	cylinder spring	DBCxx-300RK8	1
8	poppet spring seat	40200AL	1
9	PTFE bushing	40201TF	1
10	poppet spring guide	40202SS	1
11	shaft	40203SS	1
12	yoke	40204SS	1
13	link	40205SS	1
14	shaft retainer	40206SS	1
15	stuffing box	40207SS	1
16	lever (handle)	40208SS	1
17	set screw	40209SS	1
18	poppet screw	40210SS	1
19	PTFE bearing	40211TF	1
20	clevis pin	40212SS	2
21	bearing	40213FG	1
22	cotter pin	40214SS	1
23	lever (handle) screw	40216SS	1
24	lever (handle) lock washer	40217SS	1
25	cam arm pin	40218SS	2
26	PTFE O-ring	40219TF	1
27	cotter pin	40221SS	2
28A	Buna coupler gasket (for DBC61-300)	DBCx1-300RK3	1
28B	FKM coupler gasket (for DBC62-300)	DBCx2-300RK3	1
28C	PTFE/Silicone coupler gasket (for DBC63-300)	DBCx3-300RK3	1
28D	EPDM coupler gasket (for DBC64-300)	DBCx4-300RK3	1
28E	PTFE/FKM coupler gasket (for DBC66-300 & DBC67-300)	40222TV	1
28F	FKM-B coupler gasket (for DBC69-300)	DBCx9-300RK3	1
29A	Buna O-ring (for DBC61-300)	40223BN	1
29B	FKM O-ring (for DBC62-300)	40223VI	1
29C	Kalrez® O-ring (for DBC63-300, DBC66-300 & DBC67-300)	40223KR	1
29D	EPDM O-ring (for DBC64-300)	40223EP	1
29E	FKM-B O-ring (for DBC69-300)	40223VB	1
30A	Buna O-ring (for DBC61-300)	40224BN	1
30B	FKM O-ring (for DBC62-300)	40224VI	1
30C	PTFE/Silicone O-Ring (for DBC63-300)	40224TS	1
30D	EPDM O-ring (for DBC64-300)	40224EP	1
30E	Kalrez® O-ring (for DBC66-300)	40224KR	1
30F	PTFE/FKM O-ring (for DBC67-300)	40224TV	1
30G	FKM-B O-ring (for DBC69-300)	40224VB	1
31	PTFE O-ring	40235TF	1
32	locking paddle arm	40285SSSS	2
33	nose seal (for DBC63-300, DBC66-300 & DBC67-300)	40305TF	1

#### Repair Kits

Part #	Description	Includes Item #
<b>DBCx1-300RK1</b> (Buna-N)	replacement seal kit, Buna stuffing box O-ring, PTFE stuffing box to body O-ring, Buna body O-ring, Buna cam gasket, PTFE Poppet screw O-ring (for DBC61-300)	26, 28A, 29A, 30A, 31
<b>DBCx2-300RK1</b> (FKM)	replacement seal kit, FKM stuffing box O-ring, PTFE stuffing box to body O-ring, FKM body O-ring, FKM cam gasket, PTFE Poppet screw O-ring (for DBC62-300)	26, 28B, 29B, 30B, 31
<b>DBCx3-300RK1</b> (PTFE/Silicone & Kalrez®)	replacement seal kit, Kalrez® stuffing box O-ring, PTFE stuffing box to body O-ring, PTFE/Silicone body O-ring, PTFE/Silicone cam gasket, PTFE Poppet screw O-ring (for DBC63-300)	26, 28C, 29C, 30C, 31
<b>DBCx4-300RK1</b> (EPDM)	replacement seal kit, EPDM stuffing box O-ring, PTFE stuffing box to body O-ring, EPDM body O-ring, EPDM cam gasket, PTFE Poppet screw O-ring (for DBC64-300)	26, 28D, 29D, 30D, 31
<b>DBCx6-300RK1</b> (Kalrez® and PTFE/FKM)	replacement seal kit, Kalrez® stuffing box O-ring, PTFE stuffing box to body O-ring, Kalrez® body O-ring, PTFE/FKM cam gasket, PTFE poppet screw O-ring (for DBC66-300)	26, 28E, 29C, 30E, 31
<b>DBCx7-300RK1</b> (PTFE/FKM and Kalrez®)	replacement seal kit, Kalrez® stuffing box O-ring, PTFE stuffing box to body O-ring, PTFE/FKM body O-ring, PTFE/FKM cam gasket, PTFE Poppet screw O-ring (for DBC67-300)	26, 28E, 29C, 30F, 31
<b>DBCx9-300RK1</b> (FKM-B)	replacement seal kit, FKM-B stuffing box O-ring, PTFE stuffing box to body O-ring, FKM-B body O-ring, FKM-B cam gasket, PTFE Poppet screw O-ring (for DBC69-300)	26, 28F, 29E, 30G, 31
<b>DBC61-300RK2</b>	replacement Buna seal cylinder, PTFE buttons and PTFE bushing (for DBC61-300)	5A, 6, 9
<b>DBC62-300RK2</b>	replacement FKM seal cylinder, PTFE buttons and PTFE bushing (for DBC62-300)	5B, 6, 9
<b>DBCx3-300RK2</b>	replacement PTFE nose seal, PTFE buttons and PTFE bushing (for DBC63-300, DBC66-300 & DBC67-300)	6, 9, 33
<b>DBC64-300RK2</b>	replacement EPDM seal cylinder, PTFE buttons and PTFE bushing (for DBC64-300)	5D, 6, 9
<b>DBC69-300RK2</b>	replacement FKM-B seal cylinder, PTFE buttons and PTFE bushing (for DBC69-300)	5E, 6, 9
<b>DBCx1-300RK3</b>	replacement Buna coupler gasket	28A
<b>DBCx2-300RK3</b>	replacement FKM coupler gasket	28B
<b>DBCx3-300RK3</b>	replacement PTFE/Silicone coupler gasket	28C
<b>DBCx4-300RK3</b>	replacement EPDM coupler gasket	28D
<b>DBCx9-300RK3</b>	replacement FKM-B coupler gasket	28F
<b>DBCxx-300RK4</b>	replacement link kit, clevis pin, cotter pin, stem, link and yoke (for all 3" aluminum)	4, 12, 13, 20, 22, 27
<b>DBCxx-300RK5</b>	replacement stuffing box kit, stuffing box, PTFE O-ring & bearing	15, 21, 26
<b>DBCxx-300RK6</b>	replacement lever (handle) kit, lever, groove pin, lock washer & socket head cap screw (for all 3" aluminum)	1, 16, 23, 24
<b>DBCxx-300RK7</b>	replacement shaft kit, shaft, cotter pin, bearing, shaft retainer	11, 14, 19, 22
<b>DBCxx-300RK8</b>	main cylinder spring	7
<b>DBCxx-300RK9</b>	replacement poppet kit, poppet and screw, set screw and PTFE O-ring	3, 17, 18, 31

Petroleum Replacement Parts

Product instruction sheets and technical data can be viewed on our website at [dixonvalve.com](http://dixonvalve.com)



# Dry Disconnects

## DBC Cam and Groove Dry Disconnects

### 3" stainless coupler

### 3" Stainless Couplers

#### Bill of Materials

#### DBC7x-300

Item #	Description	Part #	Qty
1	groove pin	40087SS	1
2	body	---	1
3	poppet	40195SS	1
4	stem	40196SS	1
5A	seal cylinder Buna (for DBC71-300)	40197SSBN	1
5B	seal cylinder FKM (for DBC72-300)	40197SSVI	1
5C	stainless cylinder (for DBC73-300, DBC76-300 & DBC77-300)	40304SS	1
5D	seal cylinder EPDM (for DBC74-300)	40197SSSEP	1
5E	seal cylinder FKM-B (for DBC79-300)	40197SSVB	1
6	PTFE button	40198TF	8
7	cylinder spring	DBCxx-300RK8	1
8	spring seat	40200SS	1
9	PTFE bushing	40201TF	1
10	spring guide	40202SS	1
11	shaft	40203SS	1
12	yoke	40204SS	1
13	link arm	40205SS	1
14	shaft retainer	40206SS	1
15	stuffing box	40207SS	1
16	lever (handle)	40208SS	1
17	set screw	40209SS	1
18	poppet screw	40210SS	1
19	PTFE bearing	40211TF	1
20	clevis pin	40212SS	2
21	bearing	40213FG	1
22	cotter pin	40214SS	1
23	lever (handle) screw	40216SS	1
24	lever (handle) lock washer	40217SS	1
25	cam arm pin	40218SS	2
26	PTFE O-ring	40219TF	1
27	cotter pin	40221SS	2
28A	Buna coupler gasket (for DBC71-300)	DBCx1-300RK3	1
28B	FKM coupler gasket (for DBC72-300)	DBCx2-300RK3	1
28C	PTFE/Silicone coupler gasket (for DBC73-300)	40222TS	1
28D	EPDM coupler gasket (for DBC74-300)	40222EP	1
28E	PTFE/FKM coupler gasket (for DBC76-300 & DBC77-300)	40222TV	1
28F	FKM-B coupler gasket (for DBC79-300)	DBCx9-300RK3	1
29A	Buna O-ring (for DBC71-300)	40223BN	1
29B	FKM O-ring (for DBC72-300)	40223VI	1
29C	Kalrez® O-ring (for DBC73-300, DBC76-300 and DBC77-300)	40223KR	1
29D	EPDM O-ring (for DBC74-300)	40223EP	1
29E	FKM-B O-ring (for DBC79-300)	40223VB	1
30A	Buna O-ring (for DBC71-300)	40224BN	1
30B	FKM O-ring (for DBC72-300)	40224VI	1
30C	PTFE/Silicone O-ring (for DBC73-300)	40224TS	1
30D	EPDM O-ring (for DBC74-300)	40224EP	1
30E	Kalrez® O-ring (for DBC76-300)	40224KR	1
30F	PTFE/FKM O-ring (for DBC77-300)	40224TV	1
30G	FKM-B O-ring (for DBC79-300)	40224VB	1
31	PTFE O-ring	40235TF	1
32	locking paddle arm	40285SSSS	2
33	PTFE nose seal (for DBC73-300, DBC76-300 and DBC77-300)	40305TF	1

#### Repair Kits

Part #	Description	Includes Item #
DBCx1-300RK1 (Buna-N)	replacement seal kit, Buna stuffing box O-ring, PTFE stuffing box to body O-ring, Buna body O-ring, Buna cam gasket, PTFE poppet screw O-ring (for DBC71-300)	26, 28A, 29A, 30A, 31
DBCx2-300RK1 (FKM)	replacement seal kit, FKM stuffing box O-ring, PTFE stuffing box to body O-ring, FKM body O-ring, FKM cam gasket, PTFE poppet screw O-ring (for DBC72-300)	26, 28B, 29B, 30B, 31
DBCx3-300RK1 (PTFE/Silicone & Kalrez®)	replacement seal kit, Kalrez® stuffing box O-ring, PTFE stuffing box to body O-ring, PTFE/Silicone body O-ring, PTFE/Silicone cam gasket, PTFE poppet screw O-ring (for DBC73-300)	26, 28C, 29C, 30C, 31
DBCx4-300RK1 (EPDM)	replacement seal kit, EPDM stuffing box O-ring, PTFE stuffing box to body O-ring, EPDM body O-ring, EPDM cam gasket, PTFE poppet screw O-ring (for DBC74-300)	26, 28D, 29D, 30D, 31
DBCx6-300RK1 (Kalrez® and PTFE/FKM)	replacement seal kit, Kalrez® stuffing box O-ring, PTFE stuffing box to body O-ring, Kalrez® body O-ring, PTFE/FKM cam gasket, PTFE poppet screw O-ring (for DBC76-300)	26, 28E, 29C, 30E, 31
DBCx7-300RK1 (PTFE/FKM & Kalrez®)	replacement seal kit, Kalrez® stuffing box O-ring, PTFE stuffing box to body O-ring, PTFE/FKM body O-ring, PTFE/FKM cam gasket, PTFE poppet screw O-ring (for DBC77-300)	26, 28E, 29C, 30F, 31
DBCx9-300RK1 (FKM-B)	replacement seal kit, FKM-B stuffing box O-ring, PTFE stuffing box to body O-ring, FKM-B body O-ring, FKM cam gasket, PTFE poppet screw O-ring (for DBC79-300)	26, 28F, 29E, 30G, 31
DBC69-300RK2	replacement FKM-B seal cylinder, PTFE buttons and PTFE bushing (for DBC79-300)	5E, 6, 9
DBC71-300RK2	replacement Buna seal cylinder, PTFE buttons and PTFE bushing (for DBC71-300)	5A, 6, 9
DBC72-300RK2	replacement FKM seal cylinder, PTFE buttons and PTFE bushing (for DBC72-300)	5B, 6, 9
DBCx3-300RK2	replacement PTFE nose seal, PTFE buttons & PTFE bushing (for DBC73-300, DBC76-300 and DBC77-300)	6, 9, 33
DBC74-300RK2	replacement EPDM seal cylinder, PTFE buttons and PTFE bushing (for DBC74-300)	5D, 6, 9
DBCx1-300RK3	replacement Buna coupler gasket	28A
DBCx2-300RK3	replacement FKM coupler gasket	28B
DBCxx-300RK4	replacement link kit, clevis pin, cotter pin, stem, link arm and yoke (for all 3" SS)	4, 12, 13, 20, 22, 27
DBCxx-300RK5	replacement stuffing box kit, stuffing box, PTFE O-ring & bearing (for all 3" SS)	15, 21, 26
DBCxx-300RK6	replacement lever (handle) kit, lever, groove pin, lock washer and socket head cap screw (for all 3" SS)	1, 16, 23, 24
DBCxx-300RK7	replacement shaft kit, shaft, cotter pin bearing, shaft retainer, (for all 3" SS)	11, 14, 19, 22
DBCxx-300RK8	main cylinder spring	7
DBCxx-300RK9	replacement poppet kit, poppet, poppet screw, set screw and PTFE O-ring (for all 3" SS)	3, 17, 18, 31

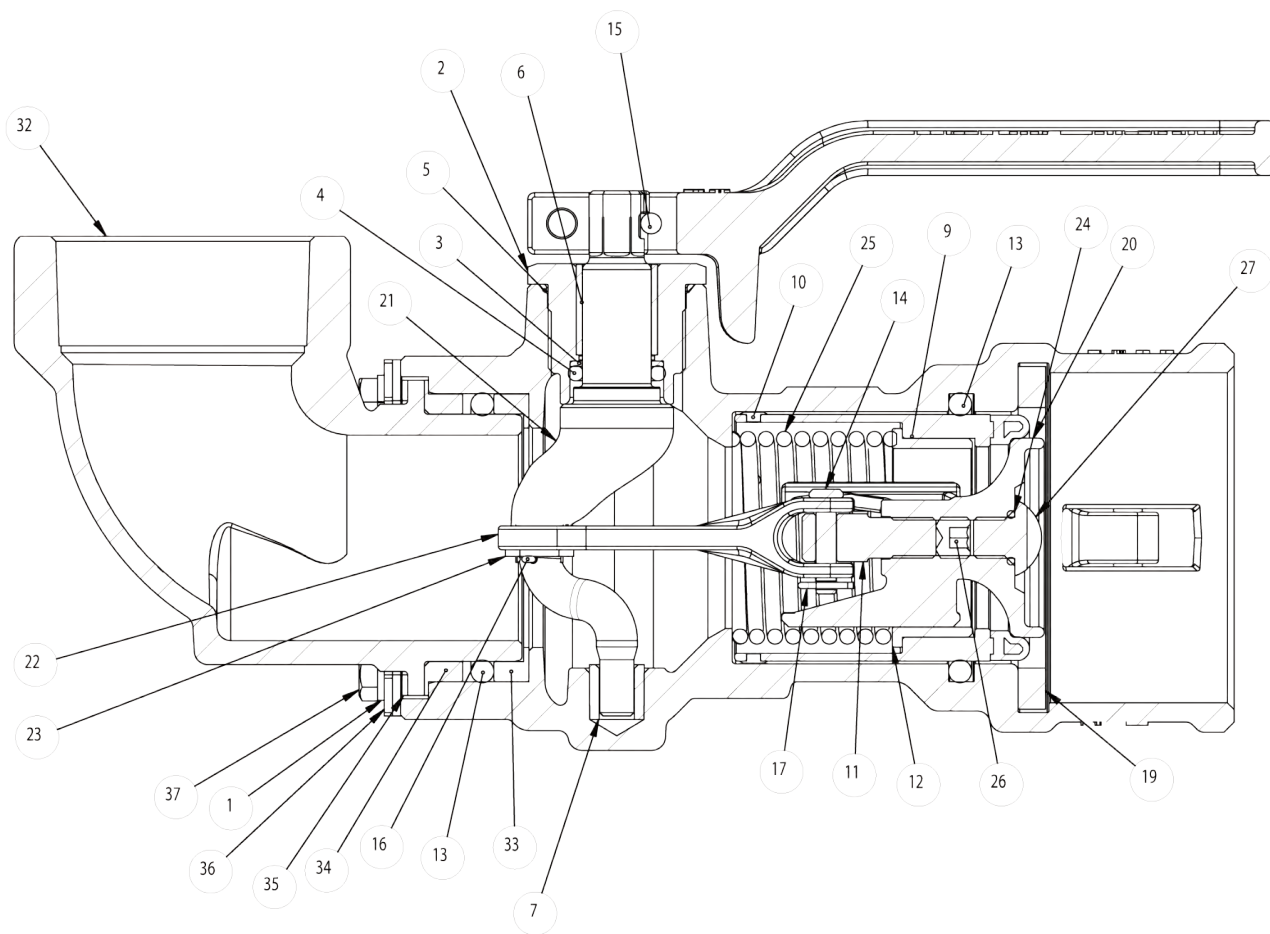
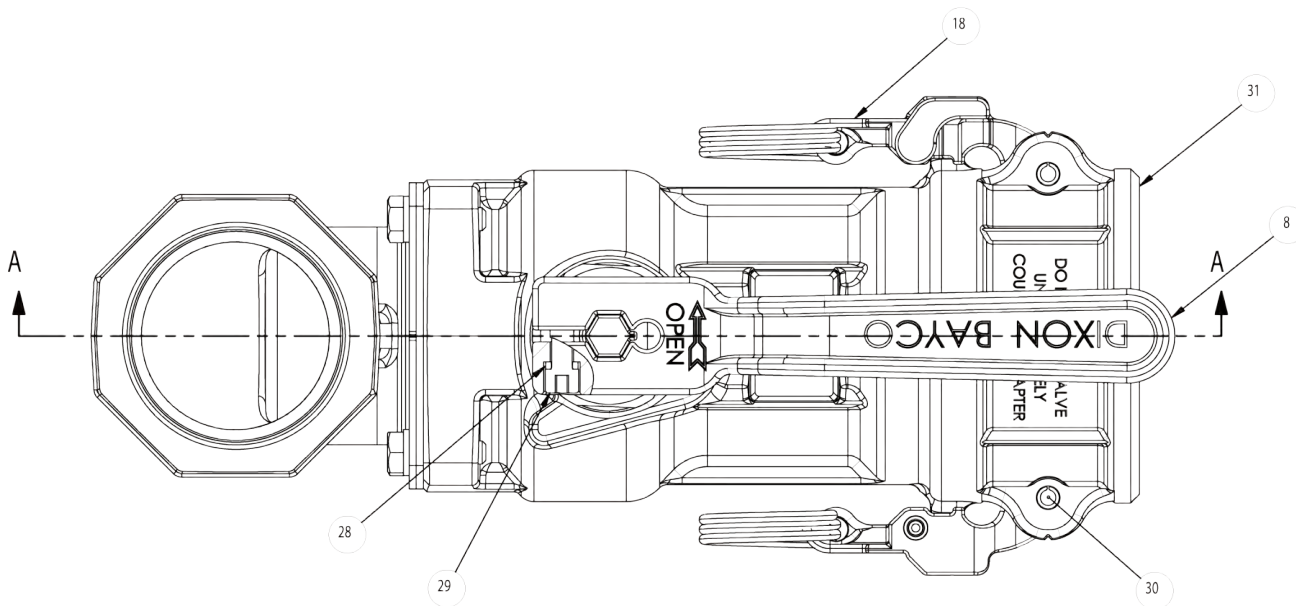
Petroleum Replacement Parts

Product instruction sheets and technical data can be viewed on our website at [dixonvalve.com](http://dixonvalve.com)

# Dry Disconnects

## DBS 90° Swivel Cam and Groove Dry Disconnects

2" Aluminum 90° Swivel Couplers



Section A - A

Product instruction sheets and technical data can be viewed on our website at [dixonvalve.com](http://dixonvalve.com)

Petroleum  
Replacement Parts

# Dry Disconnects

## DBS 90° Swivel Cam and Groove Dry Disconnects

### 2" Aluminum 90° Swivel Couplers

#### 2" aluminum 90° coupler

#### Bill of Materials

#### DBS6x-200

Item #	Description	Part #	Qty
1	lock washer	10111	4
2	stuffing box	40074SS	1
3	back up ring	40075TF	1
4A	crank shaft O-ring Buna (for DBS61-200)	40076BN	1
4B	crank shaft O-ring FKM (for DBS62-200)	40076VI	1
4C	crank shaft O-ring Kalrez® (for DBS63-200)	40076KR	1
5	stuffing box PTFE O-ring	40077TF	1
6	large crank shaft bearing	40078FG	1
7	small crank shaft bearing	40079SS	1
8	lever (handle)	40080SS	1
9A	seal cylinder (for DBS61-200)	40081ALBN	1
9B	seal cylinder (for DBS62-200)	40081ALVI	1
9C	seal cylinder (for DBS63-200)	40168SS	1
10	PTFE button	40082TF	6
11	yoke	40083SS	1
12	PTFE bushing	40084TF	1
13A	body and swivel Buna O-ring (for DBS61-200)	40085BN	2
13B	body and swivel FKM O-ring (for DBS62-200)	40085VI	2
13C	body and swivel PTFE/Silicone® O-ring (for DBS63-200)	40085TS	2
14	link rivet	40086SS	1
15	groove pin	40087SS	1
16	crank shaft cotter pin	40088SS	1
17	link cotter pin	40088SS	1
18	EZ Boss-Lock™ cam arm	40089SS	2
19A	cam gasket Buna (for DBS61-200)	250-G-BU	1
19B	cam gasket FKM (for DBS62-200)	250-G-VI	1
19C	cam gasket PTFE/Silicone® (for DBS63-200)	250-G-TES	1
20	poppet	40091SS	1
21	crank shaft	40092SS	1
22	link arm	40093SS	1
23	link washer	40094SS	1
24	poppet screw PTFE O-ring	40095TF	1
25	cylinder spring	DBCxx-200RK8	1
26	set screw	40097SS	1
27	poppet screw (round head)	40098SS	1
28	lock washer	40099SS	1
29	socket head cap screw	40100SS	1
30	cam arm spring pin	40101SS	2
31	main body	---	1
32	elbow body	---	1
33	bottom bearing	40106AC	1
34	top bearing	40108AC	1
35	washer	40109AC	1
36	flange retainer	40110ST	4
37	screw	40111SS	4
not illustrated	nose seal (for DBS63-200)	40170TF	1

#### Repair Kits

Part #	Description	Includes Item #
<b>DBS61-200RK1</b>	replacement seal kit, Buna crank shaft O-ring, PTFE stuffing box O-ring, Buna and Swivel body O-rings, Buna cam gasket, PTFE O-ring (for DBS61-200)	4A, 5, 13A, 19A, 24
<b>DBS62-200RK1</b>	replacement seal kit, FKM crank shaft O-ring, PTFE stuffing box O-ring, FKM body and swivel O-rings, FKM cam gasket, PTFE O-ring (for DBS62-200)	4B, 5, 13B, 19B, 24
<b>DBS63-200RK1</b>	replacement seal kit, Kamrez® crank shaft O-ring, PTFE stuffing box O-ring, PTFE/Silicone® body and swivel O-rings, PTFE/Silicone® cam gasket, PTFE O-ring (for DBS63-200)	4C, 5, 13C, 19C, 24
<b>DBS61-200RK4</b>	swivel rebuild kit, Buna body O-ring, top and bottom bearings, washer, flange retainers and screws (for DBS61-200)	13A, 33, 34, 35, 36, 37
<b>DBS62-200RK4</b>	swivel rebuild kit, FKM body O-ring, top and bottom bearings, washer, flange retainers and screws (for DBS62-200)	13B, 33, 34, 35, 36, 37
<b>DBS63-200RK4</b>	swivel rebuild kit, PTFE/Silicone® body O-ring, top and bottom bearings, washer, flange retainers and screws (for DBS63-200)	13C, 33, 34, 35, 36, 37
<b>DBS61-200RK10</b>	replacement swivel seal kit, Buna body O-ring, top and bottom bearings (for DBS61-200)	13A, 33, 34, 35
<b>DBS62-200RK10</b>	replacement swivel seal kit, FKM body O-ring, top and bottom bearings (for DBS62-200)	13B, 33, 34, 35
<b>DBS63-200RK10</b>	replacement swivel seal kit, PTFE/Silicone® body O-ring, top and bottom bearings (for DBS63-200)	13C, 33, 34, 35
<b>DBC61-200RK2</b>	replacement Buna seal cylinder, PTFE buttons and PTFE bushing (for DBS61-200)	9A, 10, 12
<b>DBC62-200RK2</b>	replacement FKM seal cylinder, PTFE buttons and PTFE bushing (for DBS62-200)	9B, 10, 12
<b>DBCx3-200RK2</b>	replacement PTFE nose seal, PTFE buttons and PTFE bushing (for DBS63-200)	10, 12, + items not illustrated
<b>DBCxx-200RK4</b>	replacement link kit, link rivet, cotter pins, link washer, link arm and yoke (for all 2")	11, 14, 16, 17, 22, 23
<b>DBCxx-200RK5</b>	replacement stuffing box kit, stuffing box, PTFE O-ring and large crank shaft bearing (for all 2")	2, 5, 6
<b>DBCxx-200RK6</b>	replacement lever (handle) kit, lever, groove pin, lock washer and socket head cap screw (for all 2")	8, 15, 28, 29
<b>DBCxx-200RK7</b>	replacement crank shaft kit, crank shaft, cotter pin and washer (for all 2")	16, 21, 23
<b>DBCxx-200RK8</b>	main cylinder spring (for all 2")	25
<b>DBCxx-200RK9</b>	replacement poppet kit, poppet, round head screw, set screw & PTFE O-ring (for all 2")	20, 24, 26, 27
<b>DBCL-200</b>	optional add on padlockable lever kit, (handle) (for all 2")	not illustrated

Petroleum Replacement Parts

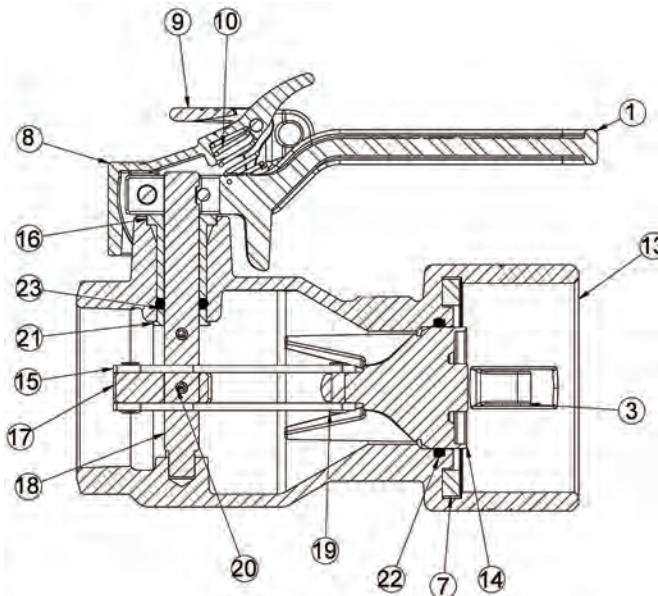
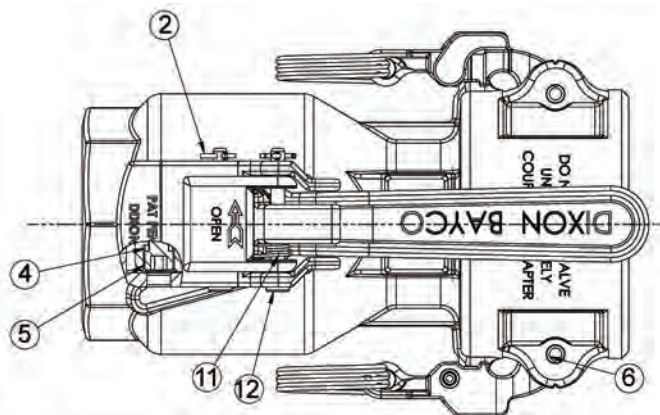
Product instruction sheets and technical data can be viewed on our website at [dixonvalve.com](http://dixonvalve.com)



# Dry Disconnects

## D2C Cam and Groove Actuator Style Dry Disconnects

1½" Stainless Couplers



Petroleum Replacement Parts

### 1½" Stainless Coupler

#### Bill of Materials D2C7x-150

Item #	Description	Part #	Qty
1	lever	40080SS	1
2	lever cotter pin	40088SS	2
3	EZ-Boss lock cam arm	40089SS	2
4	lock washer	40099SS	1
5	socket head screw	40100SS	1
6	cam arm spring pin	40101SS	2
7A	cam gasket Buna (for D2C71-150)	200-G-BU	1
7B	cam gasket FKM (for D2C72-150)	200-G-VI	1
7C	cam gasket PTFE/Silicone® (for D2C73-150)	200-G-TES	1
7D	cam gasket EPDM (for D2C74-150)	200-G-EPDM	1
8	lever latch	40225SS	1
9	lever lock	40226SS	1
10	lever lock compression spring	40230SS	1
11	lever lock torsion spring	40231SS	1
12	lever clevis pin	40232SS	2
13	body	--	1
14	poppet	40287SS	1
15	poppet link arm	40288SS	2
16	bearing	40289FG	1
17	poppet cam	40290SS	1
18	poppet lever shaft	40291SS	1
19	poppet link rivet	40292SS	2
20	poppet lever shaft spring pin	40293SS	2
21	spacer	40294SS	1
22	poppet O-ring PTFE/FKM	40295TV	1
23A	lever shaft O-ring Buna (for D2C71-150)	40296BN	1
23B	lever shaft O-ring FKM (for D2C72-150)	40296VI	1
23C	lever shaft O-ring Kalrez® (for D2C73-150)	40296KR	1
24D	lever shaft O-ring EPDM (for D2C74-150)	40296EP	1

### 2" Stainless Coupler

#### Bill of Materials D2C7x-200

Item #	Description	Part #	Qty
1	lever	40080SS	1
2	lever cotter pin	40088SS	2
3	EZ-Boss lock cam arm	40089SS	2
4	lock washer	40099SS	1
5	socket head screw	40100SS	1
6	cam arm spring pin	40101SS	2
7A	cam gasket Buna (for D2C71-200)	250-G-BU	1
7B	cam gasket FKM (for D2C72-200)	250-G-VI	1
7C	cam gasket PTFE/Silicone® (for D2C73-200)	250-G-TES	1
7D	cam gasket EPDM (for D2C74-200)	250-G-EPDM	1
8	lever latch	40225SS	1
9	lever lock	40226SS	1
10	lever lock compression spring	40230SS	1
11	lever lock torsion spring	40231SS	1
12	lever clevis pin	40232SS	2
13	body	--	1
14	poppet	40298SS	1
15	poppet link arm	40299SS	2
16	bearing	40289FG	1
17	poppet cam	40300SS	1
18	poppet lever shaft	40291SS	1
19	poppet link rivet	40292SS	2
20	poppet lever shaft spring pin	40293SS	2
21	spacer	40294SS	1
22	poppet O-ring PTFE/FKM	40301TV	1
23A	lever shaft O-ring Buna (for D2C71-200)	40296BN	1
23B	lever shaft O-ring FKM (for D2C72-200)	40296VI	1
23C	lever shaft O-ring Kalrez® (for D2C73-200)	40296KR	1
24D	lever shaft O-ring EPDM (for D2C74-200)	40296EP	1

Product instruction sheets and technical data can be viewed on our website at [dixonvalve.com](http://dixonvalve.com)

# Dry Disconnects

## Dry Disconnect Bayonet Style Adapters

2" and 3" Adapters

### 2" Stainless Adapter

#### Bill of Materials

##### BA3x-200

Item #	Description	Part #	Qty
1	stainless body	<b>40053SS</b>	1
2	brass poppet	<b>40054BR</b>	1
3	stainless deflector	<b>40055SS</b>	1
4	stainless spring	<b>40056SS</b>	1
5A	Buna O-ring (for BA31-200)	<b>BA31-200RK1</b>	1
5B	FKM O-ring (for BA32-200)	<b>BA32-200RK1</b>	1

### 3" Aluminum Adapter

#### Bill of Materials

##### BA6x-300

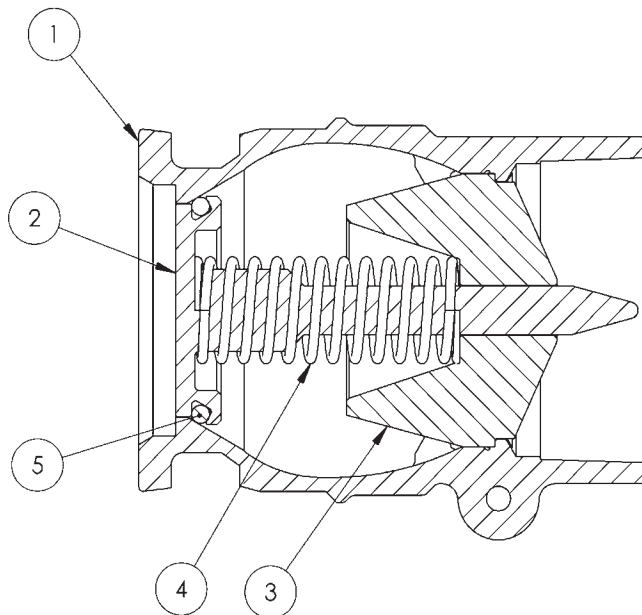
Item #	Description	Part #	Qty
1	aluminum body	<b>40278AL</b>	1
2	aluminum poppet	<b>40279AL</b>	1
3	aluminum deflector	<b>40280AL</b>	1
4	SS spring	<b>40281SS</b>	1
5A	Buna O-ring (for BA61-300)	<b>BA31-300RK1</b>	1
5B	FKM O-ring (for BA62-300)	<b>BA32-300RK1</b>	1

### 3" Bronze Adapter

#### Bill of Materials

##### BA3x-300

Item #	Description	Part #	Qty
1	bronze body	<b>40278BR</b>	1
2	bronze poppet	<b>40279BR</b>	1
3	bronze deflector	<b>40280BR</b>	1
4	SS spring	<b>40281SS</b>	1
5A	Buna O-ring (for BA31-300)	<b>BA31-300RK1</b>	1
5B	FKM O-ring (for BA32-300)	<b>BA32-300RK1</b>	1



Petroleum  
Replacement Parts

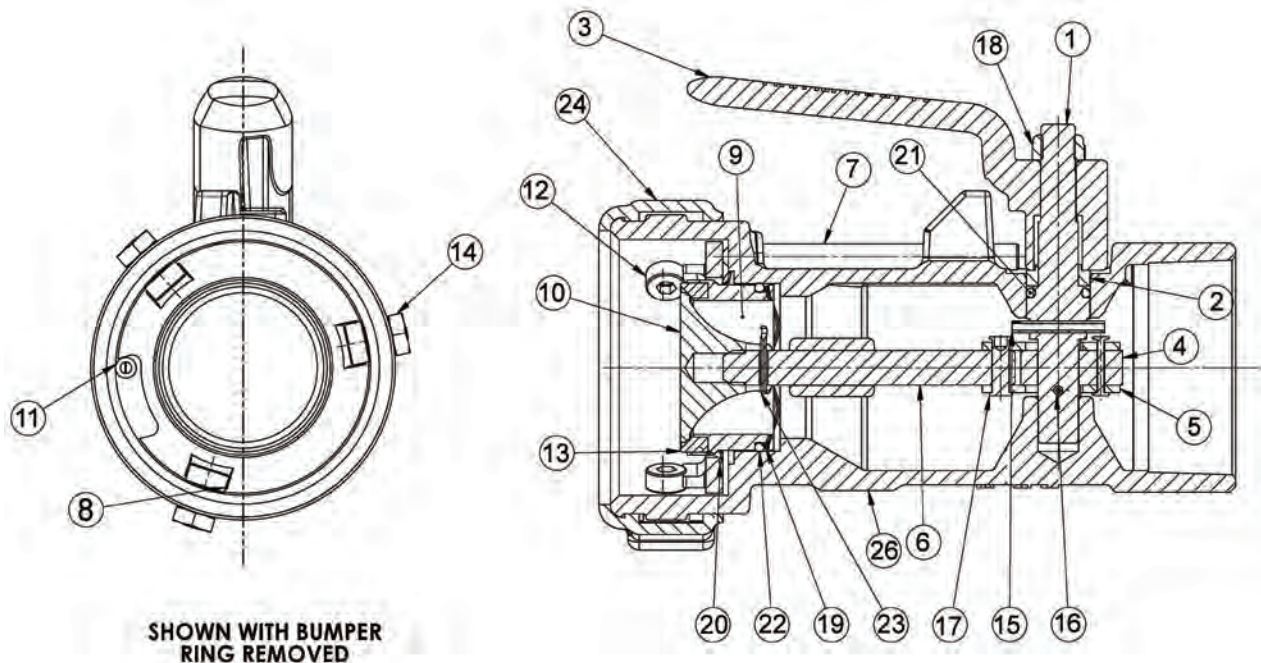
Product instruction sheets and technical data can be viewed on our website at [dixonvalve.com](http://dixonvalve.com)



# Dry Disconnects

## Dry Disconnect Bayonet Style Couplers

2" Straight Non-Swiveling Couplers



Petroleum Replacement Parts

**2" Stainless Coupler  
Bill of Materials  
BC6x-200**

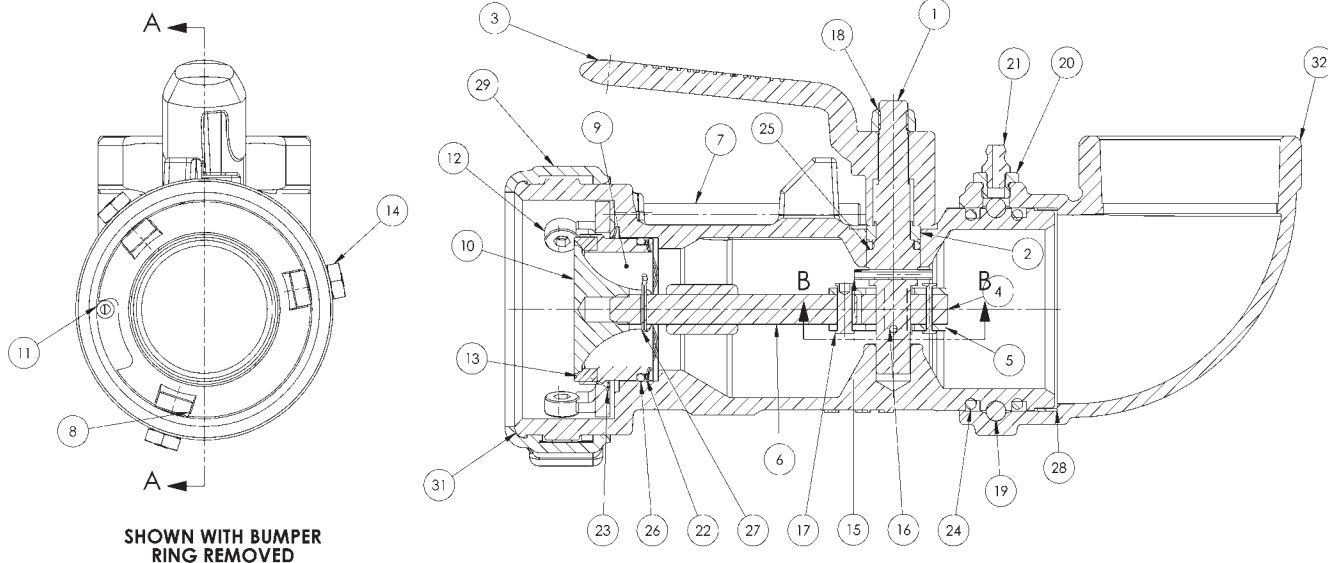
Item #	Description	Part #	Qty
1	lever shaft	40138SS	1
2	lever shaft follower	40139SS	1
3	lever	40140SS	1
4	poppet link arm	40141SS	1
5	bent link	40142SS	2
6	stem	40143SS	1
7	interlocking pin	40144SS	1
8	lock ring	40145SS	1
9	nose piece	40146HC	1
10	poppet	40147CA	1
11	coiled pin	40148SS	1
12	bayonet stud	40149SS	3
13A	nose seal Buna (for BC61-200)	40150BN	1
13B	nose seal FKM (for BC62-200)	40150VI	1
14	jam nut	40151SS	3
15	spring pin	40152SS	1
16	coiled pin	40153SS	1
17	rivet	40154SS	2
18	lock nut	40155SS	1
19	wave spring	40159SS	2
20	wave spring washer	40160SS	1
21A	shaft O-ring Buna (for BC61-200)	40162BN	1
21B	shaft O-ring FKM (for BC62-200)	40162VI	1
22A	poppet O-ring Buna (for BC61-200)	40163BN	1
22B	poppet O-ring FKM (for BC62-200)	40163VI	1
23	cotter pin	40164SS	1
24	bumper ring	40166VY	1
25	label	40167AL	1
26	body	--	1

Product instruction sheets and technical data can be viewed on our website at [dixonvalve.com](http://dixonvalve.com)

# Dry Disconnects

## Dry Disconnect Bayonet Style Couplers

### 2" 90° Straight Swivel Couplers



The 90° swivel coupler (BS series) is illustrated above. The straight swivel coupler (BSS series) uses the same components, except it does not have #21A grease nipple, it utilizes a #21B set screw plug.

#### Bill of Materials BS6x-200 and BSS6x-200

Item #	Description	Part #	Qty
1	lever shaft	40138SS	1
2	follower	40139SS	1
3	lever (handle)	40140SS	1
4	link	40141SS	1
5	belt link	40142SS	2
6	stem	40143SS	1
7	interlocking pin	40144SS	1
8	lock ring	40145SS	1
9	nose piece	40146HC	1
10	poppet	40147CA	1
11	coiled pin	40148SS	1
12	bayonet stud	40149SS	3
13A	Buna nose seal (BS61-200)	40150BN	1
13B	FKM nose seal (BS62-200)	40150VI	1
14	jam nut	40151SS	3
15	spring pin	40152SS	1
16	grooved pin	40153SS	1
17	rivet	40154SS	2
18	lock nut	40155SS	1

#### Bill of Materials, continued

Item #	Description	Part #	Qty
19	ball bearing	40156SS	32
20	ball plug	40157BR	1
21A	grease fitting (BS6x-200)	40158ST	1
21B	set screw (BSS6x-200)	40178SS	1
22	wave spring	40159SS	2
23	wave spring washer	40160SS	1
24A	Buna swivel O-ring (BS & BSS61-200)	40161BN	2
24B	FKM swivel O-ring (BS & BSS62-200)	40161VI	2
25A	Buna stem O-ring (BS & BSS61-200)	40162BN	1
25B	FKM stem O-ring (BS & BSS62-200)	40162VI	1
26A	Buna nose O-ring (BS & BSS61-200)	40163BN	1
26B	FKM nose O-ring (BS & BSS62-200)	40163VI	1
27	cotter pin	40164SS	1
28	bearing strip	40165NY	1
29	bumper ring	40166VY	1
30	label	40161AL	1
31	main body	---	1
32	swivel body	---	1

#### Repair Kits

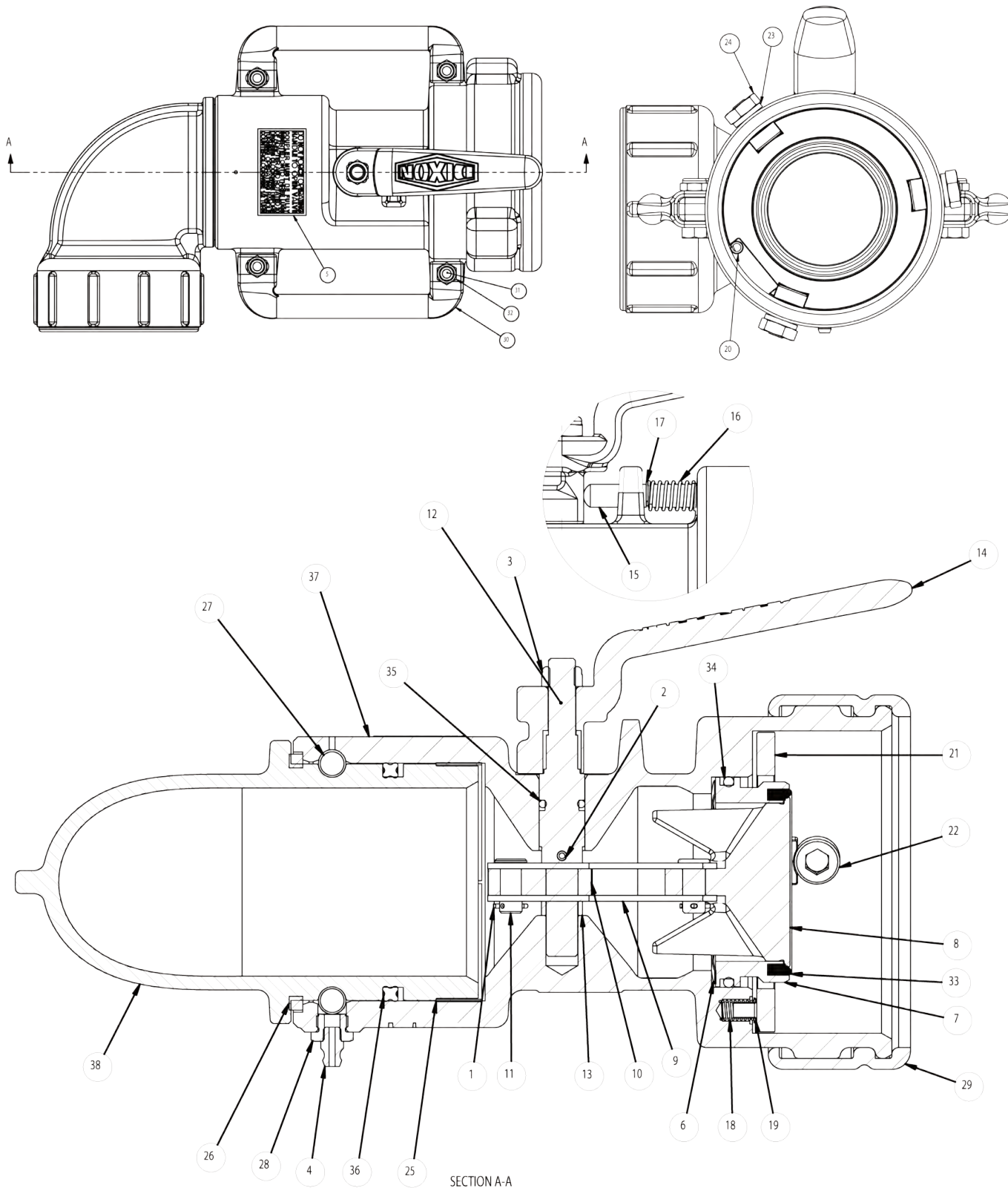
Part #	Description	Includes Item #
<b>BS61-200RK1</b>	Seal repair kit, Buna nose seal, spring pin, grooved pin, Buna swivel O-rings, Buna stem O-ring, Buna nose body O-ring, cotter pin, bearing strip & bumper ring	13A, 15, 16, 24A, 25A, 26A, 27, 28, 29
<b>BS62-200RK1</b>	Seal repair kit, FKM nose seal, spring pin, grooved pin, FKM swivel O-rings, FKM stem O-ring, FKM nose body O-ring, cotter pin, bearing strip & bumper ring	13B, 15, 16, 24B, 25B, 26B, 27, 28, 29
<b>BS61-200RK2</b>	Swivel seal repair kit, Buna swivel O-rings & bearing strip	24A, 28
<b>BS62-200RK2</b>	Swivel seal repair kit, FKM swivel O-rings & bearing strip	24B, 28

Product instruction sheets and technical data can be viewed on our website at [dixonvalve.com](http://dixonvalve.com)

# Dry Disconnects

## BA/BS/BSS Series Bayonet Style Dry Disconnects

3" 90° and Straight Swivel Couplers



Petroleum  
Replacement Parts

Product instruction sheets and technical data can be viewed on our website at [dixonvalve.com](http://dixonvalve.com)

# Dry Disconnects

## BA/BS/BSS Series Bayonet Style Dry Disconnects

### 3" 90° and Straight Swivel Couplers

The 90° swivel coupler (BS series) is illustrated on page 26.  
The straight swivel coupler (BSS series) uses the same components.

#### 3" swivel aluminum coupler

##### Bill of Materials

##### BS6x-300 and BSS6x-300

Item #	Description	Part #	Qty
1	cotter pin	40088SS	2
2	spring pin	40152SS	1
3	lock nut	40155SS	1
4	grease fitting	40158ST	1
5	label	40167AL	1
6	wave spring	40246SS	1
7	nose piece	40247HC	1
8	poppet	40248CA	1
9	bent link	40249SS	2
10	drive link	40250SS	1
11	clevis pin	40251SS	2
12	stem	40252SS	1
13	stem spacer	40253AL	1
14	lever (handle)	40254SS	1
15	interlock pin	40255SS	1
16	compression spring	40256SS	1
17	retaining ring	40257ST	1
18	compression spring	40258SS	3
19	eyelet	40259BR	3
20	spring pin	40260SS	1
21	lock ring	40261SS	1
22	bayonet stud	40262SS	3
23	lock washer	40263SS	3
24	nut	40264SS	3
25	bearing strip	40265NY	1
26	dust seal	40266FL	1
27	ball bearings	40267SS	27
28	ball plug	40268BR	1
29	bumper ring	40269VY	1
30	grip handle	40270SS	2
31	bolt	40271SS	4
32	lock nut	40272SS	4
33A	Buna nose seal	40273BN	1
33B	FKM nose seal	40273VI	1
34A	Buna nose body O-ring	40274BN	1
34B	FKM nose body O-ring	40274VI	2
35A	Buna stem O-ring	40275BN	1
35B	FKM stem O-ring	40275VI	1
36A	Buna quad ring	40276BN	1
36B	FKM quad ring	40276VI	1
37	main body	---	1
38	swivel body	---	1

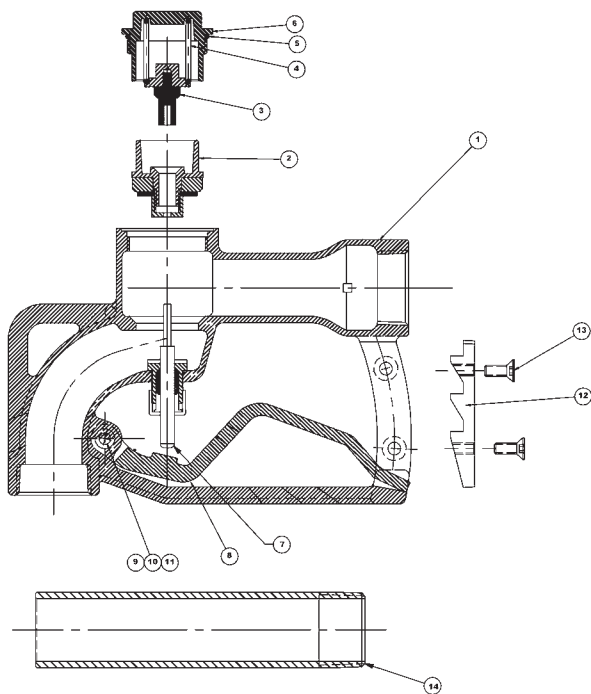
#### Repair Kits

Part #	Description	Includes Item #
BS61-300RK1	seal repair kit, Buna nose seal, spring pin, Buna swivel O-rings, Buna stem O-ring, Buna nose body O-ring, cotter pin, bearing strip and bumper ring	1, 2, 25, 29, 33A, 34A, 35A
BS62-300RK1	seal repair kit, FKM nose seal, spring pin, FKM swivel O-rings, FKM stem O-ring, FKM nose body O-ring, cotter pin, bearing strip and bumper ring	1, 2, 25, 26, 29, 33B, 34B, 35B, 36B
BS61-300RK2	swivel seal repair kit, Buna swivel O-rings and bearing strip	25, 26, 36A
BS62-300RK2	swivel seal repair kit, FKM swivel O-rings and bearing strip	25, 26, 36B

Product instruction sheets and technical data can be viewed on our website at  
dixonvalve.com

# Fuel Nozzles

## 112D and 112DNS (1½") Bulk Delivery Nozzles



### Bill of Materials

Item #	Description	Part #	Qty
1	body	---	1
2	main poppet assembly	use kit <b>112DSK</b>	1
3	secondary poppet assembly	use kit <b>112DSK</b>	1
4	poppet spring	<b>SPRG-L368</b>	1
5	Buna cap O-ring	<b>O-RING#132</b>	1
6	bronze cap	<b>112DAL-9</b>	1
7	valve stem assembly	use kit <b>112DSK</b>	1
8	trigger	use kit <b>114/2D-TK</b>	1
9	trigger bushing	<b>114DAL-10</b>	1
10	trigger pin	<b>PIN-L389-SS</b>	1
11	trigger cotter pin	<b>110746</b>	1
12	ratchet plate	<b>340164</b>	1
13	ratchet plate screws	<b>110798</b>	2
14	spout	<b>1125A</b>	1

### Repair Kits

Part #	Description	Includes Item #
<b>112DSK</b>	main poppet, 2nd poppet, cap O-ring, valve stem	2, 3, 5, 7
<b>1125A</b>	1½" aluminum spout	14
<b>1125B</b>	1½" brass spout (optional)	---
<b>114/2D-TK</b>	trigger, pin, cotter pin, bushing	8, 9, 10, 11
<b>114DAL-AV-19</b>	blank plate to replace ratchet plate if ratchet not required (optional)	---



# Fuel Nozzles

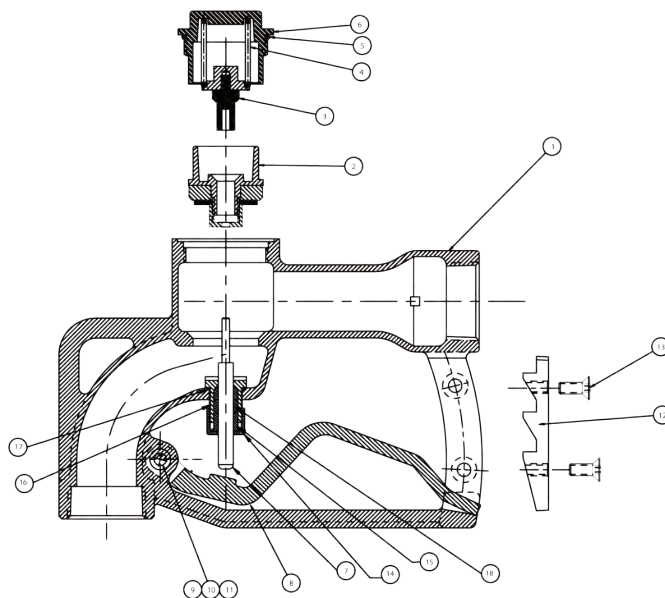
## 114D and 114DNS (1¼") Bulk Delivery Nozzles

### Bill of Materials

Item #	Description	Part #	Qty
1	body	---	1
2	main poppet assembly	use kit <b>114DSK</b>	1
3	secondary poppet assembly	use kit <b>114DSK</b>	1
4	poppet spring	<b>SPRG-L368</b>	1
5	Buna cap O-ring	<b>O-RING-AS-129</b>	1
6	bronze cap	<b>114DAL-2</b>	1
7	valve stem assembly	use kit <b>114DSK</b>	1
8	trigger	use kit <b>114/2D-TK</b>	1
9	trigger bushing	<b>114DAL-10</b>	1
10	trigger pin	<b>PIN-L389-SS</b>	1
11	trigger cotter pin	<b>110746</b>	1
12	ratchet plate	<b>340164</b>	1
13	ratchet plate screws	<b>110798</b>	2
14	aluminum spout	<b>1143A</b>	1
15	sleeve stem packing	<b>SLVL358-1</b>	1
16	valve stem guide & O-ring	use kit <b>114DSK</b>	1
17	valve stem O-ring	<b>O-RING-AS016</b>	1
18	valve stem packing	<b>STEMPACK-L360</b>	2
19	valve stem nut	<b>NUTL357-1</b>	1

### Repair Kits

Part #	Description	Includes Item #
<b>114DSK</b>	main and secondary poppets, cap O-ring, valve stem assembly and packing, sleeve stem packing and nut	2, 3, 5, 7, 15, 16, 17, 18, 19
<b>114/2D-TK</b>	replacement trigger, pin, bushing & cotter pin	8, 9, 10, 11
<b>1143A</b>	replacement aluminum spout	14
<b>1143B</b>	optional brass spout	replaces 14
<b>114DAL-AV-19</b>	optional blank plate to replace ratchet plate, if ratchet not desired	replaces 12

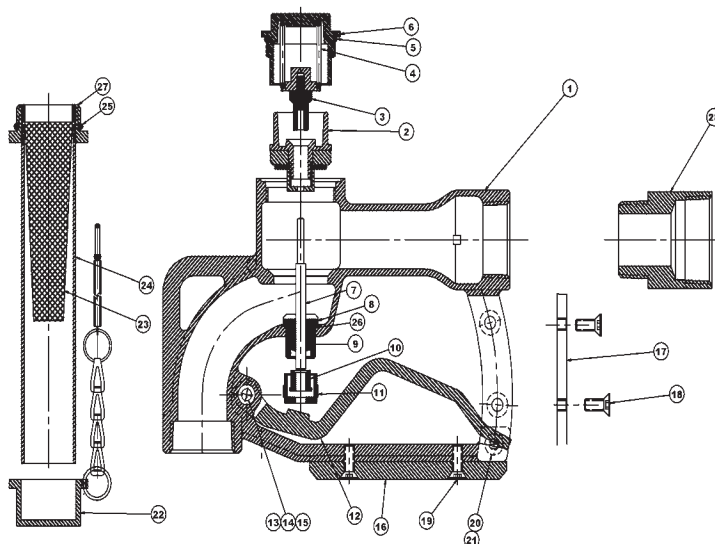


**Petroleum**  
**Replacement Parts**

Product instruction sheets and technical data can be viewed on our website at [dixonvalve.com](http://dixonvalve.com)

# Fuel Nozzles

## 114D-AV Aircraft Over Wing Nozzles



### Bill of Materials

Item #	Description	Part #	Qty
1	body	---	1
2	main poppet assembly	use kit <b>114DAV-SK</b>	1
3	second poppet assembly	use kit <b>114DAV-SK</b>	1
4	poppet spring	<b>SPRG-L368</b>	1
5	Buna cap O-ring	<b>O-RING-AS-129</b>	1
6	bronze cap	<b>114DAL-4</b>	1
7	valve stem	<b>114DAL-3</b>	1
8	valve stem guide & O-ring	use kit <b>114DAV-SK</b>	1
9	valve stem packing	<b>STEMPACK-L360</b>	2
10	sleeve stem packing	<b>SLV358-1</b>	1
11	valve stem nut	<b>NUTL357-1</b>	1
12	trigger	use kit <b>114/2D-TK</b>	1
13	trigger bushing	<b>114DAL-10</b>	1
14	trigger pin	<b>PIN-L389-SS</b>	1
15	cotter pin	<b>110746</b>	1
16	base plate	<b>110088</b>	1
17	trigger spacer	<b>114DAL-AV-19</b>	1
18	trigger spacer screws	<b>110798</b>	2
19	base plate screws	<b>100AV-15</b>	2
20	ground screw	<b>407119</b>	1
21	ground screw lock washer	<b>100AV-17</b>	1
22	spout cap	<b>114DAL-AV-22</b>	1
23A	1" spout filter screen (114DAVR)	<b>100AV-12</b>	1
23B	1¼" spout filter screen (114D-AV, 114D-AV-06ASM)	<b>114DAL-AV-20</b>	1
24A	1" spout (114DAVR)	use kit <b>114DAL-AV-25</b>	1
24B	1¼" spout (114D-AV, 114D-AV-06ASM)	use kit <b>114DAL-AV-16</b>	1
25A	1" spout O-ring (114DAVR)	use kit <b>114DAL-AV-25</b>	1
25B	1¼" spout O-ring(114D-AV, 114D-AV-06ASM)	use kit <b>114DAL-AV-16</b>	1
26	valve stem guide O-ring	<b>O-RING-AS016</b>	1
27A	1" spout adapter (114DAVR)	use kit <b>114DAL-AV-25</b>	1
27B	1¼" spout adapter (114D-AV, 114D-AV-06ASM)	use kit <b>114DAL-AV-16</b>	1
28	1½" inlet expander (114D-AV-06ASM)	<b>340165</b>	1

### Repair Kits

Part #	Description	Includes Item #
<b>114/2D-TK</b>	trigger, bushing, pin and cotter pin	12, 13, 14, 15
<b>114DAV-SK</b>	main and secondary poppet assemblies, cap O-ring and valve stem assembly	2, 3, 5, 8
<b>114DAL-AV-25</b>	1" spout assembly (114DAVR)	24A, 25A, 27A
<b>114DAL-AV-16</b>	1¼" spout assembly (114D-AV, 114D-AV-06ASM)	24B, 25B, 27B

Product instruction sheets and technical data can be viewed on our website at [dixonvalve.com](http://dixonvalve.com)

# Fuel Nozzles

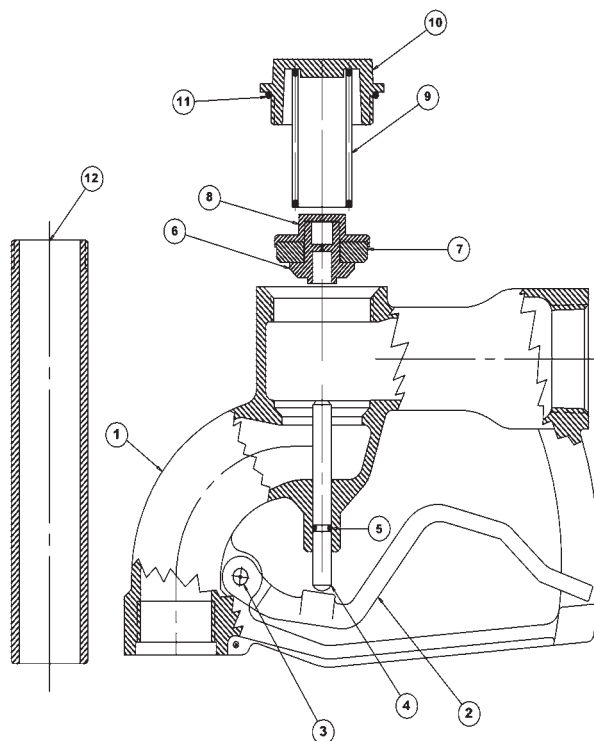
## 1250-94 Series Gravity Nozzles

### Bill of Materials

Item #	Description	Part #	Qty
1	body	---	1
2	trigger	use kit <b>1250TK</b>	1
3	trigger pin	use kit <b>1250TK</b>	1
4	valve stem plunger	use kit <b>1250SK</b>	1
5	plunger O-ring	<b>500-7A2</b>	1
6	valve base	use kit <b>1250SK</b>	1
7	valve seal	use kit <b>1250SK</b>	1
8	valve plate	use kit <b>1250SK</b>	1
9	valve spring	<b>SPRG-L368</b>	1
10	aluminum cap	<b>1250-2</b>	1
11	Buna O-ring cap	<b>O-RING#132</b>	1
12	aluminum spout	<b>1250-3</b>	1

### Repair Kits

Part #	Description	Includes Item #
<b>1250TK</b>	trigger, pin	2, 3
<b>1250SK</b>	plunger, O-rings, valve seal, valve base, valve plate	4, 5, 6, 7, 8, 11



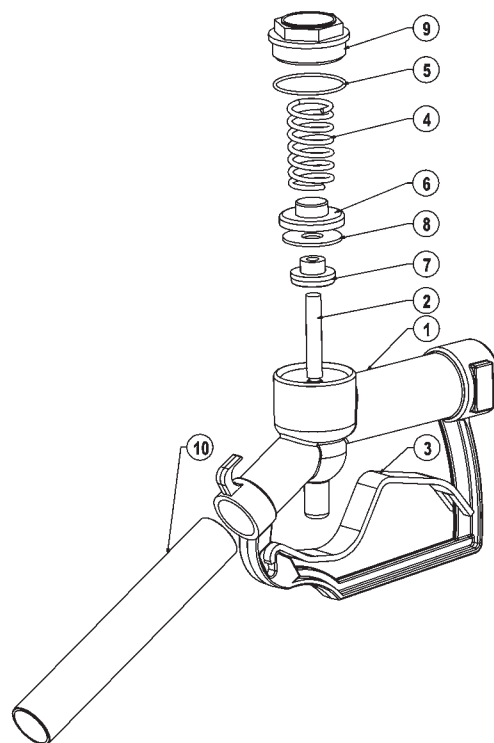
## 900 Series Utility Nozzles

### Bill of Materials

Item #	Description	Part #	Qty
1	body	---	1
2	plunger	use kit <b>900SK</b>	1
3	trigger	<b>900TK</b>	1
4	valve spring	<b>SPRG-972</b>	1
5	cap O-ring	<b>112099</b>	1
6	holder valve gasket	use kit <b>900SK</b>	1
7	holder button gasket	use kit <b>900SK</b>	1
8	valve seal	use kit <b>900SK</b>	1
9	cap	<b>875-3</b>	1
10A	1" spout	<b>875-4</b>	1
10B	3/4" spout	<b>234-80-4</b>	1
10C	1" bent spout	<b>875-5</b>	1
10D	3/4" bent spout	<b>234-80-5</b>	1
not illustrated	3/4" FNPT inlet reducer	<b>900RB</b>	1

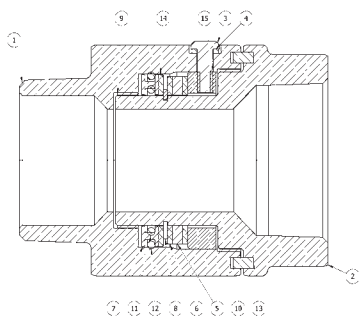
### Repair Kits

Part #	Description	Includes Item #
<b>900TK</b>	trigger	3
<b>900SK</b>	plunger assembly, valve assembly, cap O-ring	2, 4, 5, 6, 7, 8, 9

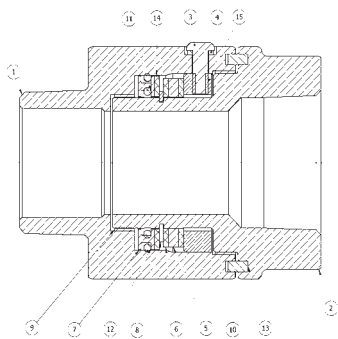


# Fuel Nozzles

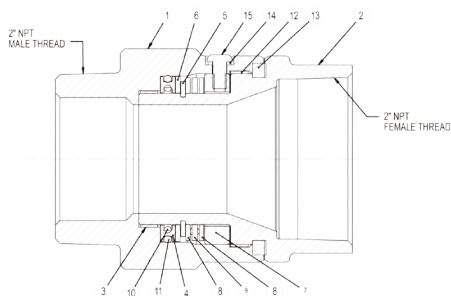
## SWMF125, SWMF150 and SWMF200 Swivels



SWMF150



SWMF125



SWMF200

### Bill of Materials SWMF125 & SWMF150

Item #	Description	Part #	Qty
1	female body	---	1
2	male body	---	1
3	screw	use kit <b>SWMF-RK2</b>	3
4	lock washer	use kit <b>SWMF-RK2</b>	3
5	thrust bearing	use kit <b>SWMF-RK3</b>	1
6	thrust washer	use kit <b>SWMF-RK3</b>	2
7	O-ring holder	use kit <b>SWMF-RK2</b> or <b>SWMF-RK3</b>	1
8	retaining ring	use kit <b>SWMF-RK3</b>	1
9	front bearing	use kit <b>SWMF-RK2</b> or <b>SWMF-RK3</b>	1
10	rear bearing	use kit <b>SWMF-RK2</b> or <b>SWMF-RK3</b>	1
11	O-ring	use kit <b>SWMF-RK2</b> or <b>SWMF-RK3</b>	1
12	O-ring	use kit <b>SWMF-RK2</b> or <b>SWMF-RK3</b>	1
13	felt ring	use kit <b>SWMF-RK2</b> or <b>SWMF-RK3</b>	1
14	support washer	use kit <b>SWMF-RK3</b>	1
15	support ring	use kit <b>SWMF-RK3</b>	1

### Bill of Materials SWMF200

Item #	Description	Part #	Qty
1	female body	---	1
2	male body	---	1
3	front bearing	use kit <b>SWMF-RK22</b> or <b>SWMFRK32</b>	3
4	O-ring holder	use kit <b>SWMF-RK22</b> or <b>SWMFRK32</b>	3
5	retaining ring	use kit <b>SWMF-RK32</b>	1
6	support washer	use kit <b>SWMF-RK32</b>	1
7	support ring	use kit <b>SWMF-RK32</b>	1
8	thrust washer	use kit <b>SWMF-RK32</b>	2
9	thrust bearing	use kit <b>SWMF-RK32</b>	1
10	O-ring	use kit <b>SWMF-RK22</b> or <b>SWMFRK32</b>	1
11	large O-ring	use kit <b>SWMF-RK22</b> or <b>SWMFRK32</b>	1
12	rear bearing	use kit <b>SWMF-RK22</b> or <b>SWMFRK32</b>	1
13	felt ring	use kit <b>SWMF-RK22</b> or <b>SWMFRK32</b>	1
14	lock washer	use kit <b>SWMF-RK32</b>	3
15	screw	use kit <b>SWMF-RK32</b>	3

### Repair Kits

Part #	Description	Includes Item #
<b>SWMF-RK1</b>	swivel grease nipple kit	---
<b>SWMF-RK2</b>	swivel seal and wear kit	3, 4, 7, 9, 10, 11, 12, 13
<b>SWMF-RK3</b>	complete swivel rebuild kit	3, 4, 5, 6, 7, 8, 9, 10, 11, 12, 13, 14, 15
<b>SWMF-RK22</b>	swivel seal and wear kit	3, 4, 10, 11, 12, 13
<b>SWMF-RK32</b>	complete rebuild kit	3, 4, 5, 6, 7, 8, 9, 10, 11, 12, 13, 14, 15

Petroleum Replacement Parts

# Fuel Nozzles

## Hose Shank and Check Valve Swivels

### Check Valve NPT Swivel

- 1280** – 1¼" MNPT x 1¼" FNPT
- 1580U** - 1½" MNPT x 1½" FNPT
- 1580R** - 1¼" MNPT x 1½" FNPT



### Hose x MNPT Swivel

- 1265** – 1¼" MNPT x 1¼" hose shank
- 1565U** - 1½" MNPT x 1½" hose shank
- 1570** - 1½" MNPT x 1⅜" hose shank

### Repair Kits

Part #	Description
<b>1200SK</b>	replacement seal kit & retaining ring for 1280, 1265 and 1580R
<b>1500SK</b>	replacement seal kit & retaining ring for 1565U, 1580U
<b>1570RK</b>	replacement seal kit and retaining ring for 1570



## 500AV and 525AV Angle Valves

### Repair Kit

Part #	Description
<b>500K</b>	replacement stem guide assembly, plunger assembly, O-ring and cotter pin



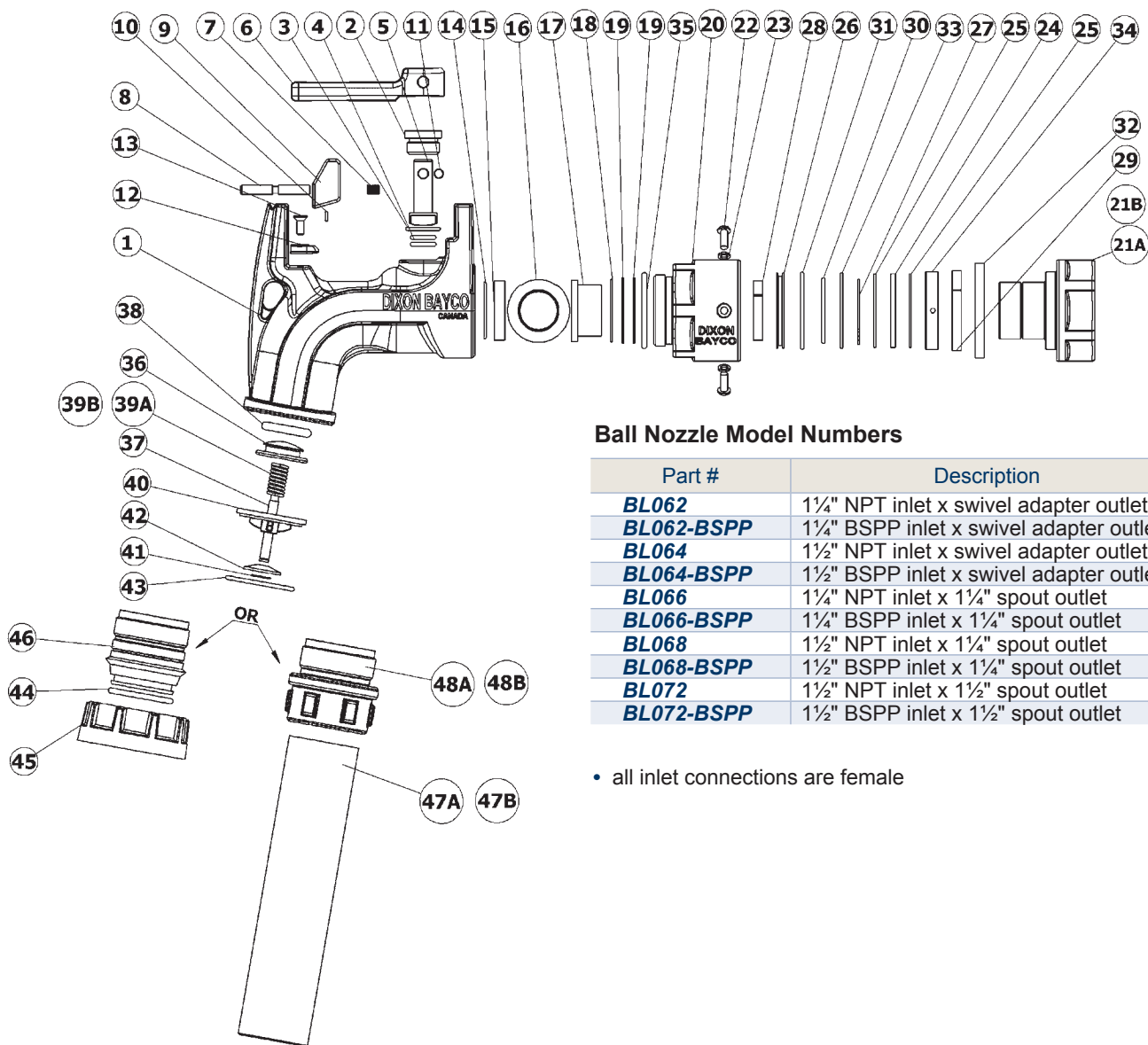
Petroleum Replacement Parts

Product instruction sheets and technical data can be viewed on our website at [dixonvalve.com](http://dixonvalve.com)



# Fuel Nozzles

## BL Ball Nozzles



### Ball Nozzle Model Numbers

Part #	Description
<b>BL062</b>	1/4" NPT inlet x swivel adapter outlet
<b>BL062-BSPP</b>	1/4" BSPP inlet x swivel adapter outlet
<b>BL064</b>	1/2" NPT inlet x swivel adapter outlet
<b>BL064-BSPP</b>	1/2" BSPP inlet x swivel adapter outlet
<b>BL066</b>	1/4" NPT inlet x 1/4" spout outlet
<b>BL066-BSPP</b>	1/4" BSPP inlet x 1/4" spout outlet
<b>BL068</b>	1/2" NPT inlet x 1/4" spout outlet
<b>BL068-BSPP</b>	1/2" BSPP inlet x 1/4" spout outlet
<b>BL072</b>	1/2" NPT inlet x 1/2" spout outlet
<b>BL072-BSPP</b>	1/2" BSPP inlet x 1/2" spout outlet

- all inlet connections are female

Petroleum Replacement Parts

### Repair Kits

Part #	Description	Includes Item #
<b>SWMF-RK1</b>	inlet swivel grease nipple kit (optional)	not illustrated
<b>SWMF-RK2</b>	inlet swivel seal and wear kit	22, 23, 26, 28, 29, 30, 31, 32
<b>SWMF-RK3</b>	complete inlet swivel rebuild kit	22, 23, 24, 25, 26, 27, 28, 29, 30, 31, 32, 33, 34
<b>SWMF-RK4</b>	1/2" FNPT replacement inlet swivel	20, 21B, 22(3), 23(3), 24, 25(2), 26, 27, 28, 29, 30, 31, 32, 33, 34, 35
<b>SWMF-RK5</b>	1/4" FNPT replacement inlet swivel	20, 21A, 22(3), 23(3), 24, 25(2), 26, 27, 28, 29, 30, 31, 32, 33, 34, 35
<b>SWMF-RK6</b>	1/2" BSPP replacement inlet swivel	20, 21C, 22(3), 23(3), 24, 25(2), 26, 27, 28, 29, 30, 31, 32, 33, 34, 35
<b>BL005</b>	replacement swivel outlet (BL062, BL064)	43, 44, 45, 46
<b>BL-RK4</b>	ball valve shaft seal kit	2, 3, 4, 5
<b>BL-RK10</b>	complete ball nozzle seal kit	3, 4, 14, 15, 17, 35, 38, 43, 44
<b>BL-RK11</b>	optional check valve 5 PSI spring kit	39B, 43
<b>BL-RK12</b>	standard check valve 3 PSI cartridge kit	36, 37, 38, 39a, 40, 41, 42, 43
<b>BL-RK13</b>	replacement trigger kit	6, 7, 8, 9, 10, 11, 12, 13(2)

Product instruction sheets and technical data can be viewed on our website at [dixonvalve.com](http://dixonvalve.com)

# Fuel Nozzles

## BL Ball Nozzles

### Bill of Materials

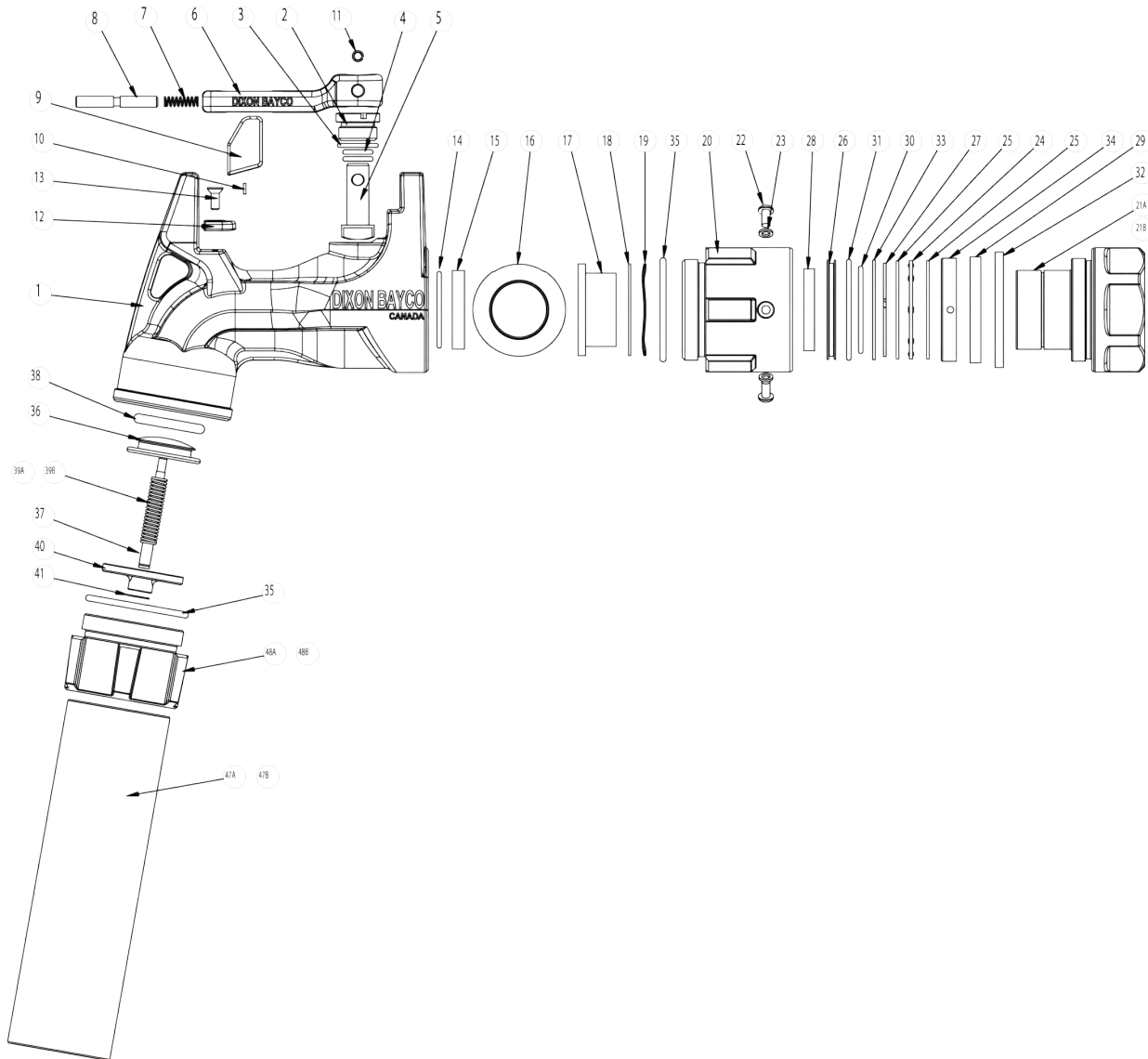
Item #	Description	Part #	Qty
1	body	---	1
2	bronze guide shaft	use kit <b>BL-RK4</b>	1
3	O-ring	use kit <b>BL-RK4</b> or <b>BL-RK10</b>	1
4	O-ring	use kit <b>BL-RK4</b> or <b>BL-RK10</b>	2
5	shaft lever	use kit <b>BL-RK4</b>	1
6	lever	use kit <b>BL-RK13</b>	1
7	compression spring	use kit <b>BL-RK13</b>	1
8	shaft latch	use kit <b>BL-RK13</b>	1
9	latch	use kit <b>BL-RK13</b>	1
10	screw	use kit <b>BL-RK13</b>	1
11	pin	use kit <b>BL-RK13</b>	1
12	lever plate	use kit <b>BL-RK13</b>	1
13	screw	use kit <b>BL-RK13</b>	2
14	O-ring	use kit <b>BL-RK10</b>	1
15	seal	use kit <b>BL-RK10</b>	1
16	ball	<b>BL062-2</b>	1
17	ball seat	use kit <b>BL-RK10</b>	1
18	washer	<b>111719</b>	1
19	wave spring	<b>110902</b>	2
20	swivel body	use kit <b>SWMF-RK4, SWMF-RK5</b> or <b>SWMF-RK6</b>	1
21A	swivel inlet 1¼" NPT	use kit <b>SWMF-RK5</b>	1
21B	swivel inlet 1½" NPT	use kit <b>SWMF-RK4</b>	1
21C	swivel inlet 1½" BSPP	use kit <b>SWMF-RK6</b>	1
22	screw	use kit <b>SWMF-RK2, SWMF-RK3, SWMF-RK4, SWMF-RK5</b> or <b>SWMF-RK6</b>	3
23	lock washer	use kit <b>SWMF-RK2, SWMF-RK3, SWMF-RK4, SWMF-RK5</b> or <b>SWMF-RK6</b>	3
24	thrust bearing	use kit <b>SWMF-RK3, SWMF-RK4, SWMF-RK5</b> or <b>SWMF-RK6</b>	1
25	thrust washer	use kit <b>SWMF-RK3, SWMF-RK4, SWMF-RK5</b> or <b>SWMF-RK6</b>	2
26	O-ring holder	use kit <b>SWMF-RK2, SWMF-RK3, SWMF-RK4, SWMF-RK5</b> or <b>SWMF-RK6</b>	1
27	retaining ring	use kit <b>SWMF-RK3, SWMF-RK4, SWMF-RK5</b> or <b>SWMF-RK6</b>	1
28	font bearing	use kit <b>SWMF-RK2, SWMF-RK3, SWMF-RK4, SWMF-RK5</b> or <b>SWMF-RK6</b>	1
29	rear bearing	use kit <b>SWMF-RK2, SWMF-RK3, SWMF-RK4, SWMF-RK5</b> or <b>SWMF-RK6</b>	1
30	O-ring	use kit <b>SWMF-RK2, SWMF-RK3, SWMF-RK4, SWMF-RK5</b> or <b>SWMF-RK6</b>	1
31	O-ring	use kit <b>SWMF-RK2, SWMF-RK3, SWMF-RK4, SWMF-RK5</b> or <b>SWMF-RK6</b>	1
32	dust seal	use kit <b>SWMF-RK2, SWMF-RK3, SWMF-RK4, SWMF-RK5</b> or <b>SWMF-RK6</b>	1
33	support washer	use kit <b>SWMF-RK3, SWMF-RK4, SWMF-RK5</b> or <b>SWMF-RK6</b>	1
34	support ring	use kit <b>SWMF-RK3, SWMF-RK4, SWMF-RK5</b> or <b>SWMF-RK6</b>	1
35	O-ring	use kit <b>SWMF-RK4, SWMF-RK5</b> or <b>SWMF-RK6</b>	1
36	poppet	use kit <b>BL-RK12</b>	1
37	stem	use kit <b>BL-RK12</b>	1
38	O-ring	use kit <b>BL-RK10</b> or <b>BL-RK12</b>	1
39A	compression spring (3 PSI)	use kit <b>BL-RK12</b>	1
39B	compression spring (5 PSI)	use kit <b>BL-RK11</b>	1
40	bridge	use kit <b>BL-RK12</b>	1
41	retaining ring	use kit <b>BL-RK12</b>	1
42	washer	use kit <b>BL005, BL-RK10, BL-RK11</b> or <b>BL-RK12</b>	1
43	O-ring	use kit <b>BL005, BL-RK10</b> or <b>BL-RK12</b>	1
44	O-ring	use kit <b>BL005</b>	1
45	swivel nut	use kit <b>BL005</b>	1
46	swivel adapter	use kit <b>BL005</b>	1
47A	spout 1¼"	<b>1143A</b>	1
47B	spout 1½"	<b>1125A</b>	1
48A	spout adapter 1¼" NPT	<b>341703</b>	1
48B	spout adapter 1½" NPT	<b>BL007</b>	1

Product instruction sheets and technical data can be viewed on our website at  
[dixonvalve.com](http://dixonvalve.com)

# Fuel Nozzles

## BL Super Ball Nozzles

BL918, BL919 & BL920



Petroleum  
Replacement Parts

### Repair Kits

Part #	Description	Includes Item #
<b>SWMF-RK1</b>	inlet swivel grease nipple kit (optional)	not illustrated
<b>SWMF-RK22</b>	inlet swivel seal and wear kit	22, 23, 26, 28, 29, 30, 31, 32
<b>SWMF-RK32</b>	complete inlet swivel rebuild kit	22, 23, 24, 25, 26, 27, 28, 29, 30, 31, 32, 33, 34
<b>SWMF-RK42</b>	2" FNPT replacement inlet swivel	20, 21A, 22(3), 23(3), 24, 25(2), 26, 27, 28, 29, 30, 31, 32, 33, 34, 35
<b>SWMF-RK52</b>	1½" FNPT replacement inlet swivel	20, 21B, 22(3), 23(3), 24, 25(2), 26, 27, 28, 29, 30, 31, 32, 33, 34, 35
<b>BL-RK42</b>	ball valve shaft seal kit	2, 3, 4, 5
<b>BL-RK102</b>	complete ball nozzle seal kit	3, 4, 14, 15, 17, 35, 38
<b>BL-RK112</b>	optional check valve 5 PSI spring kit	35, 39B
<b>BL-RK122</b>	standard check valve 3 PSI cartridge kit	35, 36, 37, 38, 39a, 40, 41
<b>BL-RK13</b>	replacement trigger kit	6, 7, 8, 9, 10, 11, 12, 13(2)

Product instruction sheets and technical data can be viewed on our website at [dixonvalve.com](http://dixonvalve.com)

# Fuel Nozzles

## BL Super Ball Nozzles

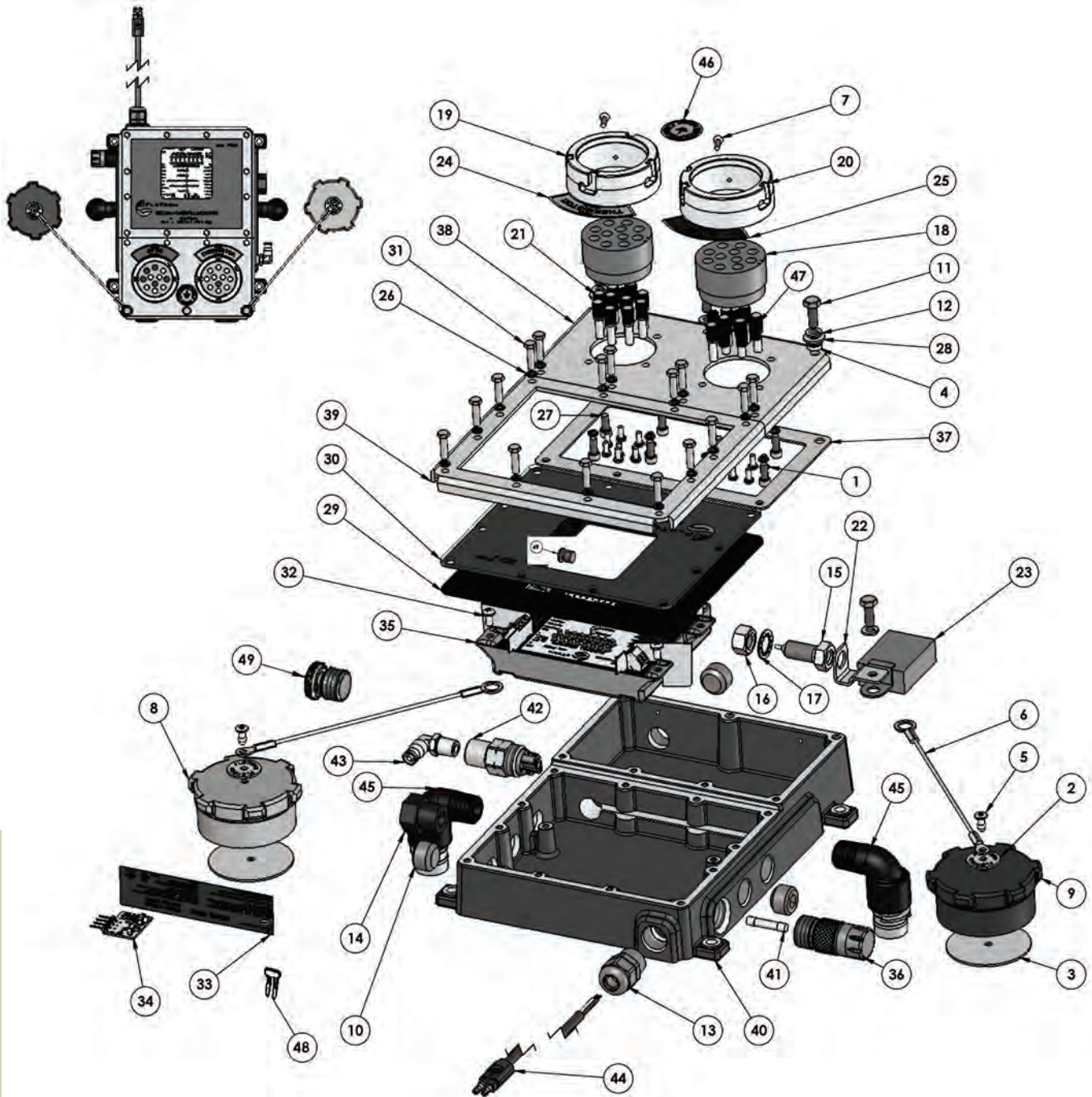
### Bill of Materials

Item #	Description	Part #	Qty
1	body	---	1
2	bronze guide shaft	use kit <b>BL-RK42</b>	1
3	O-ring	use kit <b>BL-RK42</b> or <b>BL-RK102</b> (includes item 35)	2
4	O-ring	use kit <b>BL-RK42</b> or <b>BL-RK102</b> (includes item 35)	1
5	shaft lever	use kit <b>BL-RK42</b>	1
6	lever	use kit <b>BL-RK13</b>	1
7	compression spring	use kit <b>BL-RK13</b>	1
8	shaft latch	use kit <b>BL-RK13</b>	1
9	latch	use kit <b>BL-RK13</b>	1
10	screw	use kit <b>BL-RK13</b>	1
11	pin	use kit <b>BL-RK13</b>	1
12	lever plate	use kit <b>BL-RK13</b>	1
13	screw	use kit <b>BL-RK13</b>	2
14	O-ring	use kit <b>BL-RK102</b>	1
15	seal	use kit <b>BL-RK102</b>	1
16	ball	<b>112091</b>	1
17	ball seat	use kit <b>BL-RK102</b>	1
18	washer	<b>112092</b>	1
19	wave spring	<b>112090</b>	2
20	swivel body	use kit <b>SWMF-RK42</b> or <b>SWMF-RK52</b>	1
21A/B	swivel inlet	use kit <b>SWMF-RK42</b> or <b>SWMF-RK52</b>	1
22	screw	use kit <b>SWMF-RK22</b> , <b>SWMF-RK42</b> or <b>SWMF-RK52</b>	3
23	lock washer	use kit <b>SWMF-RK22</b> , <b>SWMF-RK42</b> or <b>SWMF-RK52</b>	3
24	thrust bearing	use kit <b>SWMF-RK42</b> or <b>SWMF-RK52</b>	1
25	thrust washer	use kit <b>SWMF-RK42</b> or <b>SWMF-RK52</b>	2
26	O-ring holder	use kit <b>SWMF-RK22</b> , <b>SWMF-RK32</b> , <b>SWMF-RK42</b> or <b>SWMF-RK52</b>	1
27	retaining ring	use kit <b>SWMF-RK32</b> (includes items 22,23, 24, 25, 33, 34), <b>SWMF-RK42</b> or <b>SWMF-RK52</b>	1
28	front bearing	use kit <b>SWMF-RK22</b> , <b>SWMF-RK32</b> , <b>SWMF-RK42</b> or <b>SWMF-RK52</b>	1
29	rear bearing	use kit <b>SWMF-RK22</b> , <b>SWMF-RK32</b> , <b>SWMF-RK42</b> or <b>SWMF-RK52</b>	1
30	O-ring	use kit <b>SWMF-RK22</b> , <b>SWMF-RK32</b> , <b>SWMF-RK42</b> or <b>SWMF-RK52</b>	1
31	O-ring	use kit <b>SWMF-RK22</b> , <b>SWMF-RK32</b> , <b>SWMF-RK42</b> or <b>SWMF-RK52</b>	1
32	dust seal	use kit <b>SWMF-RK22</b> , <b>SWMF-RK32</b> , <b>SWMF-RK42</b> or <b>SWMF-RK52</b>	1
33	support washer	use kit <b>SWMF-RK42</b> or <b>SWMF-RK52</b>	1
34	support ring	use kit <b>SWMF-RK42</b> or <b>SWMF-RK52</b>	1
35	O-ring	use kit <b>SWMF-RK42</b> or <b>SWMF-RK52</b>	1
36	poppet	use kit <b>BL-RK122</b>	1
37	stem	use kit <b>BL-RK122</b>	1
38	O-ring	use kit <b>BL-RK102</b> (includes item 35) or <b>BL-RK122</b>	1
39A/B	compression spring	use kit <b>BL-RK112</b> or <b>BL-RK122</b>	1
40	bridge	use kit <b>BL-RK122</b>	1
41	retaining ring	use kit <b>BL-RK122</b>	1
47A/47B	spout	<b>391137</b> (2") / <b>1125A</b> (1½")	1
48A/48B	spout adapter	<b>341780</b> (NPT) / <b>341781</b> (BSPP)	1



# Fuel Tanker Overfill Detection

## FT208 - 39xP Series Plug-n-Play Monitors with Integrated Dual Sockets



Overfill Replacement Parts

Product instruction sheets and technical data can be viewed on our website at [dixonvalve.com](http://dixonvalve.com)



# Fuel Tanker Overfill Detection

## Plug-n-Play Monitors with Integrated Dual Sockets

Bill of Materials			Quantity of Components Per Unit																								
Item #	Description	Part #	FT208-390P	FT208-390PG	FT208-390PGS	FT208-390PGSO	FT208-390PGST	FT208-390PGSSTO	FT208-390PGT	FT208-390PP	FT208-390PPG	FT208-390PPGS	FT208-390PPGSO	FT208-390PPGST	FT208-390PPGSTO	FT208-390PPGT	FT208-391P	FT208-391PG	FT208-391PGS	FT208-391PGST	FT208-391PGT	FT208-391PP	FT208-391PPG	FT208-391PPGS	FT208-391PPGST	FT208-391PPGT	
1	stainless steel screw	10086	16	16	16	16	16	16	16	16	16	16	16	16	16	16	16	16	16	16	16	16	16	16	16	16	16
2	aluminum name plate - socket washer	use kit FT320 or FT321	2	2	2	2	2	2	2	2	2	2	2	2	2	2	2	2	2	2	2	2	2	2	2	2	2
3	aluminum washer 2.500 x .0625	use kit FT320 or FT321	2	2	2	2	2	2	2	2	2	2	2	2	2	2	2	2	2	2	2	2	2	2	2	2	2
4	stainless steel spacer	10089	2	2	2	2	2	2	2	2	2	2	2	2	2	2	2	2	2	2	2	2	2	2	2	2	2
5	aluminum rivet .1875	use kit FT320 or FT321	2	2	2	2	2	2	2	2	2	2	2	2	2	2	2	2	2	2	2	2	2	2	2	2	2
6	stainless steel cable - socket 8"	use kit FT320 or FT321	2	2	2	2	2	2	2	2	2	2	2	2	2	2	2	2	2	2	2	2	2	2	2	2	2
7	stainless steel screw - contact block	10094	2	2	2	2	2	2	2	2	2	2	2	2	2	2	2	2	2	2	2	2	2	2	2	2	2
8	vinyl dust cap - thermistor (green)	use kit FT321	1	1	1	1	1	1	1	1	1	1	1	1	1	1	1	1	1	1	1	1	1	1	1	1	1
9	vinyl dust cap - optic (blue)	use kit FT320	1	1	1	1	1	1	1	1	1	1	1	1	1	1	1	1	1	1	1	1	1	1	1	1	1
10	polypropylene pipe plug	10103	4	4	4	4	4	4	4	3	3	3	3	3	3	3	4	4	4	4	4	3	3	3	3	3	3
11	stainless steel screw	10110	4	4	4	4	4	4	4	4	4	4	4	4	4	4	4	4	4	4	4	4	4	4	4	4	4
12	stainless steel lock washer	10111	4	4	4	4	4	4	4	4	4	4	4	4	4	4	4	4	4	4	4	4	4	4	4	4	4
13	polyamide strain relief	10139	n/a	n/a	n/a	1	n/a	1	n/a	n/a	n/a	n/a	1	n/a	1	n/a	n/a	n/a	n/a	n/a	n/a	n/a	n/a	n/a	n/a	n/a	n/a
14	reset switch assy	10200A	1	1	1	1	1	1	1	1	1	1	1	1	1	1	1	1	1	1	1	1	1	1	1	1	1
15	ground wire assembly	10735-002	n/a	1	1	1	1	1	1	n/a	1	1	n/a	1	1	1	n/a	1	1	1	1	n/a	1	1	1	1	1
16	ground wire assembly	10735-002	n/a	1	1	1	1	1	1	n/a	1	1	n/a	1	1	1	n/a	1	1	1	1	n/a	1	1	1	1	1
17	ground wire assembly	10735-002	n/a	1	1	1	1	1	1	n/a	1	1	n/a	1	1	1	n/a	1	1	1	1	n/a	1	1	1	1	1
18	plastic contact block - socket short	10254	2	2	2	2	2	2	2	2	2	2	2	2	2	2	2	2	2	2	2	2	2	2	2	2	2
19	stainless steel ring 4 J slots	10366SS-001 (was FT9044)	1	1	1	1	1	1	1	1	1	1	1	1	1	1	2	2	2	2	2	2	2	2	2	2	2
20	stainless steel ring 3 J slots	10366SS-002 (was FT9043)	1	1	1	1	1	1	1	1	1	1	1	1	1	1	n/a	n/a	n/a	n/a	n/a	n/a	n/a	n/a	n/a	n/a	n/a
21	stainless steel socket pin - short	10368SS (was FT9061)	16	16	16	16	16	16	16	16	16	16	16	16	16	16	16	16	16	16	16	16	16	16	16	16	16
22	ground wire assembly	10735-002	n/a	1	1	1	1	1	1	n/a	1	1	n/a	1	1	1	n/a	1	1	1	1	n/a	1	1	1	1	1
23	T.I.M. module	10372	n/a	n/a	n/a	n/a	1	1	1	n/a	n/a	n/a	n/a	1	1	1	n/a	n/a	n/a	n/a	1	1	n/a	n/a	1	1	1
24	aluminum name plate - thermistor	10373AL	1	1	1	1	1	1	1	1	1	1	1	1	1	1	1	1	1	1	1	1	1	1	1	1	1
25	aluminum name plate - optic	10374AL	1	1	1	1	1	1	1	1	1	1	1	1	1	1	1	1	1	1	1	1	1	1	1	1	1
26	stainless steel lock washer	10375SS	24	24	24	24	24	24	24	24	24	24	24	24	24	24	24	24	24	24	24	24	24	24	24	24	24
27	stainless steel screw	10376SS	8	8	8	8	8	8	8	8	8	8	8	8	8	8	8	8	8	8	8	8	8	8	8	8	8
28	stainless steel washer	10382SS	2	2	2	2	2	2	2	2	2	2	2	2	2	2	2	2	2	2	2	2	2	2	2	2	2
29	neoprene gasket	10432NP (was FT9045)	1	1	1	1	1	1	1	1	1	1	1	1	1	1	1	1	1	1	1	1	1	1	1	1	1
30	acrylic bezel	10433PL	1	1	1	1	1	1	1	1	1	1	1	1	1	1	1	1	1	1	1	1	1	1	1	1	1
31	stainless steel screw	10436SS	16	16	16	16	16	16	16	16	16	16	16	16	16	16	16	16	16	16	16	16	16	16	16	16	16
32	stainless steel screw - sems	10437SS	4	4	4	4	4	4	4	4	4	4	4	4	4	4	4	4	4	4	4	4	4	4	4	4	4
33	chrome mylar label	10438A	1	1	1	1	1	1	1	1	1	1	1	1	1	1	1	1	1	1	1	1	1	1	1	1	1
34	programming board assembly	10459 (was FT9035)	1	1	1	1	1	1	1	1	1	1	1	1	1	1	1	1	1	1	1	1	1	1	1	1	1
35	potted OBM	10465	1	1	1	1	1	1	1	1	1	1	1	1	1	1	1	1	1	1	1	1	1	1	1	1	1
36	fuse holder assembly	10596PLAC	1	1	1	1	1	1	1	1	1	1	1	1	1	1	1	1	1	1	1	1	1	1	1	1	1
37	cork gasket - lid	10597CK	1	1	1	1	1	1	1	1	1	1	1	1	1	1	1	1	1	1	1	1	1	1	1	1	1
38	aluminum faceplate	10598AL	1	1	1	1	1	1	1	1	1	1	1	1	1	1	1	1	1	1	1	1	1	1	1	1	1
39	aluminum frame	10599AL	1	1	1	1	1	1	1	1	1	1	1	1	1	1	1	1	1	1	1	1	1	1	1	1	1
40	aluminum housing	10600AL	1	1	1	1	1	1	1	1	1	1	1	1	1	1	1	1	1	1	1	1	1	1	1	1	1
41	glass fuse .5 amp	10601	1	1	1	1	1	1	1	1	1	1	1	1	1	1	1	1	1	1	1	1	1	1	1	1	1
42	brass pressure switch	10602BR	n/a	n/a	1	1	1	1	n/a	n/a	n/a	1	1	1	1	n/a	n/a	n/a	1	1	n/a	n/a	1	1	1	1	n/a
43	brass dot air brake swivel fitting	10603BR	n/a	n/a	1	1	1	1	n/a	n/a	n/a	1	1	1	1	n/a	n/a	n/a	1	1	n/a	n/a	1	1	1	1	n/a
44	power wire Plug-n-Play	10612	n/a	n/a	n/a	1	n/a	1	n/a	n/a	n/a	n/a	1	n/a	1	n/a	n/a	n/a	n/a	n/a	n/a	n/a	n/a	n/a	n/a	n/a	n/a
45	OBM plug elbow assy (Plug-n-Play)	10616PLBN	1	1	1	1	1	1	2	2	2	2	2	2	2	2	1	1	1	1	1	2	2	2	2	2	2
46	aluminum label - ground bolt	10621AL	1	1	1	1	1	1	1	1	1	1	1	1	1	1	1	1	1	1	1	1	1	1	1	1	1
47	plastic black button insert	BLACK BUTTON INSERT	6	6	6	6	6	6	6	6	6	6	6	6	6	6	6	6	6	6	6	6	6	6	6	6	6
48	jumper cross connector	10196	1	1	n/a	n/a	n/a	n/a	1	1	1	n/a	n/a	n/a	n/a	1	1	1	n/a	n/a	1	1	1	n/a	n/a	1	1
49	acetal plug	10606AC-002	1	1	n/a	n/a	n/a	n/a	1	1	1	n/a	n/a	n/a	n/a	1	1	1	n/a	n/a	1	1	1	n/a	n/a	1	1

Replacement Parts Overfill

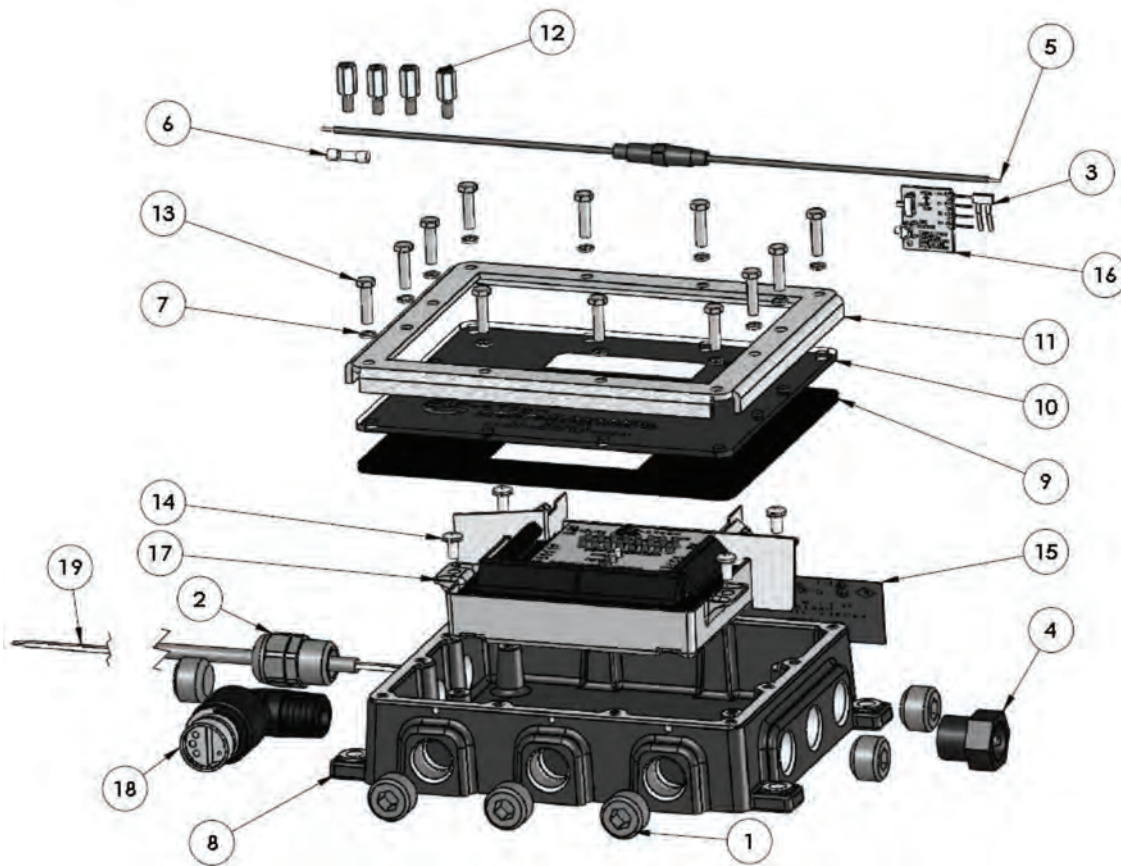
### Repair Kits

Part #	Description	Includes Item #
<b>FT320</b>	replacement blue (optic) vinyl cap assembly	2, 3, 5, 6, 9
<b>FT321</b>	replacement green (thermistor) vinyl cap assembly	2, 3, 5, 6, 8
<b>FT9051</b>	replacement contact assembly for FT390/393 optic 6 pin	1, 7, 18, 21
<b>FT9052</b>	replacement contact assembly for FT390/393 thermistor 10 pin	1, 7, 18, 21
<b>FT9062</b>	replacement nose ring contact assbly, thermistor 4J slot, 10 pin	1, 7, 18, 19, 21
<b>FT9063</b>	replacement nose ring contact assembly, optic 3 J slot, 6 pin	1, 7, 18, 20, 21
<b>FT9068</b>	replacement contact block attachment screws & washers (4 ea)	26, 27

Product instruction sheets and technical data can be viewed on our website at [dixonvalve.com](http://dixonvalve.com)

# Fuel Tanker Overfill Detection

## FT 208P Series Plug-n-Play Stand Alone Monitors



### Bill of Materials

Item #	Description	Part #	FT208P	FT208PP	FT208PPC
1	polypropylene pipe plug	10103	6	4	3
2	polyamide strain relief	10139	1	1	2
3	jumper - cross connector	10196	1	1	1
4	reset switch assembly	10200A	1	1	1
5	plastic fuse holder	10356	1	1	1
6	brass/glass fuse - 1/2 amp	10358 (was FT9039)	1	1	1
7	stainless steel lock washer	10375SS	12	12	12
8	aluminum box	10430AL	1	1	1
9	neoprene gasket	10432NP (was FT9045)	1	1	1
10	acrylic bezel	10433PL	1	1	1
11	aluminum frame	10434AL	1	1	1
12	aluminum standoff (old style boxes)	10435AL	4	4	n/a
13	stainless steel screw	10436SS	12	12	12
14	stainless steel screw - stems	10437SS	4	4	4
15	chrome mylar label	10438A	1	1	1
16	programming board assembly	10459 (was FT9035)	1	1	1
17	potted OBM	10465	1	1	1
18	OBM plug elbow assy (Plug-n-Play)	10616PLBN	1	3	3
19	power cable	10639	1	1	n/a

Overfill Replacement Parts

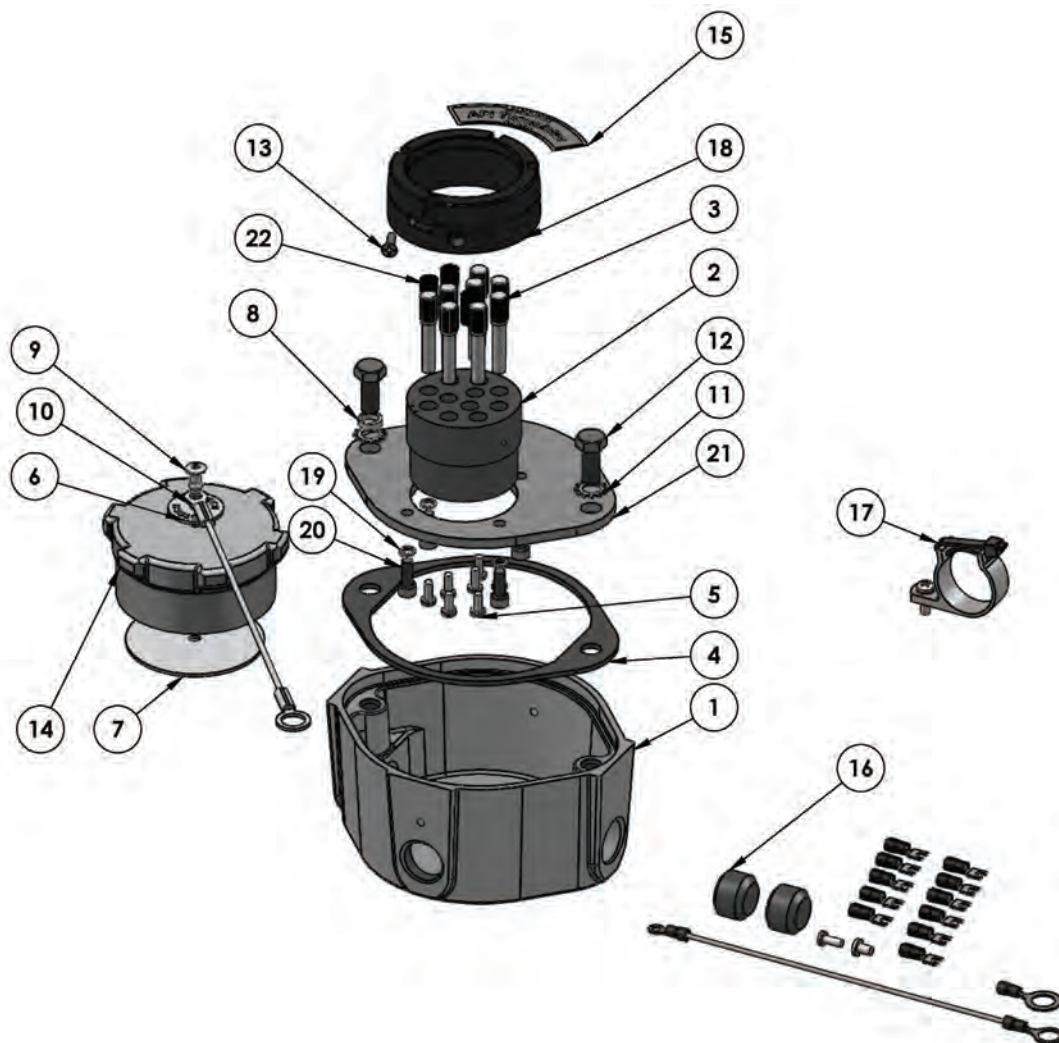
### Repair Kits

Part #	Description	Includes Item #
FT9036	replacement lid, bezel, screws and lockwashers	7, 9, 10, 11, 13
FT9040	replacement checkmate housing with lid	1, 7-14

Product instruction sheets and technical data can be viewed on our website at [dixonvalve.com](http://dixonvalve.com)

# Fuel Tanker Overfill Detection

## Plug-n-Play Stand Alone Sockets FT300P & FT301P



### Repair Kits

Part #	Description	Includes Item #
<b>FT320</b>	replacement blue (optic) vinyl cap assembly	6, 7, 9, 10, 14B
<b>FT321</b>	replacement green (thermistor) vinyl cap assembly	6, 7, 9, 10, 14A
<b>FT310</b>	face plate assembly - API optic ALH wear ring 6 pin 3 J Slots (US)	2 - 16, 18 - 22
<b>FT310SS</b>	face plate assembly - API optic SS GFL wear ring 6 pin 3 J Slots (US)	2 - 16, 18 - 22
<b>FT311</b>	face plate assembly - API Thermistor ALH wear ring 8 pin 4 J Slots (US)	2 - 22
<b>FT311SS</b>	face plate assembly - API Thermistor SS GFL wear ring 8 pin 4 J Slots (US)	2 - 22
<b>FT9008</b>	replacement contact block for FT300 Optic	2, 3, 5, 13
<b>FT9009</b>	replacement contact block for FT301 Thermistor	2, 3, 5, 13
<b>FT9013</b>	replacement faceplate 4 J slot (without contact block or hardware)	4, 15B, 18A, 19-21
<b>FT9020</b>	replacement socket pin, screw & crimp lug	3, 5
<b>FT9034</b>	replacement 3 J slot (without contact block and hardware)	4, 15A, 18B, 19-21
<b>FT9046</b>	replacement socket contact pins and screws	3, 5
<b>FT9068</b>	replacement contact block attachment screws and washers (4 each)	19, 20
<b>10387P-20</b>	wiring harness (Plug-n-Play) 20'	Refer to page 134 for image
<b>10605PL</b>	plastic clip	Refer to page 134 for image

Product instruction sheets and technical data can be viewed on our website at [dixonvalve.com](http://dixonvalve.com)

# Fuel Tanker Overfill Detection

## Plug-n-Play Stand Alone Sockets FT300P & FT301P

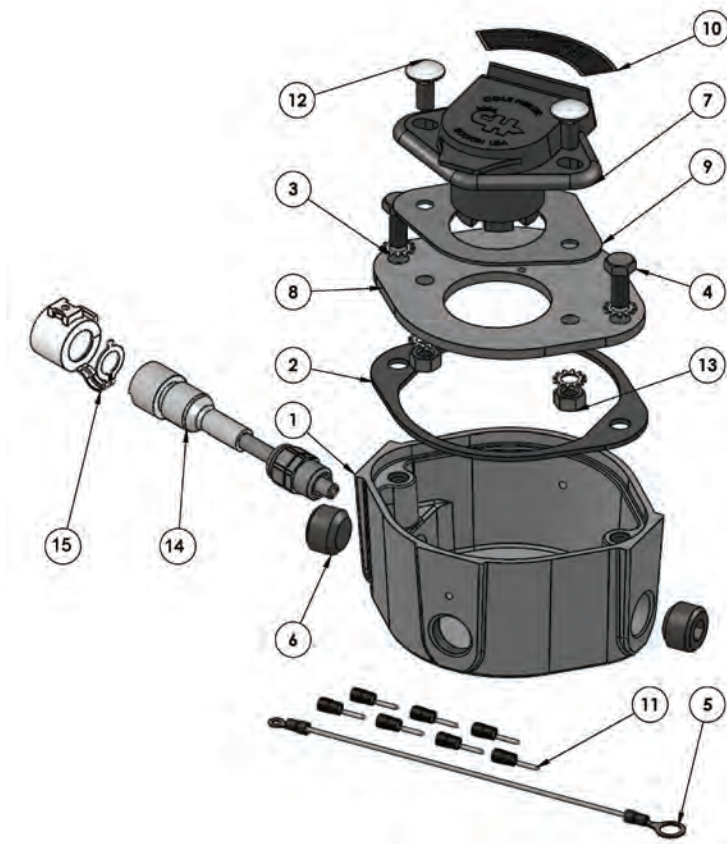
### Bill of Materials

Item #	Description	Part #	FT300P	FT301P	FT310	FT310SS	FT311	FT311SS
1	aluminum housing	<b>10031</b> (was FT9007)	1	1	n/a	n/a	n/a	n/a
2	plastic contact block	<b>10690PL-001</b>	1	1	1	1	1	1
3	stainless steel socket pin	<b>10368SS</b>	6	8	6	6	8	8
4	neoprene gasket	<b>10038</b> (was FT9032)	1	1	1	1	1	1
5	stainless steel screw	<b>10086</b>	6	8	6	6	8	8
6	aluminum name plate - socket washer	Use cap kit <b>FT320 or FT321</b>	1	1	1	1	1	1
7	aluminum washer 2.500 x .0625	Use cap kit <b>FT320 or FT321</b>	1	1	1	1	1	1
8	stainless steel spacer	<b>10089</b>	1	1	1	1	1	1
9	aluminum rivet .1875	Use cap kit <b>FT320 or FT321</b>	1	1	1	1	1	1
10	stainless steel cable - socket 8"	Use cap kit <b>FT320 or FT321</b>	1	1	1	1	1	1
11	stainless steel lock washer	<b>10092</b>	2	2	2	2	2	2
12	stainless steel screw	<b>10093</b>	2	2	2	2	2	2
13	stainless steel screw - contact block	<b>10094</b>	1	1	1	1	1	1
14A	vinyl dust cap - thermistor (green)	Use cap kit <b>FT321</b>	n/a	1	n/a	n/a	1	1
14B	vinyl dust cap - optic (blue)	Use cap kit <b>FT320</b>	1	n/a	1	1	n/a	n/a
15A	aluminum name plate - FT300	<b>10099</b>	1	n/a	1	1	n/a	n/a
15B	aluminum name plate - FT301	<b>10100</b>	n/a	1	n/a	n/a	1	1
16	assembly hardware	<b>10106</b>	1	1	1	1	1	1
17	nylon clamp assembly	<b>10264</b>	n/a	1	n/a	n/a	1	1
18A	ALH wear ring - 4 J slots	<b>10366HC-001</b> (was FT9042)	n/a	1	n/a	n/a	1	n/a
18B	ALH wear ring - 3 J slots	<b>10366HC-002</b> (was FT9041)	1	n/a	1	n/a	n/a	n/a
18C	stainless steel wear ring - 4 J slots	<b>10366SS-001</b> (was FT9044)	n/a	n/a	n/a	n/a	n/a	1
18D	stainless steel wear ring - 3 J slots	<b>10366SS-002</b> (was FT9043)	n/a	n/a	n/a	1	n/a	n/a
19	stainless steel lock washer	<b>10375SS</b>	4	4	4	4	4	4
20	stainless steel screw	<b>10376SS</b>	4	4	4	4	4	4
21	aluminum socket plate	<b>10431AL</b>	1	1	1	1	1	1
22	plastic black button insert	<b>BLACK BUTTON INSERT</b>	6	6	6	6	6	6
23	wiring harness (Plug-n-Play) 20'	<b>10387P-20</b>	1	1	n/a	n/a	n/a	n/a
24	plastic clip	<b>10605PL</b>	1	1	n/a	n/a	n/a	n/a



# Fuel Tanker Overfill Detection

## Plug-n-Play Stand Alone Sockets FT306P



### Bill of Materials

Item #	Description	Part #	FT208P	FT208PPC
1	aluminum housing	<b>10031</b> (was FT9007)	1	n/a
2	neoprene gasket	<b>10038</b> (was FT9032)	1	1
3	stainless steel lock washer	<b>10092</b>	4	4
4	stainless steel screw	<b>10093</b>	2	2
5	wire, assembly, socket	<b>10095</b>	1	1
6	polypropylene pipe plug	<b>10103</b>	2	2
7	J560 type socket	<b>10119</b> (was FT9029)	1	1
8	aluminum face plate	<b>10120</b>	1	1
9	neoprene gasket	<b>10121</b>	1	1
10	aluminum name plate - optic	<b>10235</b>	1	1
11	terminal pin	<b>10123</b>	7	7
12	stainless steel carriage bolt	<b>10507SS</b>	2	2
13	stainless steel nut	<b>10508SS</b>	2	2
14	wiring harness (Plug-n-Play) 20'	<b>10387P-20</b>	1	n/a
15	plastic clip	<b>10605PL</b>	1	n/a

### Repair Kits

Part #	Description	Includes Item #
<b>FT316</b>	face plate assembly- Optic J560 socket	2 - 13

Overfill Replacement Parts

Product instruction sheets and technical data can be viewed on our website at [dixonvalve.com](http://dixonvalve.com)

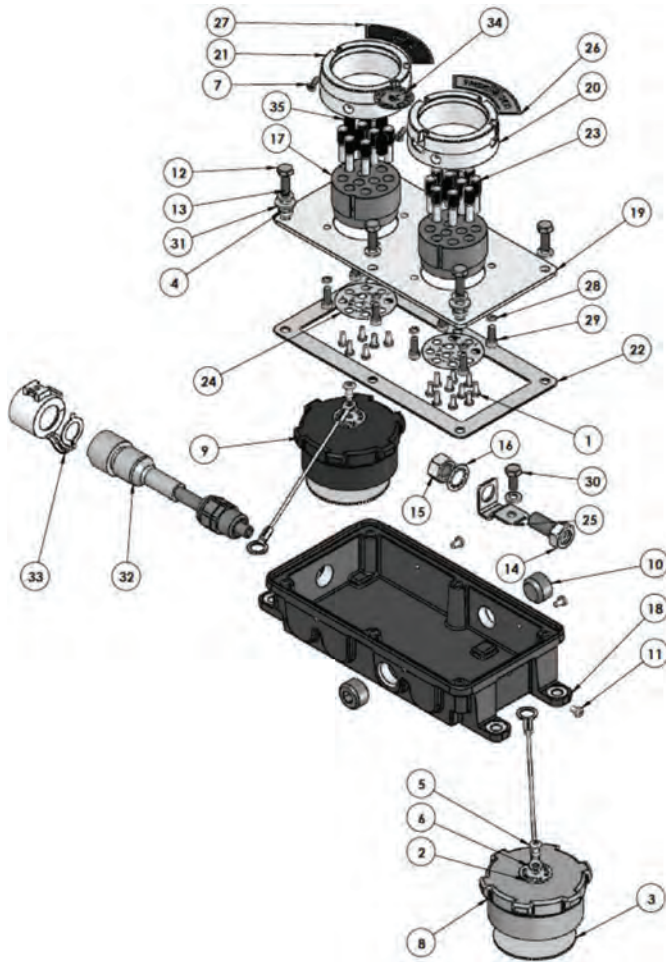


# Fuel Tanker Overfill Detection

## Plug-n-Play Stand Alone Sockets FT390PG-20

### Bill of Materials

Item #	Description	Part #	Qty
1	stainless steel screw	<b>10086</b>	16
2	aluminum name plate - socket washer	use kit <b>FT320 or FT321</b>	2
3	aluminum washer 2.500 x .0625	use kit <b>FT320 or FT321</b>	2
4	stainless steel spacer	<b>10089</b>	2
5	aluminum rivet .1875	use kit <b>FT320 or FT321</b>	2
6	stainless steel cable - socket 8"	use kit <b>FT320 or FT321</b>	2
7	stainless steel screw - contact block	<b>10094</b>	2
8	vinyl dust cap - green	use kit <b>FT321</b>	1
9	vinyl dust cap - blue	use kit <b>FT320</b>	1
10	polypropylene pipe plug	<b>10103</b>	2
11	steel screw - plug	<b>10105</b>	3
12	stainless steel screw	<b>10110</b>	6
13	stainless steel lock washer - 1/4"	<b>10111</b>	7
14	stainless steel ground bolt	<b>10223</b>	1
15	stainless steel nut - ground bolt 1/2"-13	<b>10224</b>	1
16	stainless steel lock washer internal tooth	<b>10225</b>	1
17	plastic contact block - socket short	<b>10254</b>	2
18	aluminum box - dual socket	<b>10364AL-001</b>	1
19	aluminum faceplate - dual socket	<b>10365AL</b>	1
20	stainless steel socket - thermistor	<b>10366SS-001</b>	1
21	stainless steel socket - optic	<b>10366SS-002</b>	1
22	cork gasket - lid	<b>10367CK</b>	1
23	stainless steel socket pin - short	<b>10368SS</b> (was FT9061)	16
24	vinyl label - socket contact	<b>10369VY</b>	2
25	stainless steel bracket - ground bolt	<b>10370SS</b>	1
26	aluminum name plate - thermistor	<b>10373AL</b>	1
27	aluminum name plate - optic	<b>10374AL</b>	1
28	stainless steel lock washer	<b>10375SS</b>	8
29	stainless steel screw	<b>10376SS</b>	8
30	stainless steel screw	<b>10377SS</b>	1
31	stainless steel washer	<b>10382SS</b>	2
32	wiring harness (Plug-n-Play) 20'	<b>10387P-20</b>	1
33	plastic clip	<b>10605PL</b>	1
34	aluminum label - ground bolt	<b>10621AL</b>	1
35	plastic black button insert	<b>BLACK BUTTON INSERT</b>	6



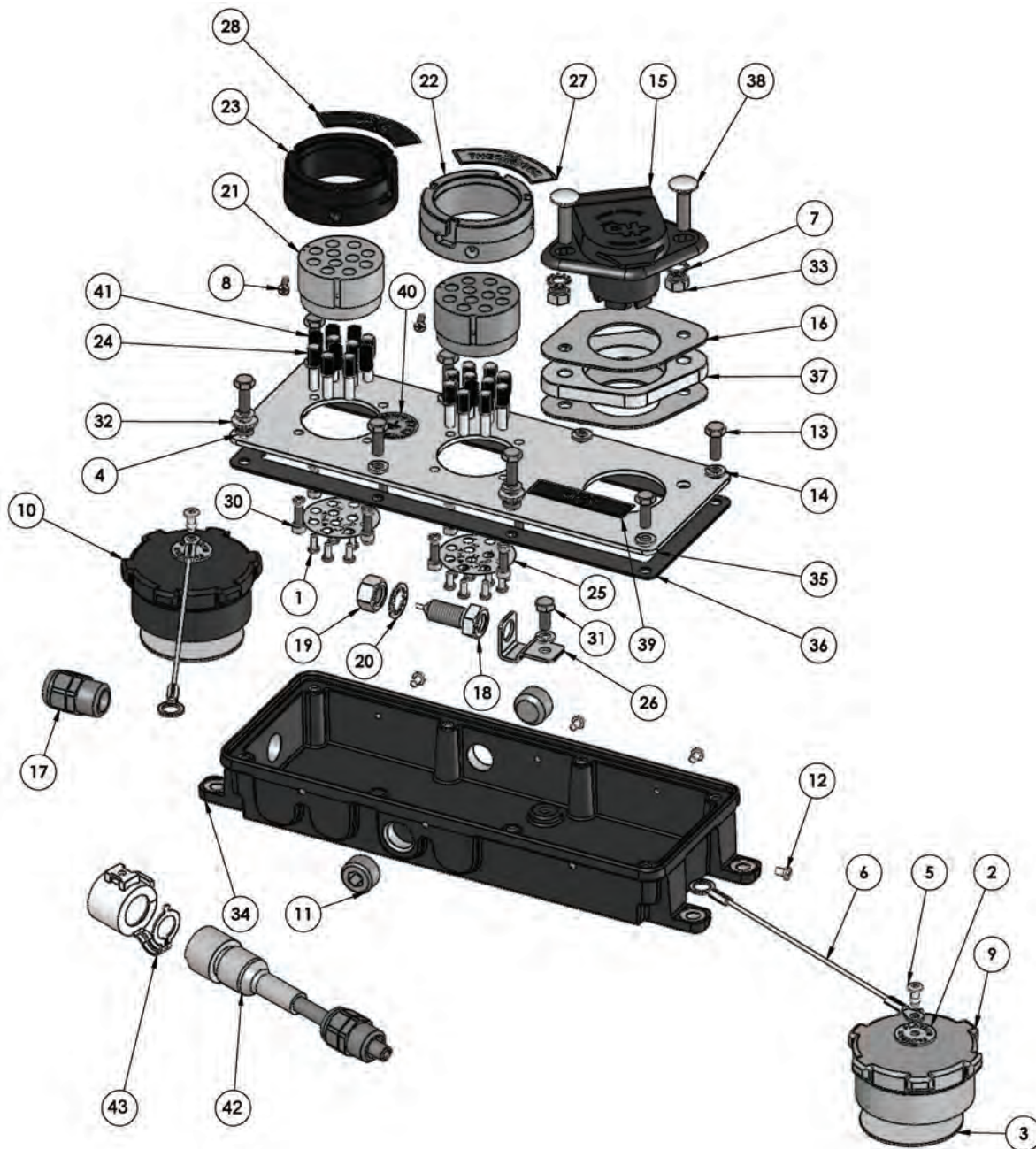
### Repair Kits

Part #	Description	Includes Item #
<b>FT320</b>	replacement blue (optic) vinyl cap assembly	2, 3, 5, 6, 9
<b>FT321</b>	replacement green (thermistor) vinyl cap assembly	2, 3, 5, 6, 8
<b>FT9051</b>	replacement contact block assembly for FT390/FT393 Optic 6 pin	1, 7, 17, 23, 24
<b>FT9052</b>	replacement contact block assembly for FT390/FT393 Thermistor 10 pin	1, 7, 17, 23, 24
<b>FT9062</b>	replacement nose ring, contact assembly, Thermistor 4J slot, 10 pin	1, 7, 17, 20, 23, 24
<b>FT9063</b>	replacement nose ring, contact assembly, Optic 3J slot, 6 pin	1, 7, 17, 21, 23, 24
<b>FT9068</b>	replacement contact block attachment screws and washers (4 each)	28, 29

Product instruction sheets and technical data can be viewed on our website at [dixonvalve.com](http://dixonvalve.com)

# Fuel Tanker Overfill Detection

## Plug-n-Play Stand Alone Sockets FT394P & FT395P Series



### Repair Kits

Part #	Description	Includes Item #
<b>FT320</b>	replacement blue (optic) vinyl cap assembly	2, 3, 5, 6, 10
<b>FT321</b>	replacement green (thermistor) vinyl cap assembly	2, 3, 5, 6, 9
<b>FT9051</b>	replacement contact block assembly for FT390/FT393 Optic 6 pin	1, 8, 21, 24, 25
<b>FT9052</b>	replacement contact block assembly for FT390/FT393 Thermistor 10 pin	1, 8, 21, 24, 25
<b>FT9062</b>	replacement nose ring contact assembly, Thermistor 4J slot, 10 pin	1, 8, 21, 22, 24, 25
<b>FT9063</b>	replacement nose ring contact assembly, Optic 3J slot, 6 pin	1, 8, 21, 23, 24, 25
<b>FT9068</b>	replacement contact block attachment screws and washers (4 each)	29, 30

Product instruction sheets and technical data can be viewed on our website at [dixonvalve.com](http://dixonvalve.com)

# Fuel Tanker Overfill Detection

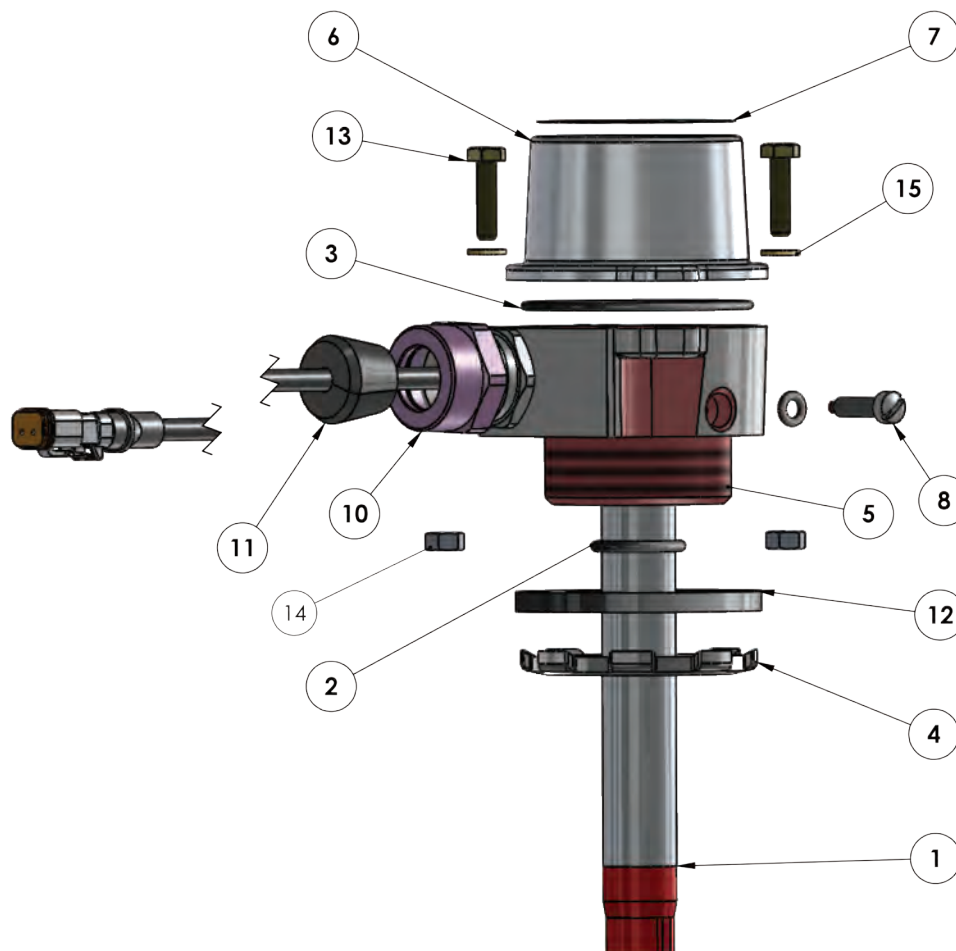
## Plug-n-Play Stand Alone Sockets FT394P & FT395P Series

### Bill of Materials

Item #	Description	Part #	FT394P	FT394VP	FT394PG	FT394VPG	FT395PG-20
1	stainless steel screw	<b>10086</b>	16	16	16	16	16
2	aluminum name plate - socket washer	<b>10087</b>	2	2	2	2	2
3	aluminum washer 2.500 x .0625	use kit <b>FT320 or FT321</b>	2	2	2	2	2
4	stainless steel spacer	use kit <b>FT320 or FT321</b>	2	2	2	2	2
5	aluminum rivet .1875	use kit <b>FT320 or FT321</b>	2	2	2	2	2
6	stainless steel cable - socket 8"	use kit <b>FT320 or FT321</b>	2	2	2	2	2
7	stainless steel lock washer	<b>10092</b>	2	2	2	2	2
8	stainless steel screw - contact block	<b>10094</b>	2	2	2	2	2
9	vinyl dust cap - thermistor (green)	use kit <b>FT321</b>	1	1	1	1	1
10	vinyl dust cap - optic (blue)	use kit <b>FT320</b>	1	1	1	1	1
11	polypropylene pipe plug	<b>10103</b>	2	2	2	2	2
12	steel screw - plug	<b>10105</b>	4	4	4	4	4
13	stainless steel screw	<b>10110</b>	8	8	8	8	8
14	stainless steel lock washer - 1/4"	<b>10111</b>	9	9	9	9	9
15	J560 socket	<b>10119</b> (was FT9029)	1	1	1	1	1
16	neoprene gasket, float socket	<b>10121</b>	2	2	2	2	2
17	polyamide strain relief	<b>10139</b>	1	1	1	1	1
18	stainless steel ground bolt	<b>10223</b>	n/a	n/a	1	1	n/a
19	stainless steel nut - ground bolt 1/2"- 13	<b>10224</b>	n/a	n/a	1	1	n/a
20	stainless steel lock washer internal tooth	<b>10225</b>	n/a	n/a	1	1	n/a
21	plastic contact block - socket short	<b>10254</b>	2	2	2	2	2
22	stainless steel wear ring - 4 J slot	<b>10366SS-001</b> (was FT9044)	1	1	1	1	2
23	stainless steel wear ring - 3 J slot	<b>10366SS-002</b> (was FT9043)	1	1	1	1	n/a
24	stainless steel socket pin - short	<b>10368SS</b> (was FT9061)	16	16	16	16	16
25	vinyl label - socket contact	<b>10369VY</b>	2	2	2	2	2
26	stainless steel bracket - ground bolt	<b>10370SS</b>	1	1	1	1	1
27	aluminum name plate - thermistor	<b>10373AL</b>	1	1	1	1	1
28	aluminum name plate - optic	<b>10374AL</b>	1	1	1	1	1
29	stainless steel lock washer	<b>10375SS</b>	8	8	8	8	8
30	stainless steel screw	<b>10376SS</b>	8	8	8	8	8
31	stainless steel screw	<b>10377SS</b>	1	1	1	1	1
32	stainless steel washer	<b>10382SS</b>	2	2	2	2	2
33	stainless steel nut	<b>10508SS</b>	2	2	2	2	2
34	aluminum box - 3 socket	<b>10525AL</b>	1	1	1	1	1
35	aluminum faceplate - three socket	<b>10526AL</b>	1	1	1	1	1
36	cork gasket - lid	<b>10527CK</b>	1	1	1	1	1
37	acetal spacer	<b>10529AC</b>	1	1	1	1	1
38	stainless steel carriage bolt	<b>10530SS</b>	2	2	2	2	2
39	aluminum name plate - optic (blue)	<b>10558AL</b>	1	1	1	1	1
40	aluminum label - ground bolt	<b>10621AL</b>	n/a	n/a	1	1	n/a
41	plastic black button insert	<b>BLACK BUTTON INSERT</b>	6	6	6	6	6
42	wiring harness (Plug-n-Play) 20'	<b>10387P-20</b>	1	1	1	1	1
43	plastic clip	<b>10605PL</b>	1	1	1	1	1

# Fuel Tanker Overfill Detection

## Plug-n-Play Sensors FT151P Series, Overfill Sensor Housings



### Bill of Materials

Item #	Description	Part #	Qty
1	assembly sensor, Therm-Optic	<b>10109-PP</b>	1
2	O-ring	<b>10125</b>	1
3	O-ring	<b>10126</b>	1
4	lock nut	<b>10128</b>	1
5	sensor housing	<b>10183-P&amp;P</b>	1
6	sensor housing cap	<b>10185</b>	1
7	label	<b>10204</b>	1
8	screw with nylon insert	<b>10212</b>	1
9	O-ring	<b>10213</b>	1
10	cord grip assembly	<b>10248</b>	1
11	bushing	<b>10638</b>	1
12	gasket	<b>40090BN</b>	1
13	screw	<b>10841SS</b>	2
14	nut	<b>10124</b>	2
15	lock washer - 1/4"	<b>10111</b>	2

### Repair Kits

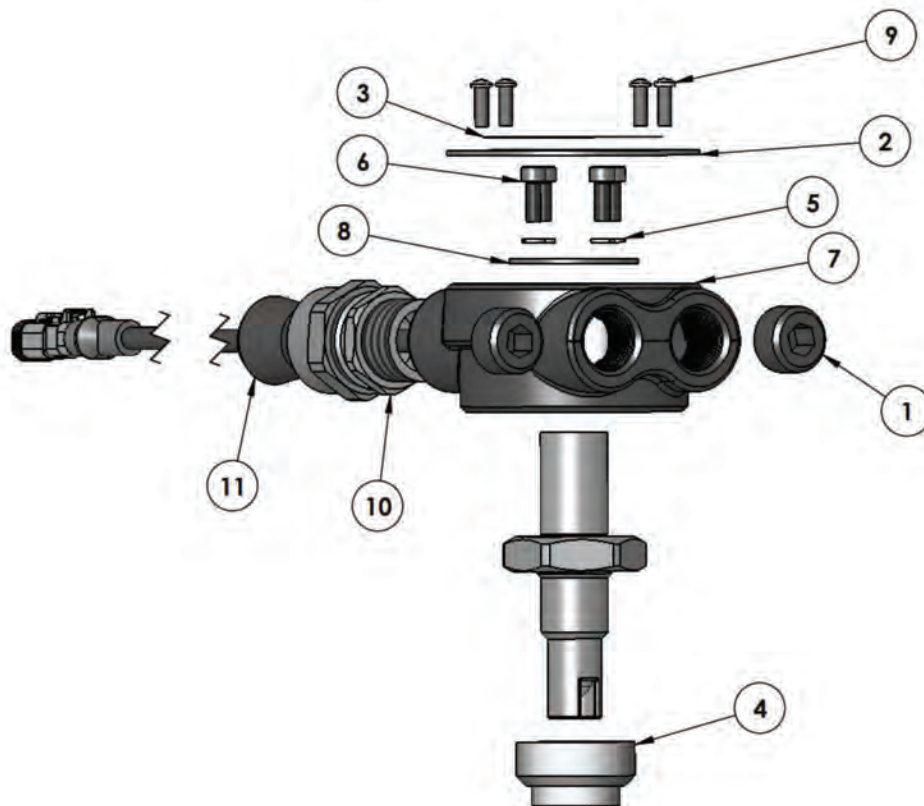
Part #	Description	Includes Item #
<b>FT150P</b>	replacement Plug-n-Play overfill detection probe. - 7"	1
<b>FT150-12P</b>	replacement Plug-n-Play overfill detection probe. - 12"	1
<b>FT150-18P</b>	replacement Plug-n-Play overfill detection probe. - 18"	1
<b>FT9000P</b>	complete replacement Plug-n-Play sensor housing (without probe)	2-14
<b>FT9001</b>	sensor housing gasket and O-ring kit	5, 6, 7, 13
<b>FT9011</b>	sensor housing cap with screws & lock washers	2, 3, 8

Product instruction sheets and technical data can be viewed on our website at [dixonvalve.com](http://dixonvalve.com)



# Fuel Tanker Overfill Detection

## Plug-n-Play Sensors FT152P Retain Sensor Housings



### Bill of Materials

Item #	Description	Part #	Qty
1	polypropylene pipe plug	<b>10103</b>	2
2	aluminum retain sensor lid	<b>10134</b>	1
3	mylar label - retain sensor	<b>10343</b>	1
4	aluminum threaded collar	<b>10347</b> (was FT9050)	1
5	stainless steel lock washer	<b>10375SS</b>	4
6	stainless steel screw	<b>10376SS</b>	4
7	nylon retain sensor housing	<b>10471NY-P&amp;P</b>	1
8	aluminum back-up plate	<b>10476AL</b>	1
9	stainless steel screw	<b>10477SS</b>	4
10	aluminum cord grip assembly	<b>10248</b>	1
11	rubber bushing	<b>10638</b>	1

### Repair Kits

Part #	Description	Includes Item #
<b>FT9068</b>	replacement contact block attachment screws and washers (4 each)	5,6

Note: probe is not replaceable, if probe needs replacing, a complete FT152P needs to be ordered.

Product instruction sheets and technical data can be viewed on our website at [dixonvalve.com](http://dixonvalve.com)

Overfill Replacement Parts



# Fuel Tanker Overfill Detection

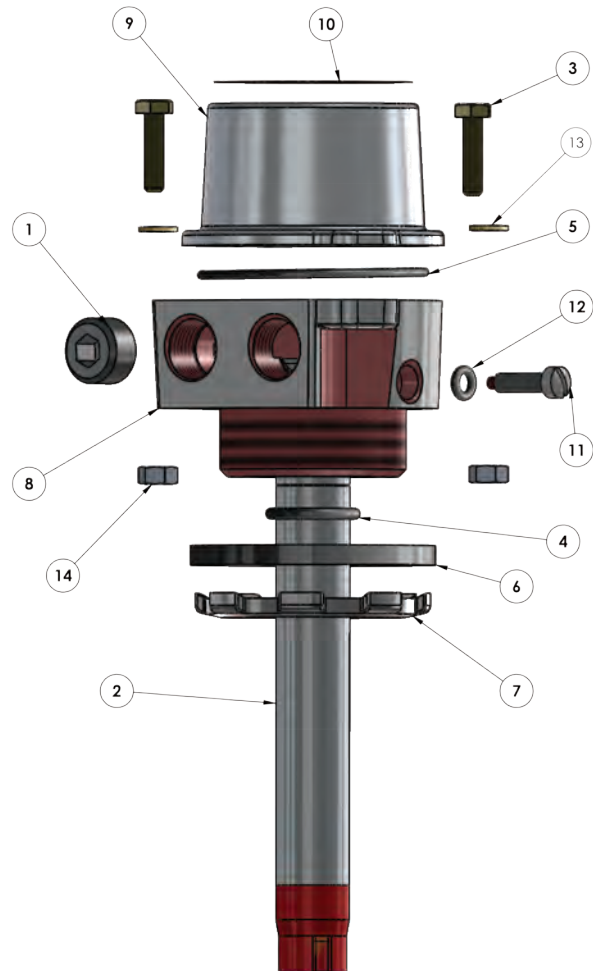
## FT101, FT151 & FT202 Series Overfill Sensor Housings

### Bill of Materials

Item #	Description	Part #	Qty
1	pipe plug	<b>10103</b>	1
2	assembly, sensor 5 wire	<b>10107A</b>	1
3	screw	<b>10841SS</b>	2
4	O-ring	<b>10125</b>	1
5	O-ring	<b>10126</b>	1
6	gasket	<b>40090BN</b>	1
7	lock nut	<b>10128</b>	1
8	sensor housing	<b>10183</b>	1
9	sensor housing cap	<b>10185</b>	1
10	label - retain sensor	<b>10203</b>	1
11	screw with nylon insert	<b>10212</b>	1
12	O-ring	<b>10213</b>	1
13	lock washer - 1/4"	<b>10111</b>	2
14	nut	<b>10124</b>	2

### Repair Kits

Part #	Description	Includes Item #
<b>FT100</b>	replacement 5 wire overfill detection probe, 7"	2
<b>FT100-12</b>	replacement 5 wire overfill detection probe, 12"	2
<b>FT100-18</b>	replacement 5 wire overfill detection probe, 18"	2
<b>FT150</b>	replacement black & white 2 wire overfill detection probe, 7"	2
<b>FT150-12</b>	replacement black & white 2 wire overfill detection probe, 12"	2
<b>FT150-18</b>	replacement black & white 2 wire overfill detection probe, 18"	2
<b>FT201</b>	replacement red & black 2 wire overfill detection probe, 7"	2
<b>FT201-12</b>	replacement red & black 2 wire overfill detection probe, 12"	2
<b>FT201-18</b>	replacement red & black 2 wire overfill detection probe, 18"	2
<b>FT9000</b>	complete replacement sensor housing (without probe)	1, 3-13
<b>FT9001</b>	sensor housing gasket and O-ring kit	5-7, 13
<b>FT9002</b>	sensor housing gasket, O-ring and hardware kit	1, 3-8, 12, 13
<b>FT9011</b>	sensor housing cap with screws & lock washers	3, 4, 10

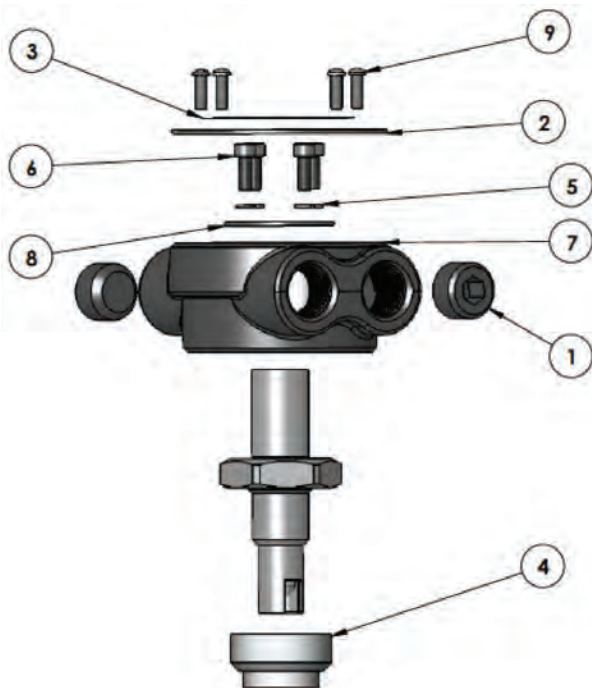


Overfill  
Replacement Parts

Product instruction sheets and technical data can be viewed on our website at [dixonvalve.com](http://dixonvalve.com)

# Fuel Tanker Overfill Detection

## FT152 & FT206 Retain Sensor Housings



### Bill of Materials

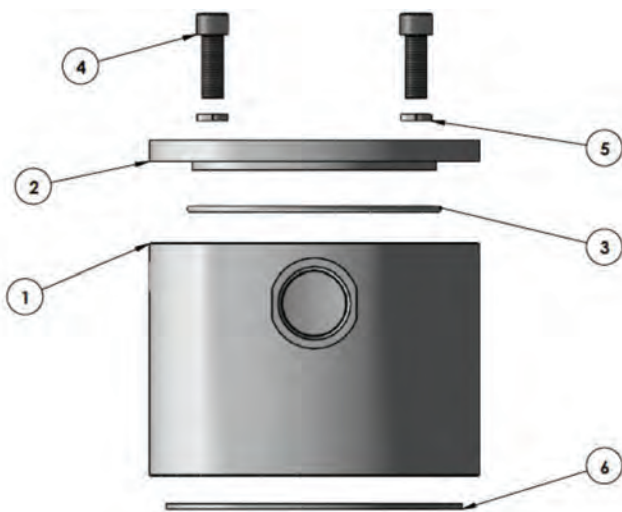
Item #	Description	Part #	Qty
1	polypropylene pipe plug	<b>10103</b>	2
2	aluminum retain sensor lid	<b>10134</b>	1
3	mylar label - retain sensor	<b>10343</b>	1
4	aluminum threaded collar	<b>10347</b> (was FT9050)	1
5	stainless steel lockwasher	<b>10375SS</b>	4
6	stainless steel screw	<b>10376SS</b>	4
7	nylon retain sensor housing	<b>10471NY</b>	1
8	aluminum back-up plate	<b>10476AL</b>	1
9	stainless steel screw	<b>10477SS</b>	4

### Repair Kits

Part #	Description	Includes Item #
<b>FT9055</b>	replacement hardware kit	2, 3
<b>FT9068</b>	replacement contact block attachment screws and washers (4 each)	5, 6

Note: probe is not replaceable.

## FT191S Overfill Sensor Housing



### Bill of Materials

Item #	Description	Part #	Qty
1	3" stainless steel NPSM housing	<b>10540SS</b>	1
2	aluminum housing lid	<b>10541AL</b>	1
3	Buna-N O-ring	<b>10542BN</b>	1
4	stainless steel screw	<b>10554SS</b>	4
5	stainless steel lock washer	<b>40099SS</b>	4
6	PTFE gasket	<b>40190TF</b>	1

### Stainless Steel Probes

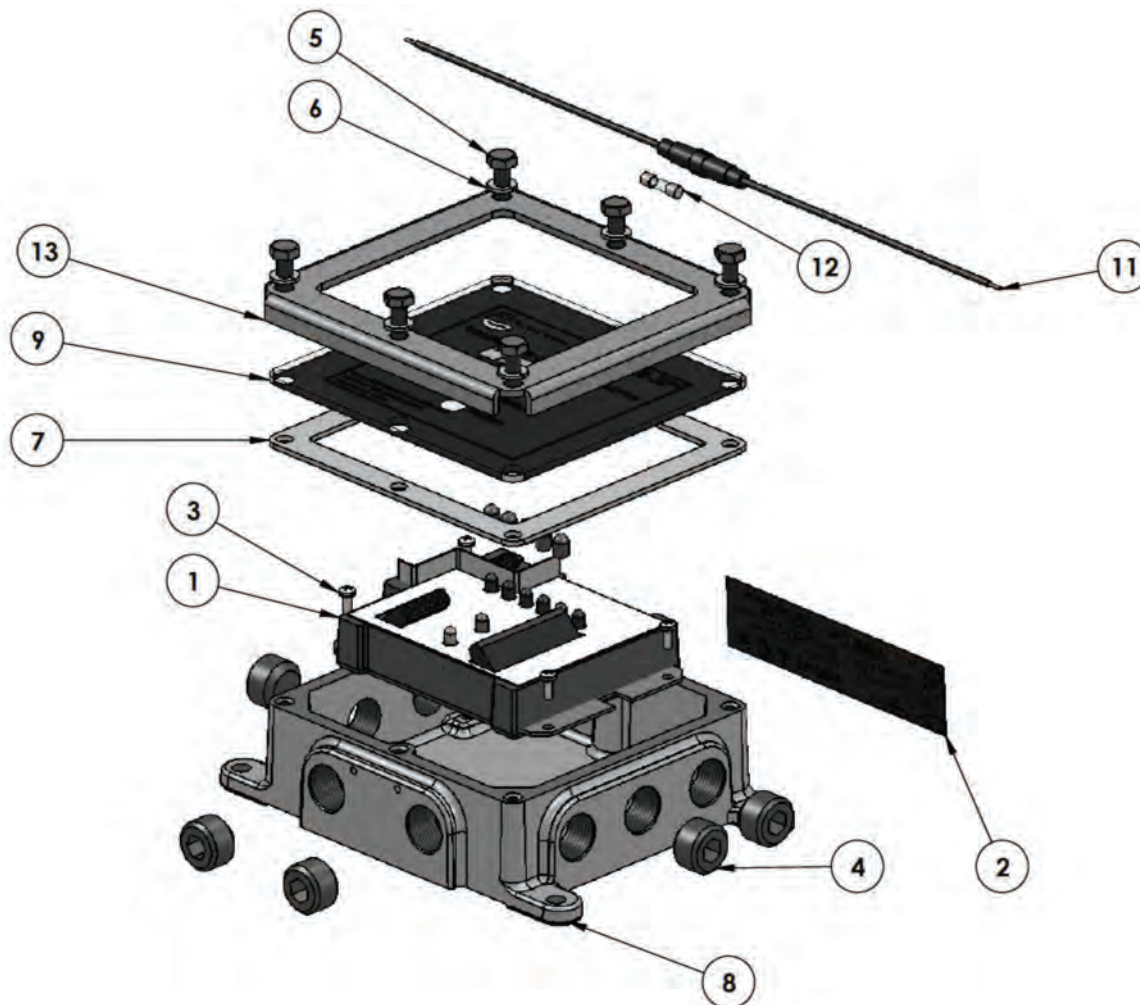
Part #	Description
<b>FT100S</b>	5 wire overfill detection, 316 stainless steel probe only 7"
<b>FT150S</b>	black & white 2 wire overfill detection, 316 stainless steel probe only 7"

Overfill Replacement Parts

Product instruction sheets and technical data can be viewed on our website at [dixonvalve.com](http://dixonvalve.com)

# Fuel Tanker Overfill Detection

## FT102/FT103 5 Wire, API Optic On-Board Monitor



### Bill of Materials

Item #	Description	Part #	FT102	FT103
1	5 wire onboard monitor assembly	10077	1	1
2	chrome mylar label	10079	n/a	1
3	stainless steel screw	10086	4	4
4	polypropylene pipe plug	10103	n/a	5
5	stainless steel screw	10110	6	6
6	stainless steel lockwasher - 1/4"	10111	6	6
7	neoprene gasket	10131 (was FT9053)	1	1
8	aluminum onboard monitor housing	10136	n/a	1
9	acrylic bezel	10142 (was FT9005)	1	1
10	PVC L.E.D. cover	10207	5	5
11	plastic fuse holder	10356	1	1
12	brass/glass fuse - 1/4 amp	10357 (was FT9039)	1	1
13	aluminum frame lid	10470AL	1	1

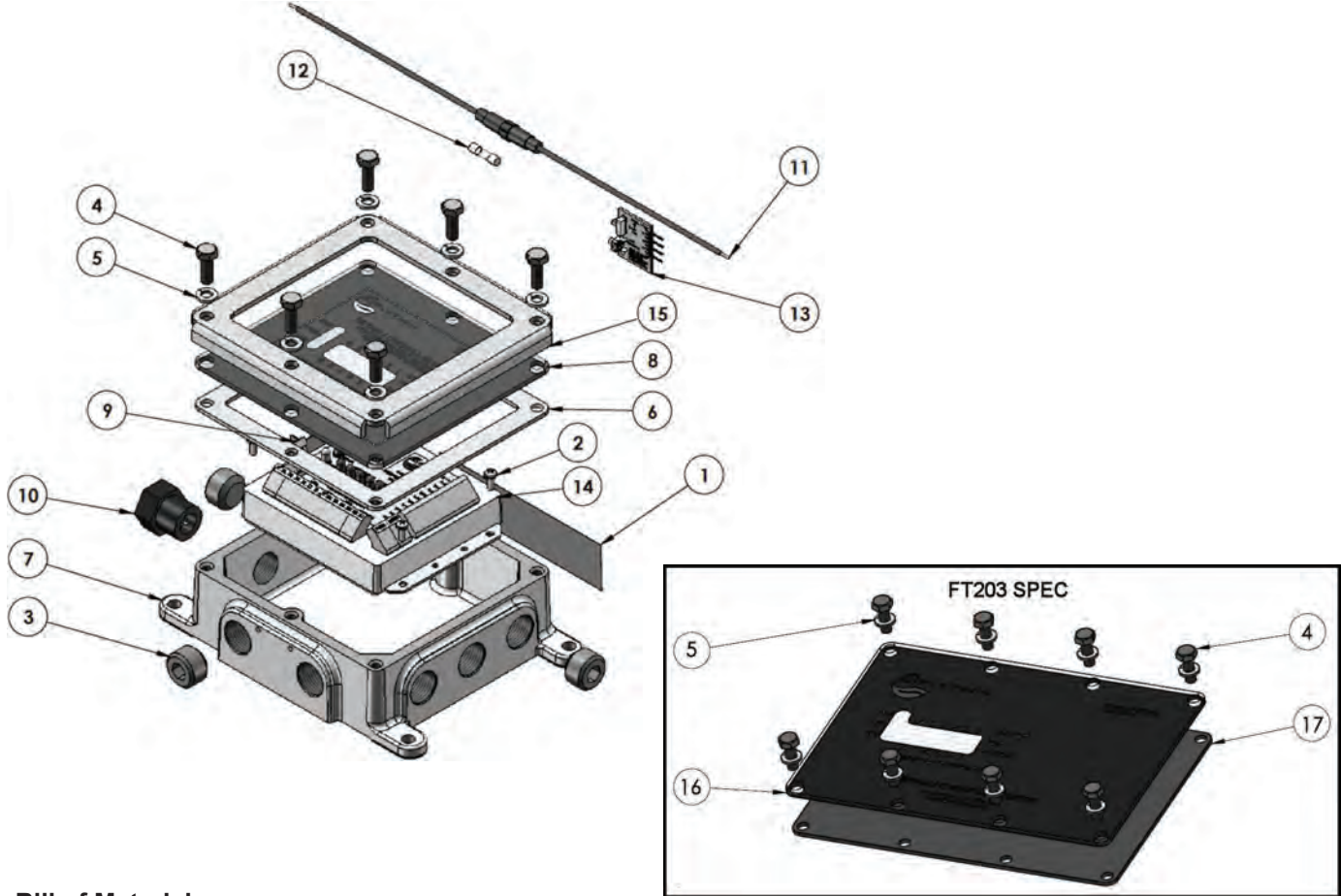
### Repair Kits

Part #	Description	Includes Item #
FT9003	replacement monitor housing	3-10, 13
FT9004	replacement monitor hardware kit	5, 6, 7, 9, 13
FT9030	replacement fuse holder with 1/4 amp fuse	11, 12

Product instruction sheets and technical data can be viewed on our website at [dixonvalve.com](http://dixonvalve.com)

# Fuel Tanker Overfill Detection

## FT203/FT204 Series R/OM Type Red & Black 2 Wire, Onboard Monitor



### Bill of Materials

Item #	Description	Part #	FT203P	FT203SPEC	FT204P
1	chrome mylar label	<b>10078</b>	n/a	n/a	1
2	stainless steel screw	<b>10086</b>	4	4	4
3	polypropylene pipe plug	<b>10103</b>	n/a	n/a	3
4	stainless steel screw	<b>10110</b>	6	8	6
5	stainless steel lock washer - 1/4"	<b>10111</b>	6	8	6
6	neoprene gasket	<b>10131</b> (was FT9053)	1	n/a	1
7	aluminum onboard monitor housing	<b>10136</b>	n/a	n/a	1
8	acrylic bezel	<b>10143</b> (was FT9006)	1	n/a	1
9	jumper - cross connector	<b>10196</b>	1	1	1
10	reset switch assembly	<b>10200A</b>	n/a	n/a	1
11	plastic fuse holder	<b>10356</b>	1	1	1
12	brass/glass fuse - 1/2 amp	<b>10358</b> (was FT9039)	1	1	1
13	programming board assembly	<b>10459</b> (was FT9035)	1	1	1
14	OBM assy potted	<b>10460</b>	1	1	1
15	aluminum frame lid	<b>10470AL</b> (was FT9054)	1	n/a	1
16	bezel for Civacon 3250 & 3252 boxes	<b>10520PL</b>	n/a	1	n/a
17	neoprene gasket for 10520PL	<b>10521NP</b> (was FT9065)	n/a	1	n/a

### Repair Kits

Part #	Description	Includes Item #
<b>FT9003</b>	replacement monitor housing	2-8, 15
<b>FT9004</b>	replacement monitor hardware kit	4-6, 8, 15
<b>FT9031</b>	replacement fuse holder with 1/2 amp fuse	11, 12
<b>FT9059</b>	replacement faceplate and bezel for FT204P	4, 5, 6, 8, 15
<b>FT9064</b>	replacement gasket and bezel for FT203 SPEC	16, 17

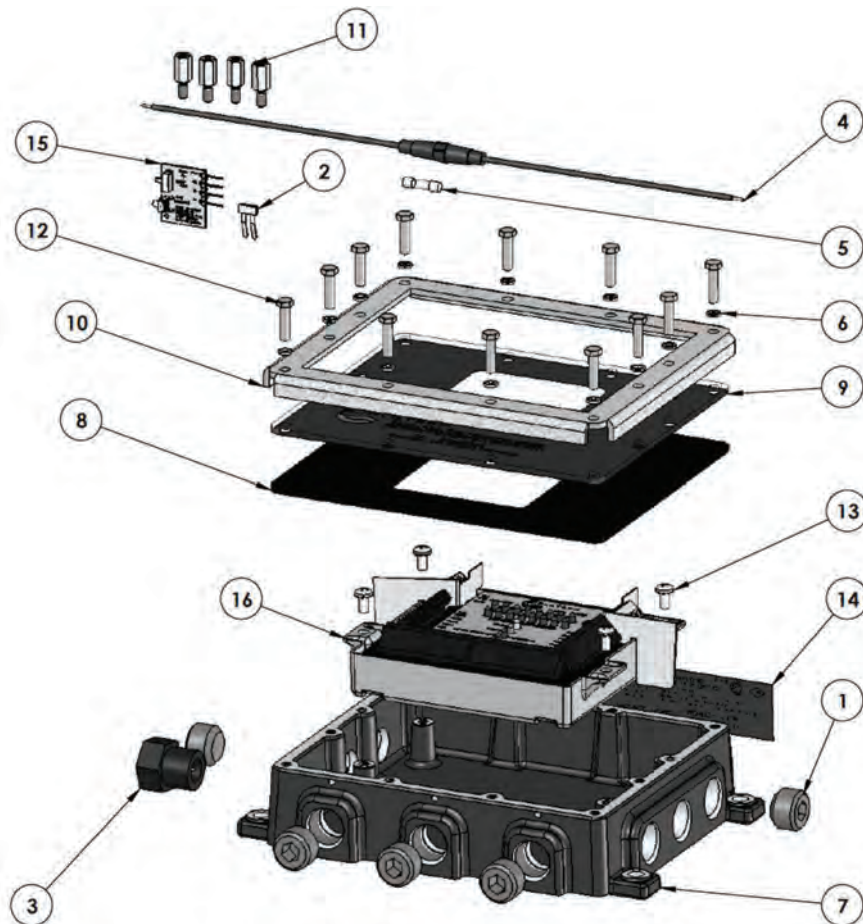
Product instruction sheets and technical data can be viewed on our website at [dixonvalve.com](http://dixonvalve.com)

Overfill Replacement Parts



# Fuel Tanker Overfill Detection

## FT207/FT208 Series Checkmate Black & White 2 Wire, Programmable Onboard Monitor



### Bill of Materials

Item #	Description	Part #	FT207	FT208
1	polypropylene pipe plug	<b>10103</b>	n/a	5
2	jumper - cross connector	<b>10196</b>	1	1
3	reset switch assembly	<b>10200A</b>	n/a	1
4	plastic fuse holder	<b>10356</b>	1	1
5	brass/glass fuse - 1/2 amp	<b>10358</b> (was FT9039)	1	5
6	stainless steel lock washer	<b>10375SS</b>	12	12
7	aluminum box	<b>10430AL</b>	n/a	1
8	neoprene gasket	<b>10432NP</b> (was FT9045)	1	1
9	acrylic bezel	<b>10433PL</b> (was FT9036)	1	1
10	aluminum frame	<b>10434AL</b>	1	1
11	aluminum standoff (only used in older units)	<b>10435AL</b>	n/a	4
12	stainless steel screw	<b>10436SS</b>	12	12
13	stainless steel screw - stems	<b>10437SS</b>	4	4
14	chrome mylar label	<b>10438A</b>	n/a	1
15	programming board assembly	<b>10459</b> (was FT9035)	1	1
16	potted OBM	<b>10465</b>	1	1

### Repair Kits

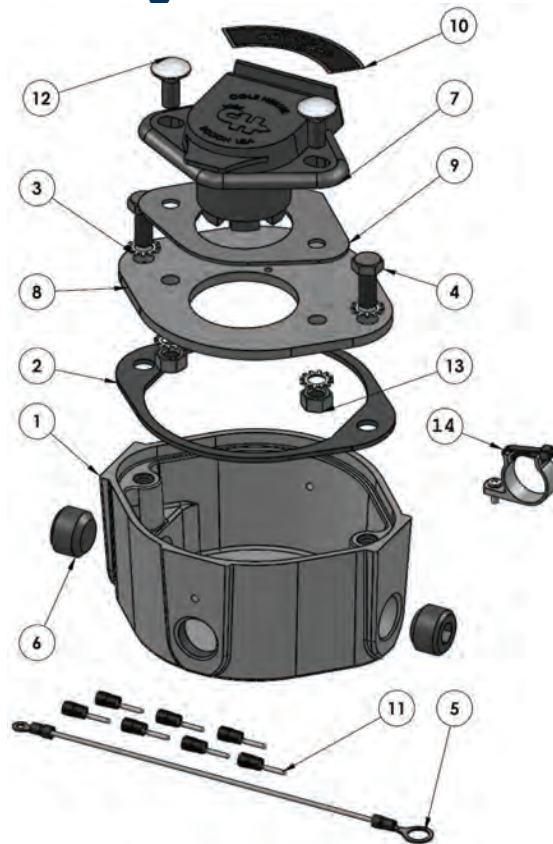
Part #	Description	Includes Item #
<b>FT9031</b>	replacement fuse holder with 1/2 amp fuse	11, 12
<b>FT9036</b>	replacement lid, bezel, screws & lockwashers	6, 8, 9, 10, 12
<b>FT9040</b>	replacement Checkmate housing with lid	1, 6-13

Product instruction sheets and technical data can be viewed on our website at [dixonvalve.com](http://dixonvalve.com)



# Fuel Tanker Overfill Detection

## Single J560 Sockets



### Bill of Materials

Item #	Description	Part #	FT302	FT305	FT306	FT312	FT315	FT316
1	aluminum housing	10031 (was FT9007)	1	1	1	n/a	n/a	n/a
2	neoprene gasket	10038 (was FT9032)	1	1	1	1	1	1
3	stainless steel lock washer	10092	4	4	4	4	4	4
4	stainless steel screw	10093	2	2	2	2	2	2
5	wire, assembly, socket	10095	1	1	1	1	1	1
6	polypropylene pipe plug	10103	2	2	2	2	2	2
7	J560 type socket	10119 (was FT9029)	1	1	1	1	1	1
8	aluminum face plate	10120	1	1	1	1	1	1
9	neoprene gasket	10121	1	1	1	1	1	1
10A	aluminum name plate - float	10122	1	n/a	n/a	n/a	n/a	n/a
10B	aluminum name plate - optic	10235	n/a	n/a	1	n/a	1	1
10C	aluminum name plate - thermistor	10244	n/a	1	n/a	n/a	n/a	n/a
11	terminal pin	10123	7	7	7	7	7	7
12	stainless steel carriage bolt	10507SS	2	2	2	2	2	2
13	stainless steel nut	10508SS	2	2	2	2	2	2
14	nylon clamp assembly	10264	n/a	1	n/a	n/a	1	n/a

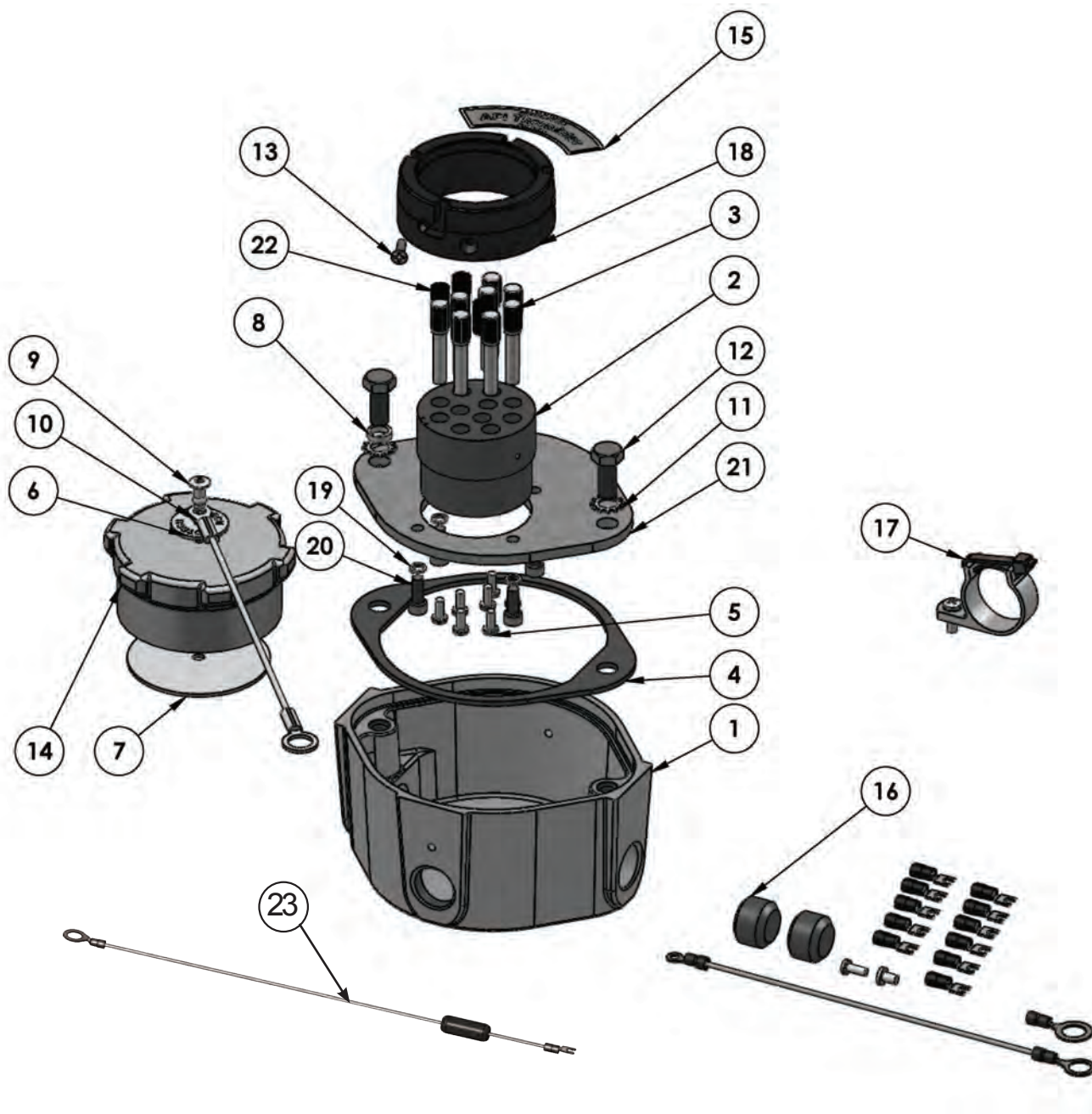
### Repair Kits

Part #	Description	Includes Item #
FT312	face plate assembly- API float J560 socket	2 - 14
FT315	face plate assembly- Thermistor J560 socket	2 - 14
FT316	face plate assembly- Optic J560 socket	2 - 14

Product instruction sheets and technical data can be viewed on our website at [dixonvalve.com](http://dixonvalve.com)

# Fuel Tanker Overfill Detection

## FT30x Series Single J Slot Sockets



Overfill  
Replacement Parts

Product instruction sheets and technical data can be viewed on our website at [dixonvalve.com](http://dixonvalve.com)

# Fuel Tanker Overfill Detection

## FT30x Series Single J Slot Sockets

### Bill of Materials

Item #	Description	Part #	FT300	FT300SS	FT300GW	FT301	FT301SS	FT303	FT303SS	FT304	FT304SS	FT307	FT307SS	FT310	FT310SS	FT311	FT311SS	FT313	FT313SS	FT314	FT314SS	FT317	FT317SS
1	aluminum housing	10031 (was FT9007)	1	1	1	1	1	1	1	1	1	1	1	n/a	n/a	n/a	n/a	n/a	n/a	n/a	n/a	n/a	n/a
2	plastic contact block	10690PL-001	1	1	1	1	1	1	1	1	1	1	1	1	1	1	1	1	1	1	1	1	1
3	stainless steel socket pin	10368SS	6	6	6	8	8	6	6	10	10	6	6	6	6	8	8	6	6	10	10	6	6
4	neoprene gasket	10038 (was FT9032)	1	1	1	1	1	1	1	1	1	1	1	1	1	1	1	1	1	1	1	1	1
5	stainless steel screw	10086	6	6	6	8	8	6	6	10	10	6	6	6	6	8	8	6	6	10	10	6	6
6	aluminum name plate - socket washer	Use cap kit FT320 or FT321	1	1	1	1	1	1	1	1	1	1	1	1	1	1	1	1	1	1	1	1	1
7	aluminum washer 2.500 x .0625	Use cap kit FT320 or FT321	1	1	1	1	1	1	1	1	1	1	1	1	1	1	1	1	1	1	1	1	1
8	stainless steel spacer	10089	1	1	1	1	1	1	1	1	1	1	1	1	1	1	1	1	1	1	1	1	1
9	aluminum rivet .1875	Use cap kit FT320 or FT321	1	1	1	1	1	1	1	1	1	1	1	1	1	1	1	1	1	1	1	1	1
10	stainless steel cable - socket 8"	Use cap kit FT320 or FT321	1	1	1	1	1	1	1	1	1	1	1	1	1	1	1	1	1	1	1	1	1
11	stainless steel lock washer	10092	2	2	2	2	2	2	2	2	2	2	2	2	2	2	2	2	2	2	2	2	2
12	stainless steel screw	10093	2	2	2	2	2	2	2	2	2	2	2	2	2	2	2	2	2	2	2	2	2
13	stainless steel screw - contact block	10094	1	1	1	1	1	1	1	1	1	1	1	1	1	1	1	1	1	1	1	1	1
14A	vinyl dust cap - thermistor (green)	Use cap kit FT321	n/a	n/a	n/a	1	1	n/a	n/a	1	1	n/a	n/a	n/a	n/a	1	1	n/a	n/a	1	1	n/a	n/a
14B	vinyl dust cap - optic (blue)	Use cap kit FT320	1	1	1	n/a	n/a	1	1	n/a	n/a	1	1	1	1	n/a	n/a	1	1	n/a	n/a	1	1
15A	aluminum name plate - FT300	10099	1	1	n/a	n/a	n/a	n/a	n/a	n/a	n/a	n/a	n/a	1	1	n/a	n/a	n/a	n/a	n/a	n/a	n/a	n/a
15B	aluminum name plate - FT301	10100	n/a	n/a	n/a	1	1	n/a	n/a	n/a	n/a	n/a	n/a	n/a	n/a	1	1	n/a	n/a	n/a	n/a	n/a	n/a
15C	aluminum name plate - FT303	10228	n/a	n/a	n/a	n/a	n/a	1	1	n/a	n/a	n/a	n/a	n/a	n/a	n/a	n/a	1	1	n/a	n/a	n/a	n/a
15D	aluminum name plate - FT304	10101	n/a	n/a	n/a	n/a	n/a	n/a	n/a	1	1	n/a	n/a	n/a	n/a	n/a	n/a	n/a	n/a	1	1	n/a	n/a
15E	aluminum name plate - FT307	10283	n/a	n/a	n/a	n/a	n/a	n/a	n/a	n/a	n/a	1	1	n/a	n/a	n/a	n/a	n/a	n/a	n/a	n/a	1	1
15F	aluminum name plate-FT300GW	10099-002	n/a	n/a	1	n/a	n/a	n/a	n/a	n/a	n/a	n/a	n/a	n/a	n/a	n/a	n/a	n/a	n/a	n/a	n/a	n/a	n/a
16	assembly hardware	10106	1	1	1	1	1	1	1	1	1	1	1	1	1	1	1	1	1	1	1	1	1
17	nylon clamp assembly	10264	n/a	n/a	n/a	1	1	n/a	n/a	1	1	n/a	n/a	n/a	n/a	1	1	n/a	n/a	1	1	n/a	n/a
18A	ALH wear ring - 4 J slots	10366HC-001 (was FT9042)	n/a	n/a	n/a	1	n/a	1	n/a	1	n/a	1	n/a	n/a	n/a	1	n/a	1	n/a	1	n/a	1	n/a
18B	ALH wear ring - 3 J slots	10366HC-002 (was FT9041)	1	n/a	1	n/a	n/a	n/a	n/a	n/a	n/a	n/a	n/a	1	n/a	n/a	n/a	n/a	n/a	n/a	n/a	n/a	n/a
18C	stainless steel wear ring - 4 J slots	10366SS-001 (was FT9043)	n/a	n/a	n/a	n/a	1	n/a	1	n/a	1	n/a	1	n/a	n/a	1	n/a	1	n/a	1	n/a	1	1
18D	stainless steel wear ring - 3 J slots	10366SS-002 (was FT9044)	n/a	1	n/a	n/a	n/a	n/a	n/a	n/a	n/a	n/a	n/a	1	n/a	n/a	n/a	n/a	n/a	n/a	n/a	n/a	n/a
19	stainless steel lock washer	10375SS	4	4	4	4	4	4	4	4	4	4	4	4	4	4	4	4	4	4	4	4	4
20	stainless steel screw	10376SS	4	4	4	4	4	4	4	4	4	4	4	4	4	4	4	4	4	4	4	4	4
21	aluminum socket plate	10431AL	1	1	1	1	1	1	1	1	1	1	1	1	1	1	1	1	1	1	1	1	1
22	plastic black button insert	BLACK BUTTON INSERT	6	6	6	6	6	6	6	6	6	6	6	6	6	6	6	6	6	6	6	6	6
23	ground wire assembly	10735	n/a	n/a	1	n/a	n/a	n/a	n/a	n/a	n/a	n/a	n/a	n/a	n/a	n/a	n/a	n/a	n/a	n/a	n/a	n/a	n/a

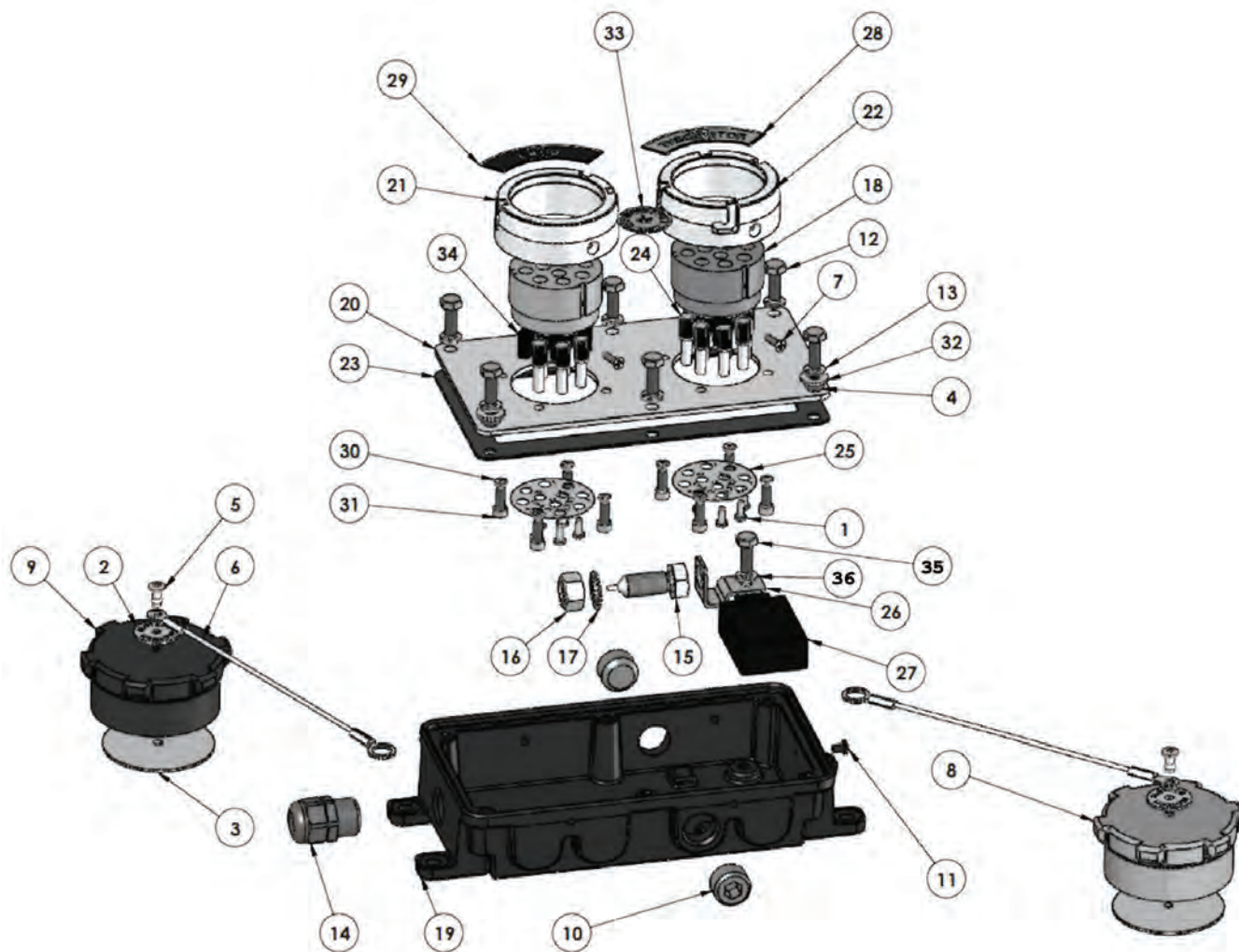
### Repair Kits

Part #	Description	Includes Item #
FT320	replacement blue (optic) vinyl cap assembly	6, 7, 9, 10, 14B
FT321	replacement green (thermistor) vinyl cap assembly	6, 7, 9, 10, 14A
FT310	face plate assembly - API optic ALH wear ring 6 pin 3 J Slots (US)	2 - 16, 18 - 22
FT310SS	face plate assembly - API optic SS GFL wear ring 6 pin 3 J Slots (US)	2 - 16, 18 - 22
FT311	face plate assembly - API Thermistor ALH wear ring 8 pin 4 J Slots (US)	2 - 22
FT311SS	face plate assembly - API Thermistor SS GFL wear ring 8 pin 4 J Slots (US)	2 - 22
FT313	face plate assembly - optic ALH wear ring 6 pin 4 J Slots (US)	2 - 16, 18 - 22
FT313SS	face plate assembly - optic SS GFL wear ring 6 pin 4 J Slots (US)	2 - 16, 18 - 22
FT314	face plate assembly - Thermistor ALH wear ring 10 pin 4 J Slots (Canada)	2 - 22
FT314SS	face plate assembly - Thermistor SS GFL wear ring 10 pin 4 J Slots (Canada)	2 - 22
FT317	face plate assembly - optic ALH wear ring 6 pin 4 J Slots (Canada)	2 - 16, 18 - 22
FT317SS	face plate assembly - optic SS GFL wear ring 6 pin 4 J Slots (Canada)	2 - 16, 18 - 22
FT9008	replacement contact block for FT300 Optic	2, 3, 5, 13
FT9009	replacement contact block for FT301 Thermistor	2, 3, 5, 13
FT9010	replacement contact block for FT304 10 pin Thermistor	2, 3, 5, 13
FT9013	replacement faceplate 4 J slot (no contact block or hardware)	4, 15B, 18A, 1921
FT9020	replacement socket pin, screw and crimp lug	3, 5
FT9034	replacement faceplate 3 J slot, (without contact block and hardware)	4, 15A, 18B, 1921
FT9046	replacement socket contact pins, and screws	3, 5
FT9068	replacement contact block attachment screws and washers (4 each)	19, 20

Overfill Replacement Parts

# Fuel Tanker Overfill Detection

## FT390/FT391 Series EZ-Cept Double Sockets



Overfill  
Replacement Parts

Product instruction sheets and technical data can be viewed on our website at [dixonvalve.com](http://dixonvalve.com)



# Fuel Tanker Overfill Detection

## FT390/FT391 Series EZ-Cept Double Sockets

### Bill of Materials

Item #	Description	Part #	FT390	FT390V	FT390G	FT390GT	FT390T	FT390-20	FT390G-20	FT391	FT391V
1	stainless steel screw	<b>10086</b>	16	16	16	16	16	16	16	16	16
2	aluminum name plate - socket washer	use kit <b>FT320 or FT321</b>	2	2	2	2	2	2	2	2	2
3	aluminum washer 2.500 x .0625	use kit <b>FT320 or FT321</b>	2	2	2	2	2	2	2	2	2
4	stainless steel spacer	<b>10089</b>	2	2	2	2	2	2	2	2	2
5	aluminum rivet .1875	use kit <b>FT320 or FT321</b>	2	2	2	2	2	2	2	2	2
6	stainless steel cable - socket 8"	use kit <b>FT320 or FT321</b>	2	2	2	2	2	2	2	2	2
7	stainless steel screw - contact block	<b>10094</b>	2	2	2	2	2	2	2	2	2
8	vinyl dust cap - thermistor (green)	use kit <b>FT321</b>	1	1	1	1	1	1	1	1	1
9	vinyl dust cap - optic (blue)	use kit <b>FT320</b>	1	1	1	1	1	1	1	1	1
10	polypropylene pipe plug	<b>10103</b>	2	2	2	2	2	2	2	2	2
11	steel screw - plug	<b>10105</b>	3	3	3	3	3	3	3	3	3
12	stainless steel screw	<b>10110</b>	6	6	6	6	6	6	6	6	6
13	stainless steel lock washer - 1/4"	<b>10111</b>	6	6	6	6	6	6	6	6	6
14	polyamide strain relief	<b>10139</b>	1	1	1	1	1	1	1	1	1
15	stainless steel ground bolt	<b>10223</b>	n/a	n/a	1	1	n/a	n/a	1	n/a	n/a
16	stainless steel nut - ground bolt 1/2"-13	<b>10224</b>	n/a	n/a	1	1	n/a	n/a	1	n/a	n/a
17	stainless steel lock washer internal tooth	<b>10225</b>	n/a	n/a	1	1	n/a	n/a	1	n/a	n/a
18	plastic contact block - socket short	<b>10254</b>	2	2	2	2	2	2	2	2	2
19	aluminum box - dual socket	<b>10364AL-001</b>	1	1	1	1	1	1	1	1	1
20	aluminum faceplate - dual socket	<b>10365AL</b>	1	1	1	1	1	1	1	1	1
21	stainless steel wear ring - 3 J Slot	<b>10366SS-002</b>	1	1	1	1	1	1	1	n/a	n/a
22	stainless steel wear ring - 4 J Slot	<b>10366SS-001</b>	1	1	1	1	1	1	1	2	2
23	cork gasket - lid	<b>10367CK</b>	1	1	1	1	1	1	1	1	1
24	stainless steel socket pin - short	<b>10368SS</b> (was FT9061)	16	16	16	16	16	16	16	16	16
25	vinyl label - socket contact	<b>10369VY</b>	2	2	2	2	2	2	2	2	2
26	stainless steel bracket - ground bolt	<b>10370SS</b>	1	1	1	1	1	1	1	1	1
27	T.I.M. Module	<b>10372</b>	n/a	n/a	n/a	1	1	n/a	n/a	n/a	n/a
28	aluminum name plate - thermistor	<b>10373AL</b>	1	1	1	1	1	1	1	1	1
29	aluminum name plate - optic	<b>10374AL</b>	1	1	1	1	1	1	1	1	1
30	stainless steel lock washer	<b>10375SS</b>	8	8	8	8	8	8	8	8	8
31	stainless steel screw	<b>10376SS</b>	8	8	8	8	8	8	8	8	8
32	stainless steel washer	<b>10382SS</b>	2	2	2	2	2	2	2	2	2
33	ground bolt label	<b>10621AL</b>	n/a	n/a	1	1	n/a	n/a	1	n/a	n/a
34	plastic black button insert	<b>BLACK BUTTON INSERT</b>	6	6	6	6	6	6	6	6	6
35A	stainless steel screw	<b>10110</b>	n/a	n/a	n/a	1	1	n/a	n/a	n/a	n/a
35B	stainless steel screw	<b>10377SS</b>	1	1	1	n/a	n/a	1	1	1	1
36	stainless steel lock washer - 1/4"	<b>10111</b>	1	1	1	1	1	1	1	1	1
not illustrated	20' cable, factory wired to sockets	<b>10387-20</b>	n/a	n/a	n/a	n/a	n/a	1	1	n/a	n/a

### Repair Kits

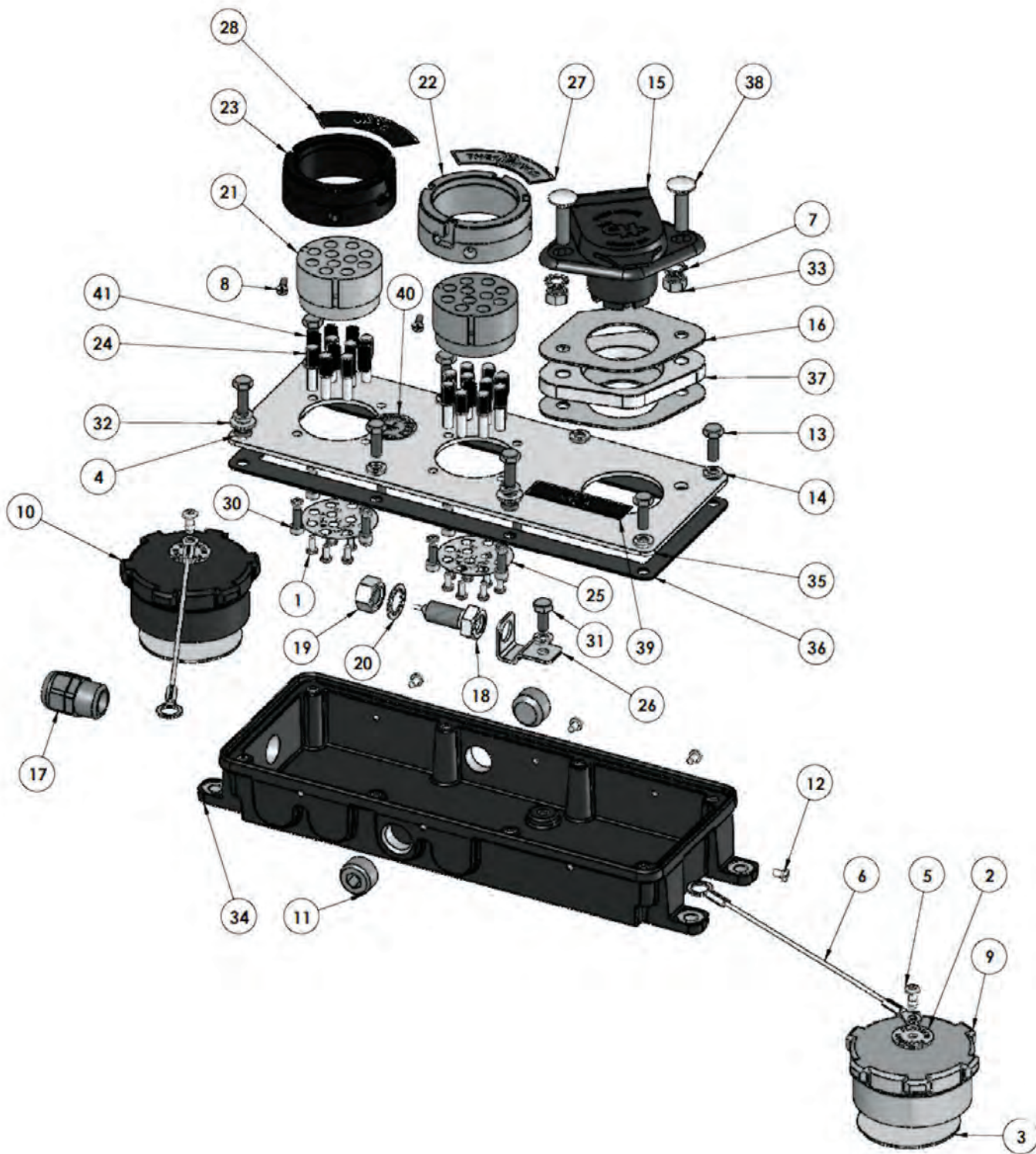
Part #	Description	Includes Item #
<b>FT320</b>	replacement blue (optic) vinyl cap assembly	2, 3, 5, 6, 9
<b>FT321</b>	replacement green (thermistor) vinyl cap assembly	2, 3, 5, 6, 8
<b>FT9051</b>	replacement contact block assembly for FT390/FT393 Optic 6 pin	1, 7, 18, 24, 25
<b>FT9052</b>	replacement contact block assembly for FT390/FT393 Thermistor 10 pin	1, 7, 18, 24, 25
<b>FT9062</b>	replacement nose ring, contact assembly, Thermistor 4J slot, 10 pin	1, 7, 18, 22, 24, 25
<b>FT9063</b>	replacement nose ring, contact assembly, Optic 3J slot, 6 pin	1, 7, 18, 21, 24, 25
<b>FT9068</b>	replacement contact block attachment screws and washers (4 each)	30, 31

Product instruction sheets and technical data can be viewed on our website at  
dixonvalve.com



# Fuel Tanker Overfill Detection

## FT393/394/395 Series EZ-Cept Triple Sockets



Product instruction sheets and technical data can be viewed on our website at [dixonvalve.com](http://dixonvalve.com)

# Fuel Tanker Overfill Detection

## FT393/394/395 Series EZ-Cept Triple Sockets

### Bill of Materials

Item #	Description	Part #	FT393	FT394	FT394G	FT394V-G	FT395	FT395V	FT395G	FT395V-G
1	stainless steel screw	<b>10086</b>	16	16	16	16	16	16	16	16
2	aluminum name plate - socket washer	<b>10087</b>	2	2	2	2	2	2	2	2
3	aluminum washer 2.500 x .0625	use kit <b>FT320 or FT321</b>	2	2	2	2	2	2	2	2
4	stainless steel spacer	use kit <b>FT320 or FT321</b>	2	2	2	2	2	2	2	2
5	aluminum rivet .1875	use kit <b>FT320 or FT321</b>	2	2	2	2	2	2	2	2
6	stainless steel cable - socket 8"	use kit <b>FT320 or FT321</b>	2	2	2	2	2	2	2	2
7	stainless steel lock washer	<b>10092</b>	2	2	2	2	2	2	2	2
8	stainless steel screw - contact block	<b>10094</b>	2	2	2	2	2	2	2	2
9	vinyl dust cap - thermistor (green)	use kit <b>FT321</b>	1	1	1	1	1	1	1	1
10	vinyl dust cap - optic (blue)	use kit <b>FT320</b>	1	1	1	1	1	1	1	1
11	polypropylene pipe plug	<b>10103</b>	2	2	2	2	2	2	2	2
12	steel screw - plug	<b>10105</b>	4	4	4	4	4	4	4	4
13	stainless steel screw	<b>10110</b>	8	8	8	8	8	8	8	8
14	stainless steel lock washer - 1/4"	<b>10111</b>	9	9	9	9	9	9	9	9
15	J560 socket	<b>10119 (was FT9029)</b>	1	1	1	1	1	1	1	1
16	neoprene gasket, float socket	<b>10121</b>	2	2	2	2	2	2	2	2
17	polyamide strain relief	<b>10139</b>	1	1	1	1	1	1	1	1
18	stainless steel ground bolt	<b>10223</b>	n/a	n/a	1	1	n/a	n/a	1	1
19	stainless steel nut - ground bolt 1/2"- 13	<b>10224</b>	n/a	n/a	1	1	n/a	n/a	1	1
20	stainless steel lock washer internal tooth	<b>10225</b>	n/a	n/a	1	1	n/a	n/a	1	1
21	plastic contact block - socket short	<b>10254</b>	2	2	2	2	2	2	2	2
22	stainless steel wear ring - 4 J Slot	<b>10366SS-001 (was FT9044)</b>	1	1	1	1	2	2	2	2
23	stainless steel wear ring - 3 J Slot	<b>10366SS-002 (was FT9043)</b>	1	1	1	1	n/a	n/a	n/a	n/a
24	stainless steel socket pin - short	<b>10368SS (was FT9061)</b>	16	16	16	16	16	16	16	16
25	vinyl label - socket contact	<b>10369VY</b>	2	2	2	2	2	2	2	2
26	stainless steel bracket - ground bolt	<b>10370SS</b>	1	1	1	1	1	1	1	1
27	aluminum name plate - thermistor	<b>10373AL</b>	1	1	1	1	1	1	1	1
28	aluminum name plate - optic	<b>10374AL</b>	1	1	1	1	1	1	1	1
30	stainless steel screw	<b>10376SS</b>	8	8	8	8	8	8	8	8
31	stainless steel screw	<b>10377SS</b>	1	1	1	1	1	1	1	1
32	stainless steel washer	<b>10382SS</b>	2	2	2	2	2	2	2	2
33	stainless steel nut	<b>10508SS</b>	2	2	2	2	2	2	2	2
34	aluminum box - 3 socket	<b>10525AL</b>	1	1	1	1	1	1	1	1
35	aluminum faceplate - three socket	<b>10526AL</b>	1	1	1	1	1	1	1	1
36	cork gasket - lid	<b>10527CK</b>	1	1	1	1	1	1	1	1
37	acetal spacer	<b>10529AC</b>	1	1	1	1	1	1	1	1
38	stainless steel carriage bolt	<b>10530SS</b>	2	2	2	2	2	2	2	2
39A	aluminum name plate - optic (blue)	<b>10558AL</b>	n/a	1	1	1	1	1	1	1
39B	aluminum name plate - float (red)	<b>10531AL</b>	1	n/a	n/a	n/a	n/a	n/a	n/a	n/a
40	aluminum label - ground bolt	<b>10621AL</b>	n/a	n/a	1	1	n/a	n/a	1	1
41	plastic black button insert	<b>BLACK BUTTON INSERT</b>	6	6	6	6	6	6	6	6

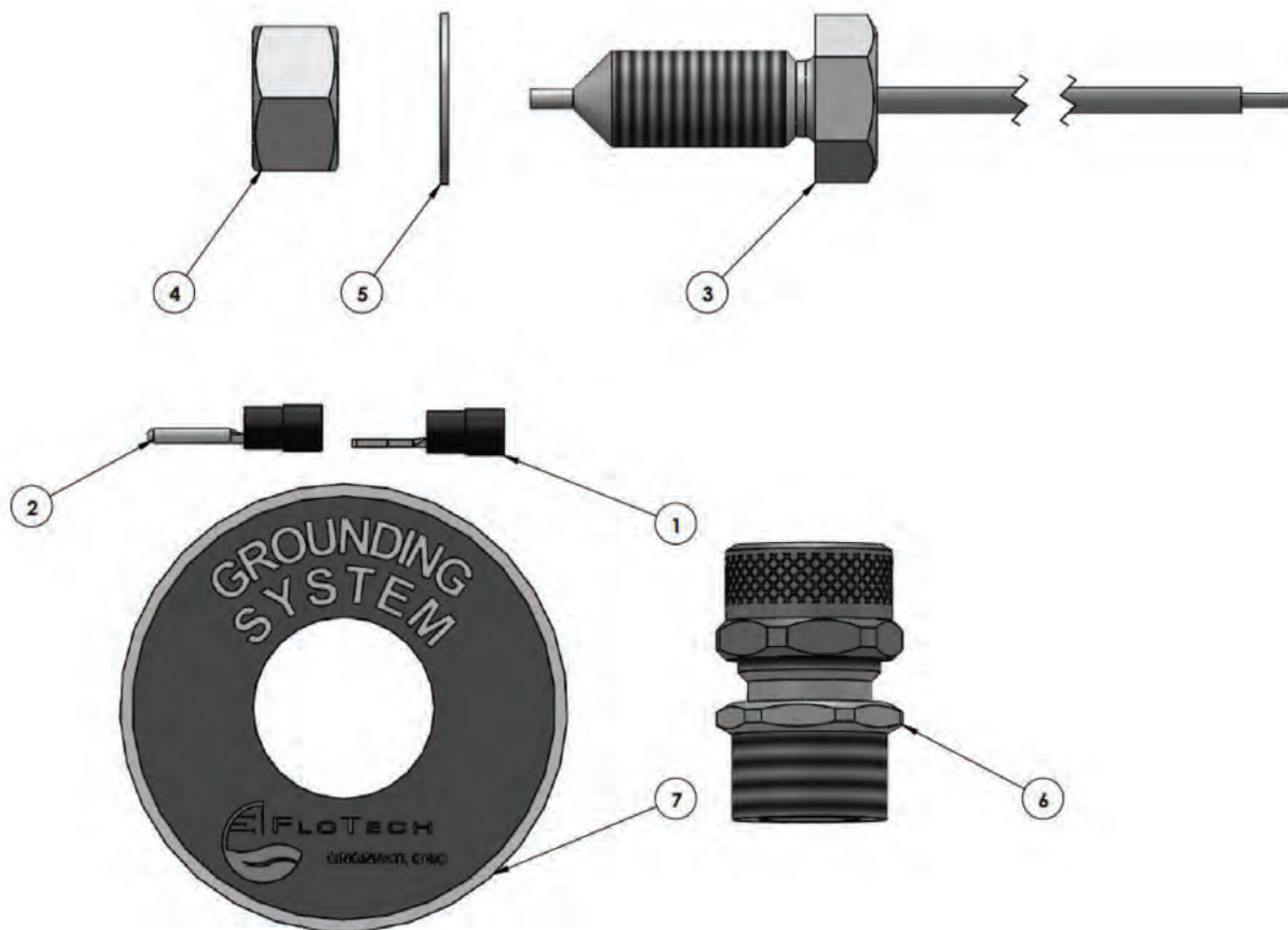
### Repair Kits

Part #	Description	Includes Item #
<b>FT320</b>	replacement blue (optic) vinyl cap assembly	2, 3, 5, 6, 9
<b>FT321</b>	replacement green (thermistor) vinyl cap assembly	2, 3, 5, 6, 10
<b>FT9051</b>	replacement contact block assembly for FT390/FT393 Optic 6 pin	1,8, 21, 24, 25
<b>FT9052</b>	replacement contact block assembly for FT390/FT393 Thermistor 10 pin	1,8, 21, 24, 25
<b>FT9062</b>	replacement nose ring,contact assembly, Thermistor 4J slot, 10 pin	1, 8, 21, 22, 24, 25
<b>FT9063</b>	replacement nose ring,contact assembly, Optic 3J slot, 6 pin	1, 8, 21, 22, 24, 25
<b>FT9068</b>	replacement contact block attachment screws and washers (4 each)	29, 30

Product instruction sheets and technical data can be viewed on our website at  
dixonvalve.com

# Fuel Tanker Overfill Detection

## FT450 Ground Bolt



### Bill of Materials

Item #	Description	Part #	Qty
1	locking spade	<b>10102</b>	1
2	terminal pin	<b>10123</b>	1
3	stainless steel ground bolt	<b>10223</b>	1
4	stainless steel nut - ground bolt 1/2" - 13	<b>10224</b>	1
5	stainless steel lock washer internal tooth	<b>10225</b>	1
6	strain relief 1/2" NPT	<b>10229</b>	1
7	aluminum label - ground bolt	<b>10562</b>	1

Replacement Parts  
Overfill

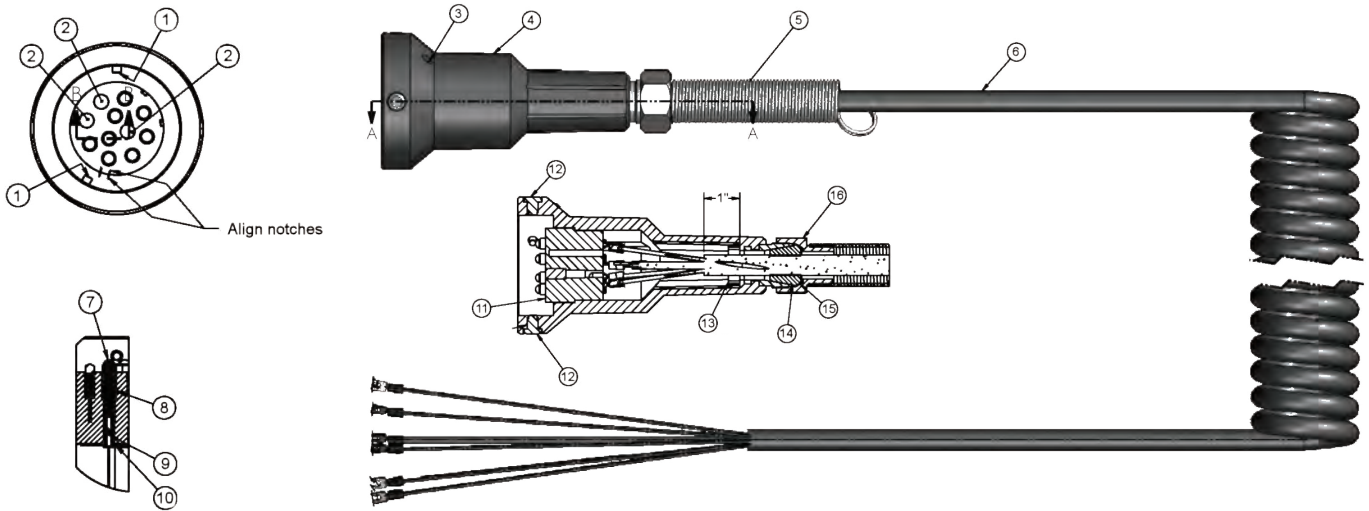
Product instruction sheets and technical data can be viewed on our website at [dixonvalve.com](http://dixonvalve.com)





# Fuel Tanker Overfill Detection

## Rack Cords



### Bill of Materials

Item #	Description	Part #	FT600	FT600C	FT600S	FT600SC	FT620	FT620S
1	bayonet stud	10718SS	2	4	2	4	3	3
2	plastic black pin insert	BLACK BUTTON INSERT	3	1	3	1	5	5
3	stainless screw	10717SS	1	1	1	1	5	1
4A	green "thermistor" glass reinforced nylon plug body	10523NY-004	1	1	1	1	n/a	n/a
4B	blue "optic" glass reinforced nylon plug body	10523NY-003	n/a	n/a	n/a	n/a	1	1
5	stainless, cable bend restrictor spring	10250	1	1	1	1	1	1
6A	thermistor cable assembly 30' coiled (US)	10259	1	n/a	n/a	n/a	n/a	n/a
6B	thermistor cable assembly 30' coiled (Canada)	10259-C	n/a	1	n/a	n/a	n/a	n/a
6C	thermistor cable assembly 20' straight (US)	10259-S	n/a	n/a	1	n/a	n/a	n/a
6D	thermistor cable assembly 20' straight (Canada)	10259-CS	n/a	n/a	n/a	1	n/a	n/a
6E	optic cable assembly 30' coiled (US)	10290	n/a	n/a	n/a	n/a	1	n/a
6F	optic cable assembly 30' straight (US)	10290-S	n/a	n/a	n/a	n/a	n/a	1
7	plug pin	10550SS	8	10	8	10	6	6
8	stainless plug spring	10253	8	10	8	10	6	6
9	set screw	10260	8	10	8	10	6	6
10	retaining ring	10252	8	10	8	10	6	6
11	long plastic contact block	10524PL-001	1	1	1	1	1	1
12	aluminum bayonet pin plug	10718PLUG	2	4	2	4	n/a	n/a
13	stainless double ear pinch on clamp	SINGLE1518R	1	1	1	1	1	1
14	cord grip bushing	10715NP	1	1	1	1	1	1
15	cord grip washer	10716ST	1	1	1	1	1	1
16	aluminum strain relief nut	10249	1	1	1	1	1	1

### Repair Kits

Part #	Description	Includes Item #
FT601	replacement thermistor plug assembly, 8 pin 2 J slot (US)	1-4A,5, 7-11,14-16
FT601-4	replacement green plug assembly with 8 contact pins and 4 J slots	1-4A,5, 7-11,14-16
FT601-10	replacement thermistor plug assembly, 10 pin 4 J slot (Canada)	1-4A,5, 7-11,14-16
FT602	replacement 30' orange coiled cord, Thermistor 10 conductor	6B, 13
FT604	replacement 20' orange straight cord, Thermistor 10 conductor	6D, 13
FT621	replacement optic plug assembly, 6 pin 3 J slot (US)	1-4B,5,7-11,14-16
FT622	replacement 30' orange coiled cord, Optic 6 conductor	6E, 13
FT624	replacement 20' orange straight cord, Optic 6 conductor	6F, 13



# Description Index

## A

Adapters .....	3, 4, 7, 8, 15, 17, 19, 24, 25, 28, 29
Bayonet Style .....	28, 29
Dry Disconnects .....	24–25, 28, 29
Female NPS Vapor .....	25
In-Ground Tank .....	17
Jump Size Female NPT .....	25
Side Seal to Top Seal .....	15
Tank Cabinet "Dummy" Weld-on .....	15
Air Interlock Valves .....	21
API .....	4, 6, 7, 12, 30, 40, 43, 51, 52, 54, 55, 59, 60, 62, 63, 68-70, 72
Compatible Loading Rack Cords .....	62
Couplers .....	30
Drop Adapters .....	7, 8
Dust Caps .....	7
Gaskets .....	12
Optic Cord Assemblies .....	62, 69
Thermistor Cord Assemblies .....	63, 69
Valves .....	6

## B

Breakaways .....	37
Bulk Delivery .....	33

## C

Cables and Strain Reliefs .....	59
Cam and Groove .....	11, 24, 26, 27
Caps .....	3, 7, 17, 19, 22, 38
Automatic Pressure/Vacuum Relief .....	38
In-Ground Tank .....	17
Locking Fill .....	3
Orange Vapor .....	19
Tanker Pipe .....	22
Vent .....	38
Clamps .....	31
Groove .....	31
Competitor Cross Reference Chart .....	1, 68, 69, 70, 71
Couplers .....	24, 26, 27, 28, 30
Bayonet Style .....	28, 29
Female NPT Swivel .....	26
Greaseless Female NPT .....	26
Couplings .....	4, 19, 24, 26, 27, 28
Bayonet Style .....	28, 29
Dry Disconnects .....	24–28
Vapor Hose .....	19

## D

Drop Adapters .....	2, 3, 7, 8
Dry Disconnects .....	24–28
Adapters .....	24–25
Bayonet Style .....	28, 29
Cam and Groove Style .....	24–27
Caps .....	29
Couplers .....	26–28
Handle Locking Kits .....	27
Plugs .....	29
Dust Caps .....	7, 23
Dust Plugs .....	23

## E

Elbows .....	2, 4, 13, 14, 15, 16, 18
6200 and 6500 Series .....	13
Dual Point .....	18
Fuel Delivery .....	13–18
Height Extensions .....	15
Inlets .....	14
Side Seal .....	14
Single Point Coaxial .....	16
Vapor Recovery .....	16–18

**F**

Flanges .....	3, 11, 12, 19, 20, 25
150# Adapter .....	25
Cam and Groove .....	11
Gaskets .....	12
Reducer .....	12
Sight Flow Indicators .....	9, 10
TTMA .....	3, 4, 6, 9, 10, 11, 12, 19, 20, 30
FloTech .....	3, 4, 39–63
API Optic 5 Wire .....	1, 51, 52
Onboard Monitor .....	52
Overfill Sensors .....	52
Replacement Probes .....	52
Checkmate Overfill Detection Systems .....	46
Checkmate Overfill/Retain .....	41, 42, 43, 44, 45, 46, 47, 58
Monitor .....	47
Overfill Sensors .....	47
Replacement Probes .....	47
Retain Sensors .....	47
Checkmate Overfill/Retain Plug-n-Play System .....	41–47
Replacement Probes .....	44
Retain Sensors .....	44
Wiring Harnesses .....	45
FT151RL ROM Link .....	65
Replacement Sensor .....	65
Monitors .....	1, 41, 42, 43, 45, 47, 49, 52, 68
Reelcraft® Static Discharge Reels .....	63
Replacement Parts .....	66, 67
R/OM Type Overfill .....	1, 48, 50
Monitor .....	49
R/OM Type Overfill/Retain .....	1, 48, 50
Replacement Probes .....	49
Trailer Identification Module .....	59
Truck Tester .....	61
Fuel Compatibility Chart .....	4
Fuel Delivery .....	13–18
6200 and 6500 Series .....	13
Coaxial Elbow-Replacement Fuel Inlets & Vapor Outlets .....	15
Connectors .....	14
Elbow Inlets .....	14
Elbows .....	13, 14
Side Seal .....	14, 15
Single Point Coaxial .....	16
Straight Drop .....	14
Tank Cabinet "Dummy" Weld-on .....	15
Top Seal .....	15
Fuel Tanker .....	1, 6, 7, 8, 9, 10, 11, 12, 22, 23, 31, 40–65
Hose Tube Doors .....	22
Ladder Step .....	22
Fuel Tanker Loading and Unloading .....	6, 7, 8, 9
Fuel Tanker Overfill Detection .....	1, 40–65
Fuel Vapor Recovery .....	19, 20, 21
<b>G</b>	
Gaskets .....	3, 4, 12, 31
Grounding Balls .....	1, 22, 58
Grounding Bolt .....	58
<b>H</b>	
Hose Tube Doors .....	22
<b>I</b>	
In-Ground Tank Adapters .....	17
<b>L</b>	
Ladder Step .....	22
<b>M</b>	
Monitors .....	1, 41, 42, 43, 45, 47, 49, 52, 68
<b>N</b>	
Nozzles .....	32–36
Aircraft Over Wing .....	36
Ball .....	34
Quick Fill Swivel Nuts .....	34
Replacement Spouts .....	34
Big Mouth™ Diesel .....	32
Breakaways .....	37
DEF Automatic Shutoff .....	32
Farm and Consumer .....	32
Fueler 100™ Automatic Diesel .....	33
Fuel Master™ Diesel .....	32

Pressure .....	33
Bulk Delivery .....	33
Replacement Spouts .....	33
Spouts .....	33, 34, 35
Standard- Low Pressure/Gravity Utility .....	35
Replacement Spouts .....	35
Swivels .....	36, 37

## O

Optic System Tester .....	60
Overfill Detection .....	39–65

## P

Plug-n-Play System .....	41, 42, 43, 44, 45
Pressure .....	33
Probes .....	1, 40, 44, 47, 49, 50, 52, 53, 65

## R

Recommendations .....	5
Bottom Loading, Gasket and Seal .....	5
Replacement Parts	
4" Vapor Cap .....	93
5 Wire, API Optic On-Board Monitor .....	149
400-DC-ALPH Dust Cap with Handle .....	105
500AV and 525AV Angle Valves .....	131
4500 Drop Adapter Mounting Ring .....	82
4500 Series Drop Adapter Outlets .....	82
4530 and 4540 Series Gravity Drop Adapter .....	81
4530SG and 4540SG (with Sight Glass) Gravity Drop Adapters .....	81
5000-24 API Dust Cap .....	79
5000-24L Lockable API Cap .....	80
5000-25 API Dust Cap .....	79
5000AIR Series .....	102, 103, 104
5000AI Series .....	103
5000AIV Series .....	104
5006AIHD Series Heavy Duty Air Interlock Valve .....	105
5200-SFI Series, Sight Glass .....	83
5204 Series, API Bottom Load Valves .....	77–78
5205 API Dust Cap .....	79
5300/5400 Series API Couplers .....	74, 76
6000AS Series Side Seal Elbow .....	88
6000-SSA Series 4" Side Seal Adapter .....	88

6303 and 6304 Series Straight Drop .....	86
6400 Series Co-axial Drop Elbow .....	87
Aviation Nozzles .....	128
BA/BS/BSS Series Bayonet Style Dry Disconnect ..	124–125
BL Ball Nozzles .....	132–133
BL Super Ball Nozzles .....	134–135
Bottom Unit, for "D" Handle Elbows .....	84
Bottom Unit, for Side Lever Elbows .....	85
Bulk Delivery Nozzles .....	126
"Checkmate" Black & White 2 Wire .....	151
D2C Cam and Groove Actuator Style Dry Disconnect ...	120
DBA Cam and Groove Dry Disconnect .....	106–107
DBAF Cam and Groove Dry Disconnect .....	109
DBC Cam and Groove Dry Disconnect .....	110–117
DBS 90° Swivel Cam and Groove Dry Disconnect .	118–119
DBVA Cam and Groove Dry Disconnect .....	108
Drop Elbow Inlets .....	83
Dry Disconnect Bayonet Style Adapter .....	121
Dry Disconnect Bayonet Style Coupler .....	122–123
EZ-Cept Double Sockets .....	155–156
EZ-Cept Triple Sockets .....	157–158
FT450 Ground Bolt .....	159
Gravity Nozzle .....	129
Hose Shank and Check Valve Swivels .....	131
Overfill Sensor Housings .....	147–148
Plug-n-Play .....	136–146
Rack Cords .....	160, 161
Retain Sensor Housings .....	148
R/OM Type Red & Black 2 Wire, Onboard Monitor .....	150
SA4050AL Cap .....	93
Single J560 Sockets .....	152
Single J Slot Sockets .....	153–154
SWMF125, SWMF150 and SWMF200 Swivels .....	130
TDF Series Tube Doors .....	102
TL4070BZ Series Bronze Cap .....	93
Top "D" Handle Elbow .....	84
Top Side Lever Elbow .....	85–86
Utility Nozzle .....	129
VR3100 Series 3" Vapor Hose Valve .....	94
VR4000 Series 4" Vapor Hose Valve .....	94
VR4030CS-AL Vapor Hose Coupler .....	96, 97
VR4030CS-NP Vapor Hose Coupler .....	98
VR4050PL Series 4" Nylon Vapor Cap .....	93
VR4086 Series Vapor Adapter .....	95
VR4100F Series Vapor Hose Valve .....	95
VR4100 Series 4" Vapor Hose Valve .....	94
VR6000NP Series Vapor Elbows .....	92
VR6030SQ Series .....	99

VR6035Q Series .....	100	Two Way-3 Port Diverting Ball.....	23
VR6100 Series Vapor Elbows .....	89	Vapor Return .....	19
VR6200 Series Vapor Elbows .....	90	Vapor Recovery .....	16, 17, 18, 19, 20, 21
VR6500 Series Vapor Elbows .....	91	Dual Point Elbows .....	18
VRC3000AL Vapor Hose Coupler .....	98	Elbows.....	16, 18
VRP3500 and VRP3600 Series Outbreathing Vent .....	101	Hose Couplings .....	19
VRV3501 Series Inbreathing Vent.....	101	Orange Vapor Caps.....	19
Retain Sensors .....	1, 44, 47, 49	Single Point Coaxial .....	16
		Vents .....	2, 4, 20, 38
		Caps.....	38
		Inbreathing and Outbreathing.....	20

## S

Sensor Dummy.....	58
Sensor Housings .....	1, 53
Sensors .....	1, 4, 40, 44, 47, 49, 52, 68
Sequential Vapor Vents .....	20
Sight Flow Indicators .....	9, 10
Sockets .....	41, 42, 48, 54, 55, 56, 57, 69
Dual.....	41, 42, 43, 73
EZ-Cept Double.....	56
EZ-Cept Triple .....	57
Single .....	43
Socket Profiles .....	1, 72, 73
Stand Alone .....	43
Triple .....	43, 73
Static Grounding Balls.....	22
Swivels .....	36

## T

Trailer Identification Module (T.I.M.) Chip Reader .....	1, 60
TTMA .....	3, 4, 6, 9, 10, 11, 12, 19, 20, 30
Butterfly Valve Spacer .....	12
Flanged Sight Flow Indicators.....	9, 10
Flange Reducer.....	12
Flange x Cam and Groove .....	11
Gaskets .....	12

## V

Valves .....	2, 4, 6, 12, 18, 19, 21, 23, 27
Air Interlock .....	3
Heavy Duty 6-Port.....	21
Standard.....	21
Load Only .....	6
Load/Unload .....	6
One Way Full Flow Ball .....	23

# Part Number Index

100202.....	95	10126.....	145, 147
10031100202.....	102	10128.....	145, 147
10031.....	141, 152, 154	10131.....	149, 150
10038.....	141, 152, 154	10134.....	146, 148
10077.....	149	10136.....	149, 150
10078.....	150	10139.....	137, 138, 144, 156, 158
10079.....	149	10142.....	149
10086.....	137, 142, 144, 149, 150, 154, 156, 158	10143.....	150
10087.....	144, 158	10183.....	147
10089.....	137, 142, 154, 156	10183-P&P.....	145
10092.....	141, 144, 152, 154, 158	10185.....	145, 147
10093.....	141, 152, 154	10196.....	137, 138, 150, 151
10094.....	137, 142, 144, 154, 156, 158	10200A.....	137, 138, 150, 151
10095.....	141, 152	10203.....	147
10099.....	154	10204.....	145
10099-002.....	154	10207.....	149
100AV-12.....	128	10212.....	145, 147
100AV-15.....	128	10213.....	145, 147
100AV-17.....	128	10223.....	142, 144, 156, 158, 159
10100.....	154	10224.....	142, 144, 156, 158, 159
10101.....	154	10225.....	142, 144, 156, 158, 159
10102.....	159	10228.....	154
10103... 137, 138, 141, 142, 144, 146, 147, 148, 149, 150, 151, 152, 156, 158		10229.....	159
10105.....	142, 144, 156, 158	10235.....	141, 152
10106.....	154	10244.....	152
10107A.....	147	10248.....	145, 146
10109-PP.....	145	10249.....	160, 161
10110.....	137, 142, 144, 149, 150, 156, 158	10250.....	160, 161
10111.....	119, 137, 142, 144, 145, 147, 149, 150, 156, 158	10252.....	160, 161
10119.....	141, 144, 152, 158	10253.....	160, 161
10120.....	141, 152	10254.....	137, 142, 144, 156, 158
10121.....	141, 144, 152, 158	10259.....	161
10122.....	152	10259-C.....	161
10123.....	141, 152, 159	10259-CS.....	161
10124.....	145, 147	10259-S.....	161
10125.....	145, 147	10260.....	160, 161
		10264.....	152, 154
		10283.....	154
		10285-003.....	160
		10290.....	161
		10290-002.....	160
		10290-S.....	161
		10343.....	146, 148
		10347.....	146, 148
		10356.....	138, 149, 150, 151
		10357.....	149
		10358.....	138, 150, 151



10364AL-001.....	142, 156	10530SS.....	144, 158
10365AL.....	142, 156	10531AL.....	158
10366HC-001.....	154	10540SS.....	148
10366HC-002.....	154	10541AL.....	148
10366SS-001.....	137, 142, 144, 154, 156, 158	10542BN.....	148
10366SS-002.....	137, 142, 144, 154, 156, 158	10550SS.....	160, 161
10367CK.....	142, 156	10554SS.....	148
10368SS.....	137, 142, 144, 154, 156, 158	10558AL.....	144, 158
10369VY.....	142, 144, 156, 158	10562.....	159
10370SS.....	142, 144, 156, 158	10596PLAC.....	137
10372.....	137, 156	10597CK.....	137
10373AL.....	137, 142, 144, 156, 158	10598AL.....	137
10374AL.....	137, 142, 144, 156, 158	10599AL.....	137
10375SS.....	137, 138, 142, 144, 146, 148, 151, 154, 156	10600AL.....	137
10376SS.....	137, 142, 144, 146, 148, 154, 156, 158	10601.....	137
10377SS.....	142, 144, 156, 158	10602BR.....	137
10382SS.....	137, 142, 144, 156, 158	10603BR.....	137
10387-20.....	156	10605PL.....	139, 141, 142, 144, 65
10387P-20.....	139, 141, 142, 144	10606AC-002.....	137
10430AL.....	138, 151	10612.....	137
10431AL.....	154	10616PLBN.....	137, 138
10432NP.....	137, 138, 151	10621AL.....	137, 142, 144, 156, 158
10433PL.....	137, 138, 151	10622.....	60
10434AL.....	138, 151	10638.....	145, 146
10435AL.....	138, 151	10639.....	138
10436SS.....	137, 138, 151	10688.....	65
10437SS.....	137, 138, 151	10690PL-001.....	154
10438A.....	137, 138, 151	10715NP.....	160, 161
10459.....	137, 138, 150, 151	10716ST.....	160, 161
10460.....	150	10717SS.....	160, 161
10465.....	137, 138, 151	10718PLUG.....	161
10470AL.....	149, 150	10718SS.....	161
10471NY.....	148	10735-002.....	137
10471NY-P&P.....	146	10841SS.....	145, 147
10476AL.....	146, 148	110088.....	128
10477SS.....	146, 148	110319.....	91
10507SS.....	141, 152	110601.....	87
10508SS.....	141, 144, 152, 158	110717.....	101
10520PL.....	150	110746.....	126, 128
10521NP.....	150	110748.....	94
10523NY-003.....	160, 161	110798.....	126, 128
10523NY-004.....	161	110892.....	95
10524PL-001.....	160, 161	110897.....	102
10525AL.....	144, 158	110928.....	102
10526AL.....	144, 158	111196.....	102
10527CK.....	144, 158	111542.....	78
10529AC.....	144, 158	111550.....	78

111552.....	78	112099.....	129
111553.....	78	112138-L.....	89
111554.....	78	112242.....	86, 91
111556.....	78	112245.....	89
111557.....	78	112260.....	102
111559.....	78	112261.....	102
111560.....	78	112262.....	97
111561.....	78	112263.....	97
111562.....	78, 95	112264.....	97
111563.....	78	112269.....	94
111564.....	78	112270.....	94, 95
111565.....	78	112271.....	95
111566.....	78	112370.....	104
111569.....	78	112416.....	97
111570.....	95	1125A.....	126, 33, 34
111572.....	95	1125A-125NPT.....	33
111573.....	78	1125B.....	126, 33
111574.....	78	112D.....	33
111575.....	95	112DAL-9.....	126
111579.....	78	112DNS.....	33
111580.....	78	112DSK.....	126
111679.....	99	114/2D-TK.....	126, 128
111680.....	99	1143A.....	127, 33, 34
111681.....	99	1143B.....	127, 33
111683.....	99	114D.....	33
111686.....	99	114D-AV.....	36
111687.....	99	114D-AV-06ASM.....	36
111689.....	100	114DAL-10.....	126, 127, 128
111692.....	83, 99	114DAL-2.....	127
111693.....	99	114DAL-3.....	128
111694.....	99	114DAL-4.....	128
111723.....	87	114DAL-AV-19.....	126, 128
111727.....	86	114DAL-AV-20.....	128
111728.....	86, 91	114DAL-AV-22.....	128
111729.....	86	114DAVR.....	36
111730.....	86	114DNS.....	33
111733.....	95	114DSK.....	127
111SS3.....	102	1200SK.....	131
112012.....	84, 85, 87, 90	1250-2.....	129
112028.....	83	1250-3.....	129
112044.....	95	1250-94.....	33
112052.....	81	1250SK.....	129
112053.....	81	1250TK.....	129
112055.....	83	1500SK.....	131
112056.....	83	1518R.....	160
112097.....	83	1565U.....	36
112098.....	83	1570RK.....	131

1WAYBV200.....	23	400GTTFCB.....	12
1WAYBV300.....	23	40322TF.....	12
1WAYBV400.....	23	40323TF.....	12
1WAYBV200SW.....	23	300GTTFK.....	12
1WAYBV300SW.....	23	3040ALTAL.....	11
1WAYBV200VIC.....	23	3040DLTAL.....	11
1WAYBV300VIC.....	23	31440-225AL.....	8
200-G-BU.....	111	325-P.....	105, 96
200-G-EPR.....	111	340164.....	126
200-G-TES.....	111	340165.....	128
200-G-TFVI.....	111	340304.....	95
200-G-VI.....	111	340331.....	95
200-PV-9.....	38	341641.....	100
2000L.....	38	341643.....	99
2500L.....	38	341709.....	86
234-80-4.....	129, 35	341755.....	78
234-80-5.....	129, 35	341756.....	78
241667.....	83	341784.....	91
241964.....	83	341801.....	78
242028.....	83	341819.....	97
242055.....	83	341820.....	97
250-G-BU.....	113, 114	390104.....	102
250-G-EPR.....	113, 114	390105.....	102
250-G-TES.....	113, 114	390552.....	101
250-G-TEV.....	114	390564.....	82
250-G-TFVI.....	113	390812.....	78
250-G-VI.....	113, 114	390813.....	78
2500SFV.....	38	390815.....	78
2WAYBV200.....	23	390822.....	100, 99
2WAYBV300.....	23	390826.....	99
2WAYBV400.....	23	390841.....	86
2WAYBV200SW.....	23	390842.....	92
2WAYBV300SW.....	23	390843.....	83
2WAYBV200VIC3.....	23	390844.....	83
2WAYBV300VIC3.....	23	391137.....	34
300-ALT-AL.....	11	391149.....	83
300-DC-ALPH.....	23	391848.....	102
300-DLT-AL.....	11	391858.....	102
300-DP-ALPH.....	23	391859.....	83
300-G-BF.....	83	391860.....	97
300-G-BU.....	98	391866.....	97
300-HR-BR.....	105, 96	391868.....	97
300-HRP-BR.....	79, 81, 82, 83, 96, 98	400-ALT-AL.....	11
300GTTFBL.....	12	400-CVR-AL.....	19
300GTTFCB.....	12	400-DC-ALPH.....	105, 23
40321TF.....	12	400-DDVR-AL.....	19
40364TF.....	12	400-DLT-AL.....	11

400-DP-ALPH.....	23	40083SS.....	113, 114, 119
400-DVR-AL.....	19	40084TF.....	113, 114, 119
400-G-BF.....	81, 82, 83	40085BN.....	113, 114, 119
400-G-BU.....	105, 93, 96, 98	40085EP.....	113, 114
40001AL.....	106	40085KR.....	113, 114
40001SS.....	106	40085TS.....	113, 114, 119
40001ZA.....	106	40085TV.....	113, 114
40002AL.....	106	40085VI.....	113, 114, 119
40002SS.....	106	40086SS.....	111, 114, 119
40003AL.....	106	40087SS.....	111, 114, 116, 119
40003SS.....	106	40088SS.....	111, 114, 119, 125
40004SS.....	106, 108, 109	40089SS.....	111, 114, 119
40005BR.....	106	40090BN.....	145, 147
40005SS-001.....	106	40091SS.....	113, 114, 119
40005SS-002.....	106	40092SS.....	113, 114, 119
40006BN.....	109	40093SS.....	113, 114, 119
40006EP.....	109	40094SS.....	111, 114, 119
40006KR.....	109	40095TF.....	113, 114, 119
40006TS.....	108, 109	40096SS.....	114
40006VI.....	109	40097SS.....	113, 114, 119
40022ALTAL.....	11	40098SS.....	113, 114, 119
40022DLTAL.....	11	40099SS.....	111, 114, 119, 148
400460.....	86	400AWSPAL.....	15
40053SS.....	121	400GTTFBL.....	12
40054BR.....	121	400GTTFK.....	12
40055SS.....	121	40100SS.....	111, 114, 119
40056SS.....	121	40101SS.....	111, 114, 119
400588.....	86	40106AC.....	119
400636.....	99	40108AC.....	119
400637.....	92	40109AC.....	119
40074SS.....	111, 114, 119	40110ST.....	119
40075TF.....	111, 114, 119	40111SS.....	119
40076BN.....	111, 114, 119	40114SS.....	111
40076EP.....	111, 114	40115SS.....	111
40076KR.....	111, 114, 119	40116SS.....	111
40076VI.....	111, 114, 119	40117ALBN.....	111
40077TF.....	111, 114, 119	40117ALEP.....	111
40078FG.....	111, 114, 119	40117ALVI.....	111
40079SS.....	111, 114, 119	40117SSBN.....	112
40080SS.....	111, 114, 119	40117SSEP.....	112
40081ALBN.....	113, 119	40117SSVI.....	112
40081ALEP.....	113	40118SS.....	111
40081ALVI.....	113, 119	40119TF.....	111
40081SSBN.....	114	40120BN.....	111
40081SSEP.....	114	40120EP.....	111
40081SSVI.....	114	40120KR.....	111
40082TF.....	111, 114, 119	40120TS.....	111

40120TV	111	40164SS	122
40120VI	111	40166VY	122
40122TF	111	40167AL	122, 125
40124SS	111	40168SS	113, 114, 119
40125SS	111	40169SS	111
40129AL	106	40170TF	113, 114, 119
40129SS	106	40171TF	111
40129ZA	106	40175SS	108
40130AL	106	40180AL	107
40130SS	106	40180SS	107
40131AL	106	40180ZA	107
40131SS	106	40181AL	107
40132SS	106	40181SS	107
40133BR	106	40182AL	107
40133SS-001	106	40182SS	107
40133SS-002	106	40183BR	107
40134BN	109	40183SS	107
40134EP	109	40184SS	107, 109
40134KR	109	40185BN	109
40134TS	109	40185EP	109
40134VI	109	40185KR	109
40138SS	122	40185TS	109
40139SS	122	40185VI	109
40140SS	122	40187SSSS	108
40141SS	122	40190TF	108, 148
40142SS	122	40191TF	108
40143SS	122	40192SS	108
40144SS	122	40193AL	20
40145SS	122	40195SS	116
40146HC	122	40196SS	116
40147CA	122	40197ALBN	116
40148SS	122	40197ALVI	116
40149SS	122	40197SSEP	116
40150BN	122	40197SSVB	116
40150VI	122	40198TF	116
40151SS	122	4020-CVR-AL	19
40152SS	122, 125	40200AL	116
40153SS	122	40201TF	116
40154SS	122	40202SS	116
40155SS	122, 125	40203SS	116
40158ST	125	40204SS	116
40159SS	122	40205SS	116
40160SS	122	40206SS	116
40162BN	122	40207SS	116
40162VI	122	40208SS	116
40163BN	122	40209SS	116
40163VI	122	40210SS	116



40211TF	116	40270SS	125
40212SS	116	40271SS	125
40213FG	116	40272SS	125
40214SS	116	40273BN	125
40216SS	116	40273VI	125
40217SS	116	40274BN	125
40218SS	116	40274VI	125
40219TF	116	40275BN	125
40221SS	116	40275VI	125
40222TV	116	40276BN	125
40223BN	116	40276VI	125
40223EP	116	40278AL	121
40223KR	116	40278BR	121
40223VB	116	40279AL	121
40223VI	116	40279BR	121
40224BN	116	40280AL	121
40224EP	116	40280BR	121
40224KR	116	40281SS	121
40224TS	116	40285SSSS	116
40224TV	116	4030-CVR-AL	19
40224VB	116	4030-DAVR-AL	19
40224VI	116	4030-DVR-AL	19
40235TF	116	40303AL	106
40246SS	125	40304SS	116
40247HC	125	40305TF	116
40248CA	125	40323BL	12
40249SS	125	40341SS	109
40250SS	125	40342SSSS	109
40251SS	125	40343TF	109
40252SS	125	40344SS	109
40253AL	125	40347SSSS	109
40254SS	125	40359SSSS	109
40255SS	125	40360SS	109
40256SS	125	40361SS	109
40257ST	125	40362TF	109
40258SS	125	40364BL	12
40259BR	125	40417BL	12
40260SS	125	40419SS	83
40261SS	125	40420SS	83
40262SS	125	40447ST	8
40263SS	125	40483VY	10
40264SS	125	4050AL	93
40265NY	125	4062AL	93
40266FL	125	4063	93
40267SS	125	4066	93
40268BR	125	4068	93
40269VY	125	4071	93

407119.....	128	5000AIRRK1.....	102
41440-225AL.....	8	5000AIRSK.....	102
4400SGK.....	82	5000AIS.....	21
4400SGK-V.....	82	5000AISK.....	104
4426.....	82, 86	5000AIST.....	21
4427.....	82	5000AIV.....	21
4432.....	87	5000AIVHD.....	21
4433.....	82, 86	5000S.....	103
4443.....	12	5000ST.....	103
4500-5.....	79, 81, 82	5000STHD.....	103
4500-7.....	79, 81, 82	5006AIHD.....	105, 21
4500RK.....	79, 81, 82	5006AIHDSK.....	105
4500RK-V.....	79, 81, 82	5006AIRHD.....	105, 21
4502.....	7	5006AIRHDSK.....	105
4502ASSM.....	7	5006AISTHD.....	105
4502SGK.....	82	5006AIVHD.....	105, 21
4502SGK-V.....	82	500K.....	131
4504ASSM.....	7	5200-SFI.....	9
4530.....	7	5200-SFI-3.....	9
4540.....	7	5200-SFI-3-RK1.....	83
4540V.....	7	5200-SFI-3V-RK1.....	83
4530SG.....	7	5200-SFI-RK1.....	83
4540SG.....	7	5200-SFIV-RK1.....	83
4540SGV.....	7	5200C-SFI.....	9
4540DC.....	8	5200C-SFI-3.....	9
4540DC-1200.....	8	5201-SFI.....	10
4540F.....	7	5201-SFI-3-RK1.....	83
4540SG-RK1.....	81	5201-SFI-RK1.....	83
4540SG-RK2.....	81	5201CA.....	10
4540SG-RK2-V.....	81	5201CA-3.....	10
4540SG-RK3.....	81	5201CC.....	10
500-7A2.....	129	5204.....	6, 78
5000-24.....	7, 79	5204SNG.....	6, 78
5000-24L.....	7	5204TNG.....	6, 78
5000-25.....	7	5204-SP.....	78
5000-25RK1.....	79	5204C.....	6, 78
5000-25RK2.....	79	5204H.....	30
5000AI.....	21	5204K1.....	78
5000AI-2.....	104	5204K11.....	77, 78
5000AI-5.....	104	5204K12.....	77, 78, 95
5000AIHD.....	21	5204K13.....	77, 78
5000AIHDRK1.....	103	5204K2.....	77
5000AIHDSK.....	103, 104	5204K3.....	77, 78
5000AIHK.....	102, 103, 104	5204K5.....	77, 78
5000AIR.....	21	5204K6.....	77, 78
5000AIRHD.....	21	5204K7.....	77, 78
5000AIRHDSK.....	102	5204K8.....	77, 78, 95

5204K9 .....	77	5354P1 .....	30
5204KV1 .....	78	600-ALT-AL .....	11
5204KV2 .....	77	600-DLT-AL .....	11
5204L .....	6, 78	6000-12 .....	78, 84, 92
5204LNG .....	6, 78	6000-13 .....	84, 92
5204NG .....	6, 78	6000-14 .....	14, 18
5204NGC .....	6, 78	6000-15 .....	14, 18
5204NGV .....	6, 78	6000-14C .....	15, 16, 87
5204P .....	6	6000-15C .....	15, 16, 87
5204SFI .....	6	6000-16 .....	14
5204SFI-P .....	6	6000-16C .....	15, 16, 87
5205 .....	7	6000-17C .....	15, 16, 87
5205-RK1 .....	79	6000-17 .....	14, 18
5205-RK2 .....	79	6000-20 .....	14
5205-RK3 .....	79	6000-26C .....	15, 16, 87
5205-RK4 .....	79, 81	6000-7 .....	84
5300 .....	30	6000-8 .....	84, 92
5300B .....	30	6000-9 .....	84, 85, 87, 90
5300G .....	30	6000-SSA .....	15
5400 .....	30	6000AS .....	14
5400B .....	30	6000ASA .....	14
5400G .....	30	6000ASAG .....	14
5300BC .....	30	6000ASAL .....	14
5300BCL .....	30	6000ASAT .....	14
5354K1 .....	76	6000ASB .....	14
5354K10 .....	76	6000ASC .....	14
5354K11 .....	76	6000ASD .....	14
5354K12 .....	76	6000ASK .....	88
5354K13 .....	76	6000ASR .....	14, 88
5354K14 .....	76	6000AST .....	14
5354K15 .....	76	6000EHK .....	84, 87, 88, 90, 91
5354K16 .....	76	6000EXT .....	15
5354K17 .....	76	6000F .....	14
5354K18 .....	76	6000NPHK .....	83, 89, 90, 91
5354K19 .....	76	6000SSHK .....	88
5354K2 .....	76	6030 .....	84, 86
5354K20 .....	76	6030AS .....	88
5354K21 .....	76	6200 .....	13
5354K22 .....	76	6200-1 .....	84
5354K25 .....	76	6200-15ASSM .....	85, 87, 90
5354K3 .....	76	6200-17 .....	14
5354K4 .....	76	6200-7 .....	85, 87, 90
5354K5 .....	76	6200-7X .....	85, 87
5354K6 .....	76	6200A .....	13
5354K7 .....	76	6200C .....	13
5354K8 .....	76	6200ARK .....	84, 85
5354K9 .....	76	6200B .....	13

6200BK.....	84, 85, 87, 90	6544CA-1 .....	87
6200D.....	13	875-3 .....	129
6200SBK .....	85, 90	875-4 .....	129, 35
6200SGK.....	84, 88	875-5 .....	129, 35
6200SHK.....	85, 90	900.....	35
6200X.....	13	900B.....	35
6200X-17.....	14	900B34.....	35
6200XA.....	13	900W34B.....	35
6200XB.....	13	900RB.....	129
6200XC.....	13	900S.....	35
6200XD.....	13	900S34.....	35
6230.....	85, 87	900SK.....	129
6230X.....	85, 87	900TK.....	129
6300-3.....	86	900W34S.....	35
6303.....	14	ACAR34BZ.....	81, 82
6304.....	14	AL4051-BORE.....	15
6303NPT .....	14	AS156.....	84, 85, 86, 90
6304NPT .....	14	BA31-200.....	28
6304-1 .....	86	BA32-200.....	28
6400.....	16	BA31-200RK1.....	121
6430.....	16	BA31-300.....	28
6400-1 .....	87	BA31-300RK1.....	121
6400-4 .....	15, 16, 87	BA32-200RK1.....	121
6400ARK .....	87	BA32-300.....	28
6400DTK .....	87	BA32-300RK1.....	121
6400EXT.....	15	BA61-300.....	28
6400F.....	16	BA62-300.....	28
6400FNPT .....	16	BC61-200 .....	28
6400SGK.....	87	BC62-200 .....	28
6400X.....	16	BL-RK10.....	132
6430X.....	16	BL-RK102.....	134
6400XF.....	16	BL-RK11.....	132
6400XFNPT.....	16	BL-RK112.....	134
6430F.....	16	BL-RK12.....	132
6430XF.....	16	BL-RK122.....	134
6500.....	13	BL-RK13.....	132
6500-RK1 .....	86	BL-RK4.....	132
6500A.....	13	BL-RK42.....	134
6500C.....	13	BL001.....	34
6500AHK.....	86	BL002.....	34
6500B.....	13	BL005.....	132, 34
6500D.....	13	BL062.....	34
6500X.....	13	BL064.....	34
6500XA.....	13	BL066.....	34
6500XC.....	13	BL066NS.....	34
6500XB.....	13	BL068.....	34
6500XD.....	13	BL068NS.....	34

BL072 .....	34	DBA11-200 .....	24
BL072NS .....	34	DBA11-300 .....	24
BL918 .....	34	DBA12-150 .....	24
BL919 .....	34	DBA12-200 .....	24
BL920 .....	34	DBA12-300 .....	24
BLACK BUTTON INSERT .... 137, 140, 142, 144, 154, 156, 158, 160, 161		DBA61-200 .....	24
BS61-200 .....	28	DBA62-200 .....	24
BS61-200RK1 .....	123	DBA63-150 .....	24
BS61-200RK2 .....	123	DBA63-200 .....	24
BS61-300 .....	28	DBA63-300 .....	24
BS62-200 .....	28	DBA64-150 .....	24
BS62-300 .....	28	DBA64-200 .....	24
BS61-300RK1 .....	125	DBA64-300 .....	24
BS61-300RK2 .....	125	DBA66-150 .....	24
BS62-200RK1 .....	123	DBA66-200 .....	24
BS62-200RK2 .....	123	DBA66-300 .....	24
BS62-300RK1 .....	125	DBA67-150 .....	24
BS62-300RK2 .....	125	DBA67-200 .....	24
BSS4051 .....	17	DBA67-300 .....	24
BSS61-200 .....	28	DBA69-300 .....	24
BSS61-300 .....	28	DBA71-150 .....	24
BSS62-200 .....	28	DBA71-200 .....	24
BSS62-300 .....	28	DBA71-300 .....	24
BY4051 .....	17	DBA72-150 .....	24
BZ4051 .....	17	DBA72-200 .....	24
BZ4051S .....	17	DBA72-300 .....	24
D2C71-150 .....	27	DBA73-150 .....	24
D2C71-200 .....	27	DBA73-200 .....	24
D2C72-150 .....	27	DBA73-300 .....	24
D2C72-200 .....	27	DBA74-150 .....	24
D2C73-150 .....	27	DBA74-200 .....	24
D2C73-200 .....	27	DBA74-300 .....	24
D2C74-150 .....	27	DBA76-150 .....	24
D2C74-200 .....	27	DBA76-200 .....	24
DAB1 .....	37	DBA76-300 .....	24
DAB14 .....	37	DBA77-150 .....	24
DAB15 .....	37	DBA77-200 .....	24
DAB2 .....	37	DBA77-300 .....	24
DAB34 .....	37	DBA79-300 .....	24
DAWS10 .....	36	DBA78-200 .....	24
DAWS34 .....	36	DBAF71-1520 .....	25
DB300PMB .....	21	DBAF71-200 .....	25
DB400PMB .....	21	DBAF71-300 .....	25
DBA11-150 .....	24	DBAF72-1520 .....	25
DBA11-1520 .....	25	DBAF72-200 .....	25
DBA12-1520 .....	25	DBAF72-300 .....	25
		DBAF73-1520 .....	25



DBAF73-200.....	25	DBC69-300.....	26
DBAF73-300.....	25	DBC61-150RK2.....	111
DBAF74-1520.....	25	DBC61-200RK2.....	113
DBAF74-200.....	25	DBC61-300RK2.....	116
DBAF74-300.....	25	DBC62-150RK2.....	111
DBAF76-1520.....	25	DBC62-200RK2.....	113
DBAF76-200.....	25	DBC62-300RK2.....	116
DBAF76-300.....	25	DBC64-150RK2.....	111
DBAF78-200.....	25	DBC64-200RK2.....	113
DBAK1-150.....	106, 107	DBC64-300RK2.....	116
DBAK1-200.....	106, 107	DBC69-300RK2.....	116
DBAK1-300.....	107	DBC71-150.....	26
DBAK2-150.....	106, 107	DBC71-200.....	26
DBAK2-200.....	106, 107	DBC71-300.....	26
DBAK2-300.....	107	DBC72-150.....	26
DBAK3-150.....	106, 107	DBC72-200.....	26
DBAK3-200.....	106, 107	DBC72-300.....	26
DBAK3-300.....	107	DBC73-150.....	26
DBAK4-150.....	106, 107	DBC73-200.....	26
DBAK4-200.....	106, 107	DBC73-300.....	26
DBAK4-300.....	107	DBC74-150.....	26
DBAK6-150.....	106, 107	DBC74-200.....	26
DBAK6-200.....	106, 107	DBC74-300.....	26
DBAK6-300.....	107	DBC76-150.....	26
DBAK7-150.....	106, 107	DBC76-200.....	26
DBAK7-200.....	106, 107	DBC76-300.....	26
DBAK7-300.....	107	DBC77-150.....	26
DBAK9-300.....	107	DBC77-200.....	26
DBAV73-2030.....	25	DBC77-300.....	26
DBC61-150.....	26	DBC79-300.....	26
DBC61-200.....	26	DBC71-150RK2.....	112
DBC61-300.....	26	DBC71-200RK2.....	114
DBC62-150.....	26	DBC72-150RK2.....	112
DBC62-200.....	26	DBC72-200RK2.....	114
DBC62-300.....	26	DBC74-150RK2.....	112
DBC63-150.....	26	DBC74-200RK2.....	114
DBC63-200.....	26	DBC77-150-GL.....	26
DBC63-300.....	26	DBC77-200-GL.....	26
DBC64-150.....	26	DBC78-200.....	26
DBC64-200.....	26	DBCL-200.....	111, 112, 113, 114, 27
DBC64-300.....	26	DBCL-300.....	27
DBC66-150.....	26	DBCx1-150RK1.....	111, 112
DBC66-200.....	26	DBCx1-200RK1.....	113, 114
DBC66-300.....	26	DBCx1-300RK1.....	116
DBC67-150.....	26	DBCx1-300RK3.....	116
DBC67-200.....	26	DBCx2-150RK1.....	111, 112
DBC67-300.....	26	DBCx2-200RK1.....	113, 114

DBCx2-300RK1 .....	116	DBV-VB200 .....	31
DBCx2-300RK3 .....	116	DBV-BN300 .....	31
DBCx3-150RK1 .....	111, 112	DBV-VB300 .....	31
DBCx3-150RK2 .....	111, 112	DBV-BN400 .....	31
DBCx3-200RK1 .....	113, 114	DBV-VB400 .....	31
DBCx3-200RK2 .....	113, 114	DEFN075 .....	32
DBCx3-300RK1 .....	116	DFN100 .....	32
DBCx3-300RK2 .....	116	DFN100HF .....	32
DBCx3-300RK3 .....	116	DFN100SF .....	32
DBCx4-150RK1 .....	111, 112	DN7LOBF .....	32
DBCx4-200RK1 .....	113, 114	DN7UOBF .....	32
DBCx4-300RK1 .....	116	DNOG5 .....	33
DBCx4-300RK3 .....	116	DNOG5-NL .....	33
DBCx6-150RK1 .....	111, 112	DNOG6 .....	33
DBCx6-200RK1 .....	113, 114	DNOG6CX .....	33
DBCx6-300RK1 .....	116	DNOG6RB .....	33
DBCx7-150RK1 .....	111, 112	FG4540 .....	12
DBCx7-200RK1 .....	113, 114	FT100 .....	147, 52
DBCx7-300RK1 .....	116	FT100-12 .....	147, 52
DBCx9-300RK1 .....	116	FT100-18 .....	147, 52
DBCx9-300RK3 .....	116	FT1001 .....	51
DBCxx-150RK4 .....	111, 112	FT1002 .....	51
DBCxx-150RK5 .....	111, 112	FT1003 .....	51
DBCxx-150RK6 .....	111, 112	FT1004 .....	51
DBCxx-150RK7 .....	111, 112	FT1005 .....	51
DBCxx-150RK8 .....	111, 112	FT1006 .....	51
DBCxx-150RK9 .....	111, 112	FT1001-12 .....	51
DBCxx-200RK4 .....	113, 114	FT1002-12 .....	51
DBCxx-200RK5 .....	113, 114	FT1003-12 .....	51
DBCxx-200RK6 .....	113, 114	FT1004-12 .....	51
DBCxx-200RK7 .....	113, 114	FT1005-12 .....	51
DBCxx-200RK8 .....	113, 114	FT1006-12 .....	51
DBCxx-200RK9 .....	113, 114	FT100S .....	148, 53
DBCxx-300RK4 .....	116	FT101 .....	52
DBCxx-300RK5 .....	116	FT101-12 .....	52
DBCxx-300RK6 .....	116	FT101-18 .....	52
DBCxx-300RK7 .....	116	FT102 .....	52
DBCxx-300RK8 .....	116	FT103 .....	52
DBCxx-300RK9 .....	116	FT150 .....	147, 47
DBPI080 .....	10	FT150-12 .....	147, 47
DBS61-200 .....	26	FT150-12P .....	145
DBS62-200 .....	26	FT150-18 .....	147, 47
DBS63-200 .....	26	FT150-18P .....	145
DBV-BL200 .....	31	FT150P .....	145, 44, 65
DBV-BL300 .....	31	FT150P-12 .....	44, 65
DBV-BL400 .....	31	FT150P-18 .....	44
DBV-BN200 .....	31	FT150S .....	148, 53

FT191S.....	53	FT208-390PPGS.....	42
FT151.....	47	FT208-390PPGST.....	42
FT151-12.....	47	FT208-390PPGT.....	42
FT151-18.....	47	FT208-390PPGSO.....	42
FT151P.....	44	FT208-390PPGSTO.....	42
FT151P-12.....	44	FT208-391P.....	42
FT151P-18.....	44	FT208-391PG.....	42
FT151RL.....	65	FT208-391PGS.....	42
FT151RL-12.....	65	FT208-391PGST.....	42
FT152.....	47	FT208-391PGT.....	42
FT152P.....	44	FT208-391PP.....	42
FT152RL.....	65	FT208-391PPG.....	42
FT155.....	58	FT208-391PPGS.....	42
FT2001.....	48	FT208-391PPGST.....	42
FT2002.....	48	FT208-391PPGT.....	42
FT2003.....	48	FT20801.....	45
FT2004.....	48	FT20802.....	45
FT2005.....	48	FT20803.....	45
FT2006.....	48	FT20804.....	45
FT2001-12.....	48	FT20805.....	45
FT2002-12.....	48	FT20806.....	45
FT2003-12.....	48	FT20801S.....	45
FT2004-12.....	48	FT20802S.....	45
FT2005-12.....	48	FT20803S.....	45
FT2006-12.....	48	FT20804S.....	45
FT201.....	147, 49	FT20805S.....	45
FT201-12.....	147, 49	FT20806S.....	45
FT201-18.....	147, 49	FT20801TWS.....	45
FT202.....	49	FT20802TWS.....	45
FT202-12.....	49	FT20803TWS.....	45
FT202-18.....	49	FT20804TWS.....	45
FT203P.....	49	FT20805TWS.....	45
FT203P-SPEC.....	49	FT20806TWS.....	45
FT204P.....	49	FT208LCM.....	43
FT205.....	58	FT208P.....	43
FT206.....	50	FT208PP.....	43
FT207.....	47	FT208PPC.....	43
FT208.....	47	FT208PSS.....	43
FT208-390P.....	42	FT2101.....	48
FT208-390PG.....	42	FT2102.....	48
FT208-390PGS.....	42	FT2103.....	48
FT208-390PGST.....	42	FT2104.....	48
FT208-390PGT.....	42	FT2105.....	48
FT208-390PGSO.....	42	FT2106.....	48
FT208-390PGSTO.....	42	FT2101-12.....	48
FT208-390PP.....	42	FT2102-12.....	48
FT208-390PPG.....	42	FT2103-12.....	48

FT2104-12	48	FT304	54, 69
FT2105-12	48	FT304SS	55
FT2106-12	48	FT305	54, 69
FT2801	46	FT306	54, 69
FT2802	46	FT306P	43
FT2803	46	FT307	54, 69
FT2804	46	FT307SS	55
FT2805	46	FT310	139, 154, 54, 69
FT2806	46	FT310SS	139, 154, 55
FT2807	46	FT311	139, 154, 54, 69
FT2808	46	FT311SS	139, 154, 55
FT2801-12	46	FT312	152
FT2802-12	46	FT313	154
FT2803-12	46	FT313SS	154
FT2804-12	46	FT314	154, 54, 69
FT2805-12	46	FT314SS	154, 55
FT2806-12	46	FT315	152, 54
FT2807-12	46	FT316	141, 152, 54
FT2808-12	46	FT317	154, 54
FT2811	46	FT317SS	154, 55
FT2812	46	FT320	137, 139, 142, 143, 144, 154, 156, 158, 54, 55, 69
FT2813	46	FT321	137, 139, 142, 143, 144, 154, 156, 158, 54, 55, 69
FT2814	46	FT390	56, 69
FT2815	46	FT390-20	56
FT2816	46	FT390G	56, 69
FT2817	46	FT390G-20	56
FT2818	46	FT390GT	56
FT2811-12	46	FT390PG-20	43
FT2812-12	46	FT390T	56
FT2813-12	46	FT390V	56
FT2814-12	46	FT391	56
FT2815-12	46	FT391P-20	43
FT2816-12	46	FT391PG-20	43
FT2817-12	46	FT391V	56
FT2818-12	46	FT393	57
FT295	43	FT394	57
FT300	54, 69	FT394G	57
FT300GW	54	FT394P	144, 43
FT300P	43	FT394PG	144, 43
FT300PG	43	FT394V-G	57
FT300SSGW	55	FT394VP	144, 43
FT301	54, 69	FT394VPG	144, 43
FT301GW	54	FT395	57
FT301P	43	FT395G	57
FT301SS	55	FT395P-20	43
FT302	54, 69	FT395PG-20	144, 43
FT303	69	FT395V	57

FT395V-G .....	57	FT620P .....	69
FT400 .....	59, 69	FT620S .....	62, 69
FT400-1000 .....	59	FT621 .....	161, 69
FT400-500 .....	59, 69	FT622 .....	161, 69
FT401 .....	59, 69	FT623 .....	62, 69
FT401-1000 .....	59, 69	FT624 .....	161, 69
FT401-150 .....	59, 69	FT9000 .....	147
FT402 .....	59, 69	FT9000P .....	145
FT403 .....	59, 69	FT9001 .....	145, 147
FT404 .....	59	FT9002 .....	147
FT404-1000 .....	59	FT9003 .....	149, 150
FT404-150 .....	59	FT9004 .....	149, 150
FT405-500 .....	59	FT9008 .....	139, 154
FT406 .....	57	FT9009 .....	139, 154
FT450 .....	58, 69	FT9010 .....	154
FT451 .....	58, 69	FT9011 .....	145, 147
FT452 .....	58	FT9013 .....	139, 154
FT470 .....	59, 69	FT9020 .....	139, 154
FT520 .....	60, 69	FT9021 .....	59
FT520CASE .....	60	FT9022 .....	59
FT520WOGA .....	60	FT9023 .....	59
FT520WOGACASE .....	60	FT9024 .....	59
FT521 .....	60, 69	FT9025 .....	59
FT522 .....	60, 69	FT9030 .....	149
FT523 .....	60, 69	FT9031 .....	150, 151
FT530 .....	60	FT9034 .....	139, 154
FT555 .....	61, 69	FT9036 .....	138, 151
FT590OG .....	61	FT9037 .....	60
FT590OGT .....	61	FT9040 .....	138, 151
FT590TG .....	61	FT9046 .....	139, 154
FT590TGT .....	61	FT9051 .....	137, 142, 143, 156, 158
FT600 .....	63, 69	FT9052 .....	137, 142, 143, 156, 158
FT600-4 .....	63	FT9055 .....	148
FT600C .....	63, 69	FT9059 .....	150
FT600CP .....	63	FT9062 .....	137, 142, 143, 156, 158
FT600P .....	63, 69	FT9063 .....	137, 142, 143, 156, 158
FT600S .....	63, 69	FT9064 .....	150
FT600SC .....	63, 69	FT9068 .....	137, 139, 142, 143, 146, 148, 154, 156, 158
FT601 .....	161, 63, 69	G200BL .....	31
FT601-10 .....	161, 63, 69	G200T .....	31
FT601-4 .....	161, 69	G300T .....	31
FT602 .....	161, 63, 69	G400T .....	31
FT603 .....	63, 69	G200VB .....	31
FT604 .....	161, 63, 69	G300VB .....	31
FT605C .....	62	G400VB .....	31
FT606 .....	63	G300BL .....	31
FT620 .....	62, 69		



G400BL .....	31	STEMPACK-L360 .....	127, 128
G3050 .....	63	SWMF-RK1 .....	130, 132
G4000AS .....	95	SWMF-RK2 .....	130, 132
GS1 .....	22	SWMF-RK22 .....	130
GS1-2 .....	22	SWMF-RK3 .....	130, 132
GS2 .....	22	SWMF-RK32 .....	130
L02BL .....	31	SWMF-RK4 .....	132
L03BL .....	31	SWMF-RK42 .....	134
L04BL .....	31	SWMF-RK5 .....	132
L1110-L2287 .....	90, 91	SWMF-RK52 .....	134
L2311 .....	88	SWMF-RK6 .....	132
L2312 .....	88	SWMF125 .....	36
L2373 .....	88	SWMF150 .....	36
L4217 .....	98	SWMF200 .....	36
L519-12 .....	82	TDF6 .....	22
L519-15 .....	81	TDF68RK .....	102
NIPPLE/1 .....	84, 85, 90	TDF7 .....	22
NUT.25HX-SS .....	103, 104	TDF7RK .....	102
NUTL357-1 .....	127, 128	TDF8 .....	22
O-RING#132 .....	126, 129, 94	TL4070BZ .....	17
O-RING#39 .....	87	TRUARC-5100-25 .....	88
O-RING-AS-129 .....	127, 128	TTF3AL .....	11
O-RING-AS-334 .....	90, 91, 95, 96, 97	TTF3AL-3MT .....	11
O-RING-AS016 .....	127, 128	TTF400SP .....	11
O-RING-AS339-V .....	94	TTF4AL .....	11
PC30 .....	22	TTF4AL-3EMT .....	11
PIN-L389-SS .....	126	TTF4AL-3FT .....	11
PIN5/16X 1 1/4P .....	85	TTF4AL-3MT .....	11
PIN5/16X11/4P .....	90	TTF4AL-4EMT .....	11
RING-VH-225 .....	94	TTF4AL-4FT .....	11
RING-WH-50 .....	102	TTF4AL-4MT .....	11
SA4050AL .....	17	TTF4ALHC-3MT .....	11
SA4050BZ .....	17	TTF4ALHC-4MT .....	11
SC1024375-SS .....	94	U-CUP-2/75 .....	87
SC3/8NCX1/2 .....	87	VAC4030RK .....	96
SC5-16NCX.75FSS .....	94, 95	VR3100 .....	19
SC5/16-18X2.5P .....	87	VR3100NP .....	19
SINGLE1518R .....	161	VR4000 .....	19
SLV358-1 .....	128	VR4000-2 .....	94
SLVL358-1 .....	127	VR4000-3 .....	94
SPRG-972 .....	129	VR4000-4 .....	94
SPRG-A4630 .....	102	VR4000-5 .....	94
SPRG-L368 .....	126, 127, 128, 129	VR4030CS-1 .....	96
SPRG-L4506 .....	101	VR4030CS-3 .....	98
SPRG/L4238 .....	96	VR4030CS-4 .....	96
SPRG/L4432 .....	94	VR4030CS-AL .....	19
SPRING-L5123 .....	94, 95	VR4030CS-NP .....	19

VR4040CS-4MNPT .....	19	VR6035RKV1 .....	100
VR4040CS-AL .....	19	VR6035RKV3 .....	100
VR4040CSRK1 .....	97	VR6035SQ .....	20
VR4040CSRK2 .....	97	VR6100CAK .....	89
VR4040CSRK3 .....	97	VR6100NP .....	18
VR4040CSRK4 .....	97	VR6200 .....	18
VR4050AL .....	17, 19	VR6200ANP .....	18
VR4050ALC .....	17, 19	VR6200ARK .....	90
VR4050PL .....	17, 19	VR6200NP .....	18
VR4050PL-1200 .....	17	VR6200NPB .....	18
VR4050PLC .....	19	VR6200NPBP .....	18
VR4050PLRK1 .....	93	VR6200NPBU .....	18
VR4075 .....	93	VR6200NPDP .....	18
VR4076 .....	93	VR6200PNP .....	18
VR4077 .....	93	VR6230 .....	90, 91
VR4086 .....	17, 2	VR6500 .....	18
VR4086-BY .....	17	VR6500LPNP .....	18
VR4100 .....	19	VR6500NP .....	18
VR4100-2 .....	95	VR6500RK1 .....	91
VR4100-3 .....	94, 95	VRC3000AL .....	19
VR4100F .....	19	VRP3500 .....	20
VR4100F-NGNP .....	19	VRP3600 .....	20
VR4100F-SFI .....	19	VRP3500-2 .....	101
VR4100FNG .....	19	VRP3500-4 .....	101
VR4100NP .....	19	VRP3501-6 .....	101
VR4100NPS .....	19	VRV3501 .....	20
VR4100RK1 .....	94	VRV3501-2 .....	101
VR4100S .....	19	VRV3501-3 .....	101
VR6000-1 .....	90	VRV3501-4 .....	101
VR6000-2 .....	92	VRV3501-5 .....	101
VR6000-3 .....	90, 91, 95, 96, 97	VRV3501-6 .....	101
VR6000-4 .....	90, 91	WASHER.375-SS .....	82, 86, 91
VR6000-5 .....	90, 91		
VR6000-6 .....	18, 89, 90, 91		
VR6000-7 .....	90, 96		
VR6000-8 .....	90		
VR6000-9 .....	90		
VR6000NP .....	18		
VR6030RK1 .....	99		
VR6030RK2 .....	99		
VR6030RK3 .....	99		
VR6030RKV1 .....	99		
VR6030RKV3 .....	99		
VR6030SQ .....	20		
VR6035RK1 .....	100		
VR6035RK2 .....	100		
VR6035RK3 .....	100		
VR6035RK4 .....	100		



## Limited Warranty

DIXON VALVE AND COUPLING COMPANY (herein called "Dixon") warrants the products described herein, and manufactured by Dixon to be free from defects in material and workmanship for a period of one (1) year from date of shipment by Dixon under normal use and service. Its sole obligation under this warranty being limited to repairing or replacing, as hereinafter provided, at its option any product found to Dixon's satisfaction to be defective upon examination by it, provided that such product shall be returned for inspection to Dixon's factory within three (3) months after discovery of the defect. The repair or replacement of defective products will be made without charge for parts or labor. This warranty shall not apply to: (a) parts or products not manufactured by Dixon, the warranty of such items being limited to the actual warranty extended to Dixon by its supplier; (b) any product that has been subject to abuse, negligence, accident, or misapplication; (c) any product altered or repaired by others than Dixon; and (d) to normal maintenance services and the replacement of service items (such as washers, gaskets and lubricants) made in connection with such services. To the extent permitted by law, this limited warranty shall extend only to the buyer and any other person reasonably expected to use or consume the goods who is injured in person by any breach of the warranty. No action may be brought against Dixon for an alleged breach of warranty unless such action is instituted within one (1) year from the date the cause of action accrues. This limited warranty shall be construed and enforced to the fullest extent allowable by applicable law.

Other than the obligation of Dixon set forth herein, Dixon disclaims all warranties, express or implied, including but not limited to any implied warranties of merchantability or fitness for a particular purpose, and any other obligation or liability. The foregoing constitutes Dixon's sole obligation with respect to damages, whether direct, incidental or consequential, resulting from the use or performance of the product.

Some products and sizes may be discontinued when stock is depleted, or may require a minimum quantity for ordering.

---

## Limits of Liability

This catalog is intended as a product offering. It is not intended to be a user or technical manual. Information in this catalog is subject to change without notice. All users and distributors of products sold through this catalog should contact Dixon® with questions of use, compatibilities, coupling procedures and life of product. Our full-time engineering and test staff is always available to recommend uses and to assist distributors and users with any questions.



## Safety



Safety logos, which appear throughout our catalog, are used as a reminder that the user should carefully review for the appropriateness of the product for the media, application and environment in which it will be used.

NOTE: Because of the health hazards associated with contamination and lead content in drinking water systems, Dixon® couplings, unless otherwise specifically approved, are not recommended for potable water service and should not be used in applications where drinking water will contact the wetted surfaces of the coupling.

Warning: Dixon® products may contain chemicals known to the State of California to cause cancer, birth defects, or other reproduction harm.

---

## Copyright

Copyright © 2017 by Dixon Valve and Coupling

All rights reserved. This book is copyrighted material. Use, reproduction or copying of it by anyone other than Dixon® is strictly forbidden without its express written consent.

## Petroleum Products

pages 2 - 38

## Overfill Products

pages 39 - 73

## Petroleum Replacement Parts

pages 74 - 135

## Overfill Replacement Parts

pages 136 - 161

## Index

pages 162 - 183

### United States

**Albany, NY**  
ph 518.725.0998  
178A Corporate Drive  
Gloversville, NY 12078  
fx 518.725.8542

**Atlanta, GA**  
ph 770.486.9619  
101 T.D.K. Boulevard  
Suite A  
Peachtree City, GA 30269  
fx 770.486.9813

**Dallas, NC**  
ph 704.376.5755  
2925 Chief Court  
Dallas, NC 28034  
fx 704.376.1557

**Chestertown, MD**  
ph 800.355.1991  
800 High Street  
Chestertown, MD 21620  
fx 800.283.4966

**Chicago, IL**  
ph 630.323.3716  
1011 N. Hilltop Drive  
Itasca, IL 60143  
fx 630.323.4120

**Cleveland, OH**  
ph 330.425.3000  
1900 Enterprise Parkway  
Twinsburg, OH 44087  
fx 330.425.1527

**Houston, TX**  
ph 713.678.4291  
6525 Homestead Road  
Houston, TX 77028  
fx 713.678.8105

**Kansas City, MO**  
ph 816.221.0064  
1244 Saline Street  
N. Kansas City, MO 64116  
fx 816.221.1108

**Los Angeles, CA**  
ph 909.605.6400  
8840 Flower Road  
Suites 150/160  
Rancho Cucamonga, CA 91730  
fx 909.605.6200

**Portland, OR**  
ph 503.289.0400  
2642 North Marine Drive  
Portland, OR 97217  
fx 503.289.0600

**Salt Lake City, UT**  
ph 801.972.1180  
McGillis Ind. Pk. Bldg., #4  
1972 South 4370 West  
Salt Lake City, UT 84104  
fx 801.972.8063

**Tampa, FL**  
ph 813.247.3500  
5120 Adamo Drive  
Suite E  
Tampa, FL 33619  
fx 813.247.7910

### International

**Edmonton, Alberta, Canada**  
ph 780.469.5444  
fx 780.463.9205

**Innisfil, Ontario, Canada**  
ph 705.436.1125  
fx 705.436.6251

**Montreal, Quebec, Canada**  
ph 514.422.9292  
fx 514.422.0166

**Wingfield SA, Australia**  
ph 61.8.8202.6000  
fx 61.8.8202.6099

**Preston, England**  
ph 44.1.77.232.3529  
fx 44.1.77.231.4664

**Troisdorf-Spich, Germany**  
ph 49.2241.84406.0  
fx 49.2241.8440679

**Monterrey, Mexico**  
ph 52.81.8354.5649  
fx 52.81.8354.8197



The Right Connection®

### Dixon Bayco

800 High Street  
Chestertown, MD 21620  
Tech Hot Line: 877-582-3569  
ph 410.778.2002 • 800.355.1991  
fx 410.778.4702 • 800.283.4966  
dixonvalve.com

dixonvalve.com



customer service

