

RESERVOIRS/TANKS

TABLE OF CONTENTS

INSTALLED COUPLINGS & RETURN LINES

Basic Top Mount & Basic Side Mount..... RT-2

JIC TYPE RESERVOIRS

Style A..... RT-3
Jumbo Series RT-4
Style A Stainless Steel RT-5
Style B..... RT-6
Style RB Removable Baffle..... RT-7
Style RT RT-8
Style RT Removable Top RT-9
Containment Tray RT-10
Containment Stand RT-11
Overhead Reservoir Base - Bottom Section RT-12
Overhead Reservoir Base - Bottom Section RT-13
Overhead Reservoir Base - Top Section..... RT-14
Overhead Reservoir Base - Top Section..... RT-15

RESERVOIRS W/INTEGRATED SKIDS

Style C, L-Shaped..... RT-17
Style C, T-Shaped..... RT-18
Style D, Custom L-Shaped RT-19
Style F, L-Shaped..... RT-20

HORIZONTAL RESERVOIRS

Horizontal Removable Top..... RT-21
Horizontal w/Welded Top (Small) RT-22
Horizontal w/Welded Top (Large) RT-23
T100 Series RT-24
Aluminum Series (Steel Cover)..... RT-25

VERTICAL RESERVOIRS

Vertical Series..... RT-26
Dual Vertical Series..... RT-27
Vari-Pak Series - Small..... RT-28
Vari-Pak Series - Large..... RT-29
Cover Plates - Series 1 RT-31
Cover Plates - Series 2 RT-32
Cover Plates - Series 2A RT-33
Cover Plates - Series 3 RT-34
Cover Plates - Series 4 (Vari-Pak) RT-35

DIN TYPE RESERVOIRS

Style 1 RT-36
Style 2 RT-37
Style 3 RT-38
Style 4 RT-39

Dimensions and specifications are subject to change without notice. Not all items are Made-To-Stock, contact us for availability.

02/14

Ph : 920-682-6877
Fx : 920-684-7210



sales@ldi-industries.com
www.ldi-industries.com

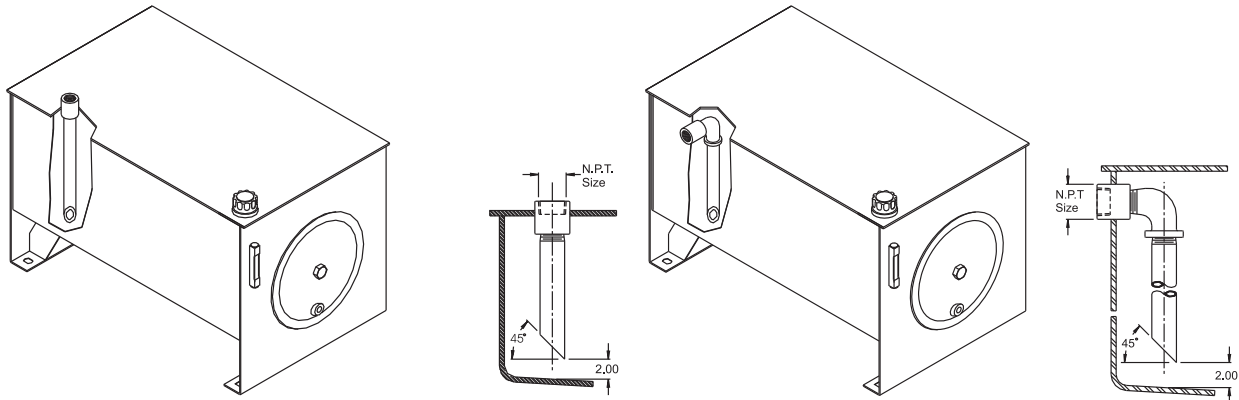
INSTALLED COUPLINGS & RETURN LINES

BASIC TOP MOUNT & BASIC SIDE MOUNT

Have LDI install your couplings and return lines. These are our typical combinations. We can install whatever your application requires.

Benefits:

- Customer specified locations
- Customer specified sizes
- No cutting of holes to install couplings
- Low cost
- Rapid assembly of power unit



Return Lines Available with Schedule 40 Pipe								
Reservoir Size (gal)	1/2 inch	3/4 inch	1 inch	1 1/4 inch	1 1/2 inch	2 inch	2 1/2 inch	3 inch
	NPT #8 SAE	NPT #10 SAE	NPT #12 SAE	NPT #14 SAE	NPT #16 SAE	NPT #20 SAE	NPT #24 SAE	NPT #32 SAE
10 to 20	•	•	•					
30 to 40	•	•	•	•				
50 to 60	•	•	•	•	•			
80 to 100		•	•	•	•	•		
120 to 150			•	•	•	•	•	
200 and up			•	•	•	•	•	•

Dimensions and specifications are subject to change without notice. Not all items are Made-To-Stock, contact us for availability.

02/15

Ph : 920-682-6877
Fx : 920-684-7210



sales@ldi-industries.com
www.ldi-industries.com

JIC TYPE RESERVOIRS

STYLE A

The Style A Series JIC type reservoirs are constructed with a welded top and clean-out access on each end. The reservoir design incorporates a lengthwise baffle positioned between opposing clean-out openings. Each reservoir is supplied with a sight gage, filler breather and access covers.

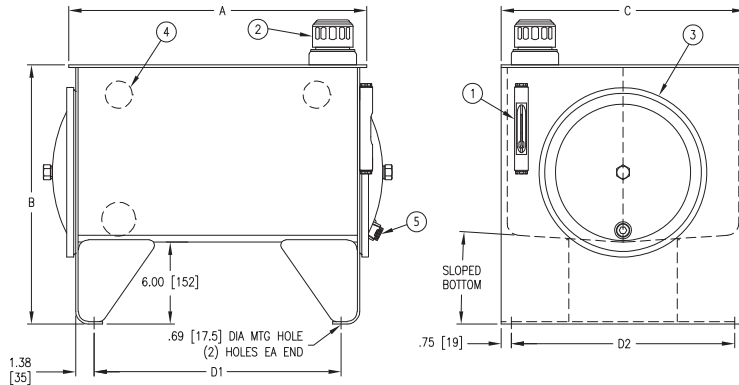
Standard Features:

- (1) 5 inch GT623 Series sight gage on capacities of less than 300 gallons; (1) 10 inch G1615 Series sight gage on 300 gallon capacities and above
- (1) Riser with filler breather
 - Bayonet style - 40 micron
- (2) Steel access covers with gaskets
- Baffle with cutouts for circulation
- 3/4 inch NPT drain with plug on (1) access cover
- Exterior of reservoir prime painted
- Interior of reservoir coated with rust preventative oil
- Materials:
 - Carbon steel reservoir
 - Buna N seals
 - Transparent molded nylon sight gage with black powder coated steel guard for GT623 Series sight gage
 - Aluminum body for G1615 Series sight gage
 - Zinc plated fill cap with nylon strainer basket

- NOTE**
- Drain plugs need to be sealed and tightened before use
 - Sight gage and filler breather shipped loose inside reservoir
 - Industry accepted design practice for hydraulic systems limits maximum operating temperature to 180° F (82° C), but materials used for fabrication of the reservoirs are capable of operating between -40° and 212° F (-40° and 100° C)

CAUTION:

- Reservoirs are not designed for internal positive or negative pressure applications. For these applications, consult the factory.



NOTE: All dimensions are inches [mm]

Tank Dimensions (inches)										
Capacity (gal)	Part No.	A Length	B Height	C Width	Mounting Centers		Access Cover	Material Thickness		Piece Weight (lb)
					D1 ± .12	D2 ± .12		End	Top	
10	V10010	22.00	19.00	18.00	18.25	16.50	12.00	7 Ga	7 Ga	105
15	V10015	26.00	19.00	18.00	22.25	16.50	12.00	7 Ga	7 Ga	115
20	V10020	30.00	19.00	18.00	26.25	16.50	12.00	7 Ga	7 Ga	126
30	V10030	36.00	19.38	24.00	32.25	22.50	12.00	7 Ga	7 Ga	175
40	V10040	36.00	21.00	24.00	32.25	22.50	12.00	7 Ga	7 Ga	185
50	V10050	36.00	23.00	24.00	32.25	22.50	14.00	7 Ga	7 Ga	195
60	V10060	48.00	20.56	27.00	44.25	25.50	14.00	7 Ga	.25	265
80	V10080	60.00	21.50	27.00	56.25	25.50	14.00	7 Ga	.38	375
100	V100100	60.00	23.50	27.00	56.25	25.50	14.00	.38	.38	380
120	V100120	60.00	27.00	30.00	56.25	28.50	16.00	.38	.38	539
150	V100150	60.00	31.00	30.00	56.25	28.50	16.00	.38	.38	587
200	V100200	72.00	29.38	36.00	68.25	34.50	18.00	.38	.38	827
300	V100300	72.00	38.50	36.00	68.25	34.50	18.00	.38	.38	980
400	V100400	72.00	38.50	48.00	68.25	46.50	18.00	.38	.50	1578
500	V100500	72.00	43.00	48.00	68.25	46.50	18.00	.38	.50	1733
600	V100600	96.00	43.00	48.00	92.25	46.50	18.00	.38	.50	1838
700	V100700	96.00	49.00	48.00	92.25	46.50	18.00	.38	.50	1996

Dimensions and specifications are subject to change without notice. Not all items are Made-To-Stock, contact us for availability.

05/15

Ph : 920-682-6877
Fx : 920-684-7210



sales@ldi-industries.com
www.ldi-industries.com

JIC TYPE RESERVOIRS

JUMBO SERIES

The Jumbo Series JIC type reservoirs are designed for large capacity systems. Construction consists of a welded top and multiple openings to access the inside of the reservoir. The reservoir design incorporates two lengthwise baffles positioned between opposing clean-out openings. Each reservoir is supplied with sight gages, filler breathers and access covers.

Standard Features:

- (2) 10 inch G1615 Series sight gages
- (2) Risers with filler breathers
 - Bayonet style - 40 micron
- (4) Steel access covers with gaskets
- (2) Baffles with cutouts for circulation
- (2) 2 inch NPT drains with plugs
- Exterior of reservoir prime painted
- Interior of reservoir coated with rust preventative oil

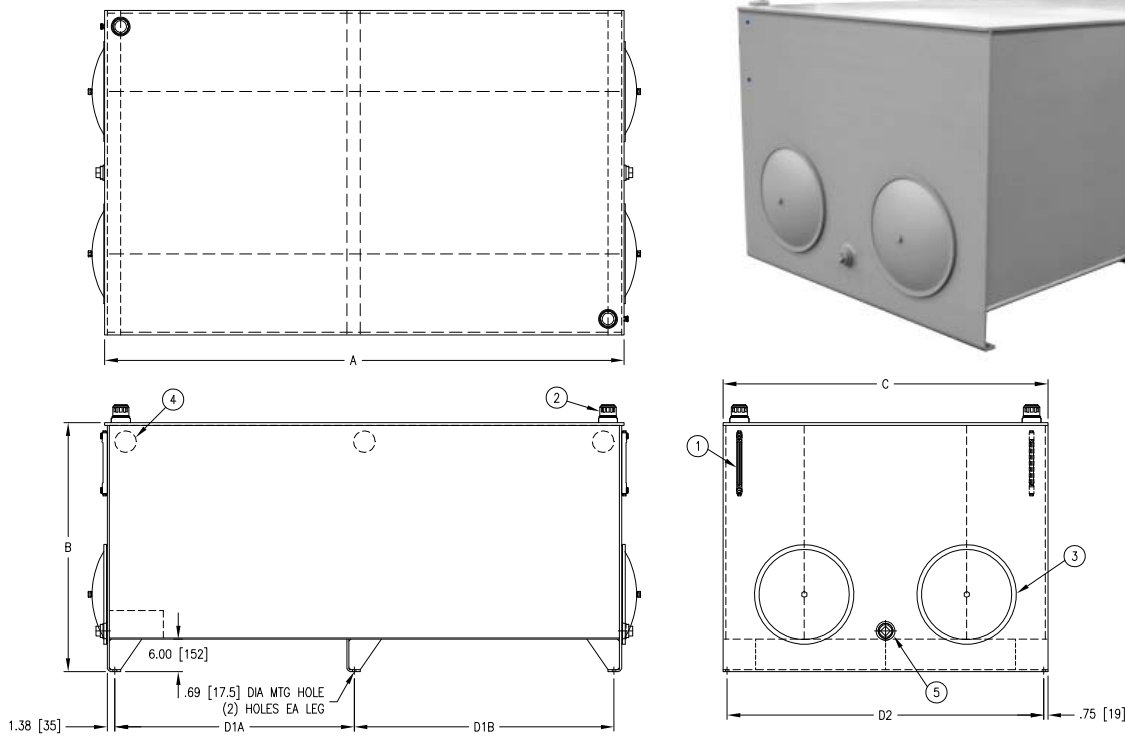
8. Materials:

- Carbon steel reservoir
- Buna N seals
- Aluminum sight gages
- Zinc plated fill caps with nylon strainer baskets

- NOTE**
- Drain plugs need to be sealed and tightened before use
 - Sight gage and filler breather shipped loose inside reservoir
 - Industry accepted design practice for hydraulic systems limits maximum operating temperature to 180° F (82° C), but materials used for fabrication of the reservoirs are capable of operating between -40° and 250° F (-40° and 121° C)

CAUTION:

- Reservoirs are not designed for internal positive or negative pressure applications. For these applications, consult the factory.



NOTE: All dimensions are inches [mm]

Tank Dimensions (inches)

Capacity (gal)	Part No.	A Length	B Height	C Width	Mounting Centers			Access Cover	Material Thickness		Piece Weight (lb)
					D1A ± .12	D1B ± .12	D2 ± .12		Top	End	
800	V100800	96.00	46.00	60.00	44.25	48.00	58.50	18.00	.50	.38	2696
900	V100900	96.00	51.00	60.00	44.25	48.00	58.50	18.00	.50	.38	2860
1000	V1001000	96.00	56.00	60.00	44.25	48.00	58.50	18.00	.50	.38	3025

Dimensions and specifications are subject to change without notice. Not all items are Made-To-Stock, contact us for availability.

05/14

Ph : 920-682-6877
Fx : 920-684-7210



sales@ldi-industries.com
www.ldi-industries.com

JIC TYPE RESERVOIRS

STYLE A STAINLESS STEEL

The Style A Stainless Steel Series JIC type reservoirs are constructed with a welded top and clean-out access on each end. The reservoir design incorporates a lengthwise baffle positioned between opposing clean-out openings. Each reservoir is supplied with a sight gage, filler breather and access covers.

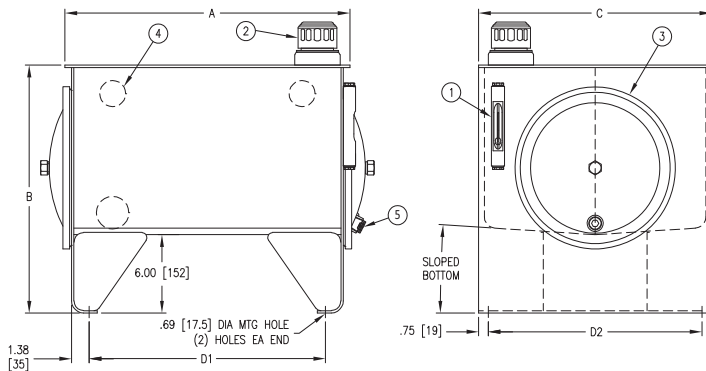
Standard Features:

- (1) 5 inch G1620 Series sight gage on capacities of less than 300 gallons; (1) 10 inch G1615 Series sight gage on 300 gallon capacities and above
- (1) Riser with filler breather
• Bayonet style - 40 micron
- (2) Stainless steel access covers with gaskets
- Baffle with cutouts for circulation
- 3/4 inch NPT drain with plug on (1) access cover
- Materials:
 - 304 Stainless Steel construction
 - Buna N seals
 - Aluminum sight gage
 - Zinc plated fill cap with nylon strainer basket

CAUTION:

• Reservoirs are not designed for internal positive or negative pressure applications. For these applications, consult the factory.

- NOTE**
- Drain plugs need to be sealed and tightened before use
 - Sight gage and filler breather are not stainless steel
 - Sight gage and filler breather shipped loose inside reservoir
 - Industry accepted design practice for hydraulic systems limits maximum operating temperature to 180° F (82° C), but materials used for fabrication of the reservoirs are capable of operating between -40° and 250° F (-40° and 121° C)



NOTE: All dimensions are inches [mm]

Tank Dimensions (inches)

Capacity (gal)	Part No.	A Length	B Height	C Width	Mounting Centers		Access Cover	Material Thickness		Piece Weight (lb)
					D1 ± .12	D2 ± .12		End	Top	
10	V23610	22.00	19.00	18.00	18.25	16.50	12.00	7 Ga	7 Ga	105
15	V23615	26.00	19.00	18.00	22.25	16.50	12.00	7 Ga	7 Ga	115
20	V23620	30.00	19.00	18.00	26.25	16.50	12.00	7 Ga	7 Ga	124
30	V23630	36.00	19.38	24.00	32.25	22.50	12.00	7 Ga	7 Ga	178
40	V23640	36.00	21.00	24.00	32.25	22.50	12.00	7 Ga	7 Ga	190
50	V23650	36.00	23.00	24.00	32.25	22.50	14.00	7 Ga	7 Ga	200
60	V23660	48.00	20.56	27.00	44.25	25.50	14.00	7 Ga	.25	266
80	V23680	60.00	21.50	27.00	56.25	25.50	14.00	7 Ga	.38	398
100	V236100	60.00	23.50	27.00	56.25	25.50	14.00	7 Ga	.38	418
120	V236120	60.00	27.00	30.00	56.25	28.50	16.00	.38	.38	616
150	V236150	60.00	31.00	30.00	56.25	28.50	16.00	.38	.38	681
200	V236200	72.00	29.38	36.00	68.25	34.50	16.00	.38	.38	908
300	V236300	72.00	38.50	36.00	68.25	34.50	16.00	.38	.38	999
400	V236400	72.00	38.38	48.00	68.25	46.50	16.00	.38	.38	1460
500	V236500	72.00	43.00	48.00	68.25	46.50	16.00	.38	.38	1618
600	V236600	96.00	42.87	48.00	92.25	46.50	16.00	.38	.38	1685
700	V236700	96.00	48.87	48.00	92.25	46.50	16.00	.38	.38	1843

Dimensions and specifications are subject to change without notice. Not all items are Made-To-Stock, contact us for availability.

08/15

Ph : 920-682-6877
Fx : 920-684-7210



sales@ldi-industries.com
www.ldi-industries.com

JIC TYPE RESERVOIRS

STYLE B

The Style B Series JIC type reservoirs are constructed with a welded top and clean-out access on each end. The reservoir design incorporates a lengthwise baffle positioned between opposing clean-out openings. Each reservoir is supplied with a sight gage, filler breather and access covers. Style B reservoirs are similar to the Style A Series, but incorporate design features common to the Jumbo Series reservoirs.

Standard Features:

- (1) 5 inch GT623 Series sight gage
- (1) Riser with filler breather
 - Bayonet style - 40 micron
- (2) Steel access covers with gaskets
- Baffle with cutouts for circulation
- 3/4 inch NPT drain with plug on (1) access cover
- Exterior of reservoir prime painted
- Interior of reservoir coated with rust preventative oil

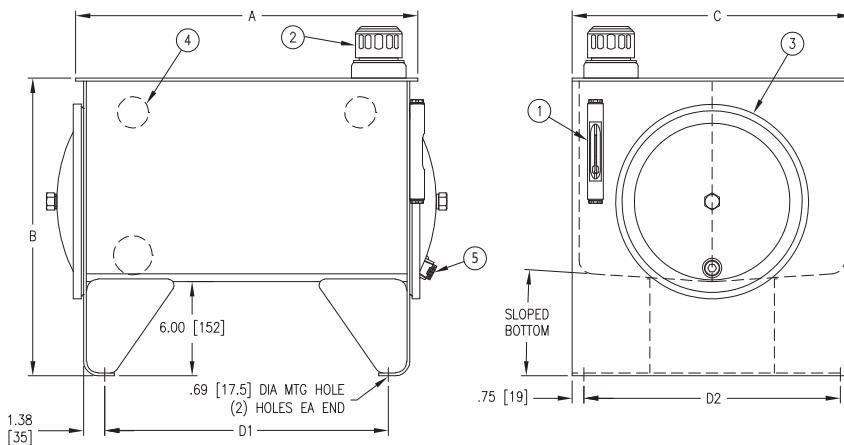
8. Materials:

- Carbon steel reservoir
- Buna N seals
- Transparent molded nylon sight gage with black powder coated steel guard
- Zinc plated fill cap with nylon strainer basket

- NOTE**
- Drain plugs need to be sealed and tightened before use
 - Sight gage and filler breather shipped loose inside reservoir
 - Industry accepted design practice for hydraulic systems limits maximum operating temperature to 180° F (82° C), but materials used for fabrication of the reservoirs are capable of operating between -40° and 212° F (-40° and 100° C)

CAUTION:

- Reservoirs are not designed for internal positive or negative pressure applications. For these applications, consult the factory.



NOTE: All dimensions are inches [mm]

Tank Dimensions (inches)

Capacity (gal)	Part No.	A Length	B Height	C Width	Mounting Centers		Access Cover	Material Thickness		Piece Weight (lb)
					D1 ± .12	D2 ± .12		End	Top	
10	V37510	24.00	18.00	16.00	20.25	14.50	12.00	11 Ga	7 Ga	80
20	V37520	32.00	18.00	21.00	28.25	19.50	12.00	11 Ga	7 Ga	130
60	V37560	38.00	25.00	25.00	34.25	23.50	14.00	7 Ga	.25	236
80	V37580	47.00	26.88	30.00	43.25	28.50	14.00	7 Ga	.25	337
100	V375100	47.00	29.00	30.00	43.25	28.50	14.00	7 Ga	.25	355
120	V375120	60.00	27.00	30.00	56.25	28.50	14.00	7 Ga	.38	450
150	V375150	59.62	31.19	30.00	55.88	28.50	14.00	7 Ga	.38	496
200	V375200	72.00	29.00	36.00	68.00	34.50	18.00	.25	.38	769
250	V375250	72.00	35.00	36.00	68.00	34.50	18.00	.25	.38	900
300	V375300	82.00	29.00	48.00	77.00	45.00	18.00	.25	.50	1306
400*	V375400	96.00	23.75	72.00	92.25	70.50	18.00	.38	.50	2066

* **NOTE:** 400 gallon reservoir includes (2) access covers per end and (2) baffles

Dimensions and specifications are subject to change without notice. Not all items are Made-To-Stock, contact us for availability.

08/15

Ph : 920-682-6877
Fx : 920-684-7210



sales@ldi-industries.com
www.ldi-industries.com

JIC TYPE RESERVOIRS

STYLE RB REMOVABLE BAFFLE

The Style RB Series JIC type reservoirs are constructed with a welded top and clean-out access on each end. The reservoir design incorporates a lengthwise, removable baffle positioned between opposing clean-out openings. For more thorough cleaning, the baffle can be removed through clean-out opening. Each reservoir is supplied with a sight gage, filler breather and access covers.

Standard Features:

- (1) 5 inch G1620 Series sight gage
- (1) Riser with filler breather
 - Bayonet style - 40 micron
- (2) Steel access covers with gaskets
- Removable baffle
- 3/4 inch NPT drain with plug on (1) access cover
- Exterior of reservoir prime painted
- Interior of reservoir coated with rust preventative oil

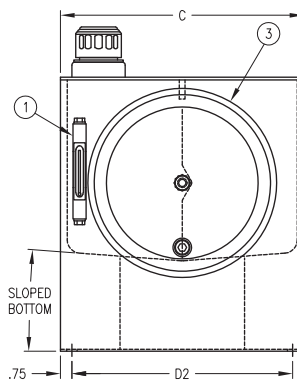
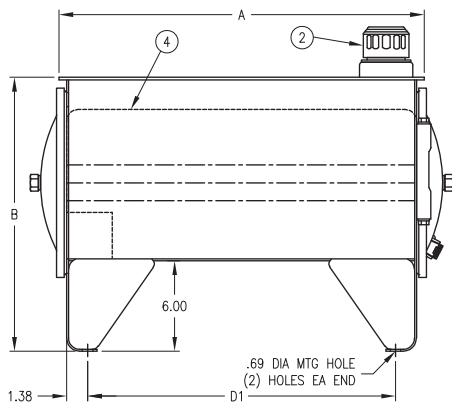
8. Materials:

- Carbon steel reservoir
- Buna N seals
- Aluminum sight gage
- Zinc plated fill cap with nylon strainer basket

- NOTE**
- Drain plugs need to be sealed and tightened before use
 - Sight gage and filler breather shipped loose inside reservoir
 - Industry accepted design practice for hydraulic systems limits maximum operating temperature to 180° F (82° C), but materials used for fabrication of the reservoirs are capable of operating between -40° and 250° F (-40° and 121° C)

CAUTION:

- Reservoirs are not designed for internal positive or negative pressure applications. For these applications, consult the factory.



NOTE: All dimensions are inches [mm]

Tank Dimensions (inches)

Capacity (gal)	Part No	A Length	B Height	C Width	Mounting Centers		Access Cover	Material Thickness		Piece Weight (lb)
					D1 ± .12	D2 ± .12		End	Top	
10	V19910	24.00	18.00	16.00	20.25	14.50	12.00	11 Ga	7 Ga	80
15	V19915	26.00	19.00	18.00	22.25	16.50	12.00	7 Ga	7 Ga	105
20	V19920	32.00	18.00	21.00	28.12	19.50	12.00	11 Ga	7 Ga	124
30	V19930	36.00	19.38	24.00	32.25	22.50	12.00	7 Ga	7 Ga	178
40	V19940	36.00	21.00	24.00	32.25	22.50	12.00	7 Ga	7 Ga	190
50	V19950	36.00	23.00	24.00	32.25	22.50	12.00	7 Ga	7 Ga	200
60	V19960	38.00	25.00	25.00	34.25	23.50	18.00	7 Ga	.25	242
80	V19980	47.00	26.88	30.00	43.25	28.50	18.00	7 Ga	.25	365
100	V199100	47.00	29.00	30.00	43.25	28.50	18.00	7 Ga	.25	375
120	V199120	60.00	27.00	30.00	56.25	28.50	18.00	7 Ga	.38	512
150	V199150	60.00	31.00	30.00	56.25	28.50	18.00	7 Ga	.38	523
200	V199200	72.00	29.00	36.00	68.25	34.50	18.00	.25	.38	769
300	V199300	82.00	29.00	48.00	77.00	45.00	18.00	.25	.50	1306

Dimensions and specifications are subject to change without notice. Not all items are Made-To-Stock, contact us for availability.

05/14

Ph : 920-682-6877
Fx : 920-684-7210



sales@ldi-industries.com
www.ldi-industries.com

JIC TYPE RESERVOIRS

STYLE RT

The Style RT Series JIC type reservoir has clean-out access on end(s) of reservoir and designed to accept a removable top. The reservoir has a lengthwise baffle positioned between opposing ends with circulation notch and one return connection. All reservoirs are supplied with a sight gage, access cover(s) and channel gasket. Reservoir tops are sold separately.

Standard Features:

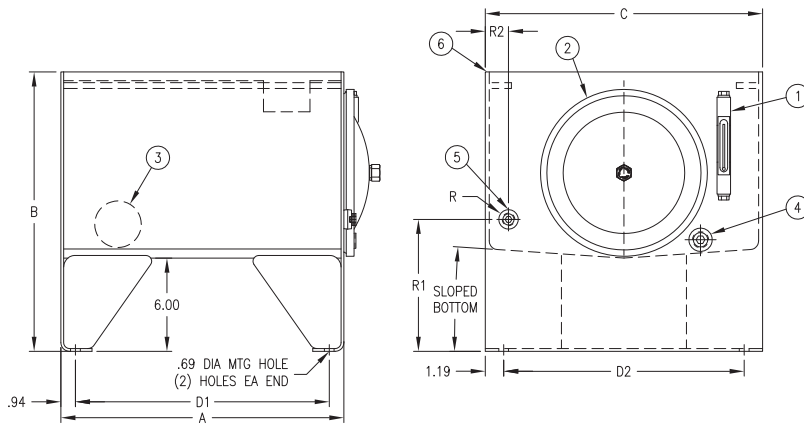
- (1) 5 inch G1620 Series sight gage
- Access cover(s) with gasket(s)
- Baffle with cutout for circulation
- (1) 3/4 inch NPT drain with plug
- (1) Return connection
- Channel gasket (not shown) for removable top
 - Removable top plates are ordered as separate items (see page 6)
- Exterior of reservoir prime painted
- Interior of reservoir coated with rust preventative oil

- Materials
 - Carbon steel reservoir
 - Buna N seals
 - Aluminum sight gage

- NOTE**
- Drain plugs need to be sealed and tightened before use
 - Sight gage shipped loose inside reservoir
 - Industry accepted design practice for hydraulic systems limits maximum operating temperature to 180° F (82° C), but materials used for fabrication of the reservoirs are capable of operating between -40° and 250° F (-40° and 121° C)

CAUTION:

- Reservoirs are not designed for internal positive or negative pressure applications. For these applications, consult the factory.



NOTE: All dimensions are inches

Clean Out Covers

Capacity (gal)	Diameter (inches)	Number of Covers
10	10.00	
20	10.00	(1) on sight gage end only
35	10.00	
50 to 210	14.00	(2) with one on each end

Tank Dimensions (inches)

Capacity (gal)	Part No.	A Length	B Height	C Width	Mounting Centers		Return Connections			Piece Weight* (lb)
					D1 ± .12	D2 ± .12	R NPT	R1	R2	
10	V12210	18.25	18.00	17.88	16.38	15.50	1/2	8.50	1.50	90
20	V12220	29.38	18.00	17.88	27.50	15.50	1	8.50	1.50	120
35	V12235	35.38	18.25	23.88	33.50	21.50	1-1/2	9.50	3.00	160
50	V12250	35.38	23.00	23.88	33.50	21.50	1-1/2	9.50	3.00	200
70	V12270	47.38	21.00	26.88	45.50	24.50	1-1/2	9.50	3.00	240
90	V12290	59.38	21.50	26.88	57.50	24.50	2	9.50	3.00	281
130	V122130	59.38	26.00	29.88	57.50	27.50	2	9.50	3.00	345
160	V122160	59.38	31.00	29.88	57.50	27.50	2	9.50	3.00	398
210	V122210	71.38	28.25	35.88	69.00	33.50	2	9.50	3.00	484

*Note: Above weights do not include covers

Dimensions and specifications are subject to change without notice. Not all items are Made-To-Stock, contact us for availability.

03/18

Ph : 920-682-6877
Fx : 920-684-7210



sales@ldi-industries.com
www.ldi-industries.com

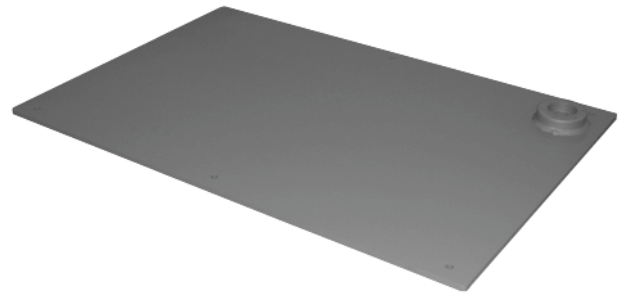
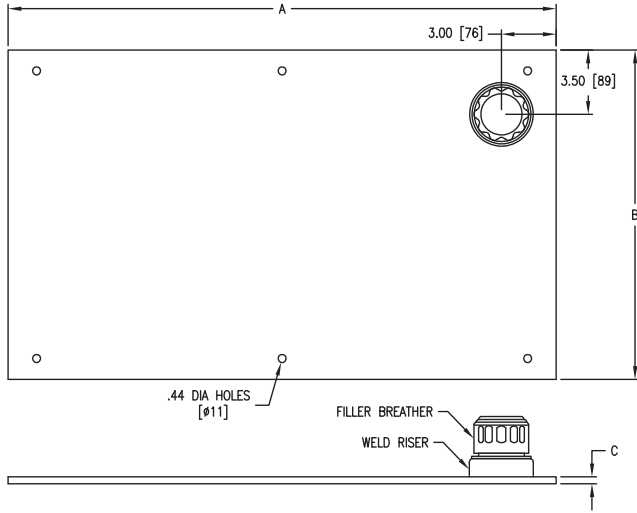
JIC TYPE RESERVOIRS

STYLE RT REMOVABLE TOP

The Style RT Reservoir Top Series provides users with multiple options of cover thickness for each size Style RT reservoir. The reservoir tops have pre-drilled mounting holes and a welded riser for mounting a filler breather provided loose with each reservoir top. Reservoirs are sold separately.

Standard Features:

1. Mate with Style RT Series reservoirs ranging in size from 10 to 210 gallons
2. Depending on reservoir capacity, cover thickness ranges from 1/4 to 1.00 inch thick
3. Exterior and side surfaces painted with LDI gray primer
4. Interior surface coated with a rust preventative oil
5. 5275 riser for mounting 5201 filler breather (included)
6. Materials:
 - Carbon steel top
 - Zinc plated carbon steel fill cap with nylon strainer basket



NOTE: All dimensions are inches [mm]

Reservoir Top Dimensions (inches)					
Capacity (gal)	Part No.	Dimensions			Piece Weight (lb)
		A	B	C	
10	465001	19.00	18.00	.25	25
10	465002	19.00	18.00	.38	37
10	465003	19.00	18.00	.50	50
20	465004	30.00	18.00	.25	39
20	465005	30.00	18.00	.38	59
20	465006	30.00	18.00	.50	78
35/50	465007	36.00	24.00	.25	62
35/50	465008	36.00	24.00	.38	94
35/50	465009	36.00	24.00	.50	123
35/50	465010	36.00	24.00	.75	184
70	465015	48.00	27.00	.25	93
70	465016	48.00	27.00	.38	140
70	465017	48.00	27.00	.50	186
70	465018	48.00	27.00	.75	279

Reservoir Top Dimensions (inches)					
Capacity (gal)	Part No.	Dimensions			Piece Weight (lb)
		A	B	C	
90	465019	60.00	27.00	.25	116
90	465020	60.00	27.00	.38	175
90	465021	60.00	27.00	.50	232
90	465022	60.00	27.00	.75	348
130/160	465023	60.00	30.00	.25	129
130/160	465024	60.00	30.00	.38	194
130/160	465026	60.00	30.00	.50	258
130/160	465027	60.00	30.00	.75	387
130/160	465028	60.00	30.00	1.00	516
210	465034	72.00	36.00	.25	186
210	465035	72.00	36.00	.38	278
210	465036	72.00	36.00	.50	371
210	465037	72.00	36.00	.75	566
210	465038	72.00	36.00	1.00	736

Ordering Information:

- Reservoirs do not include Removable Tops
- Removable Tops are ordered as separate items
- Please use LDI part number when ordering

Example:

465009

Cover Part No. _____

Note: Removable Top in example is a .38 inch thick top for a 35 gallon RT Reservoir

Dimensions and specifications are subject to change without notice. Not all items are Made-To-Stock, contact us for availability.

03/18

Ph : 920-682-6877
Fx : 920-684-7210



sales@ldi-industries.com
www.ldi-industries.com

JIC TYPE RESERVOIRS

CONTAINMENT TRAY

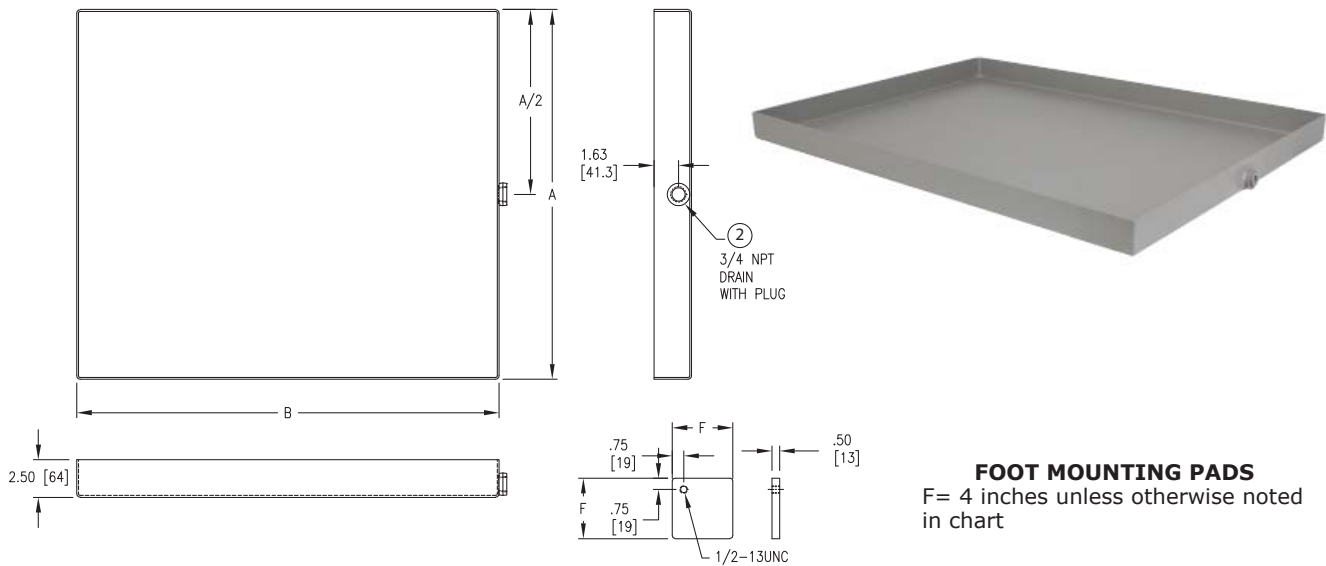
Containment trays are an optional accessory to JIC type reservoirs to contain minor leaks or weepage from system components during normal operation. Proper containment of these escaping fluids may help to limit contamination of the nearby environment and provide safer working conditions in areas otherwise negatively affected when exposed to the escaping fluid from the system. Reservoirs are sold separately.

Standard Features:

1. Mate with JIC type reservoirs ranging in size from 10 to 500 gallons
2. (1) 3/4 inch NPT drain port with plug
3. Foot mounting pads shipped loose
4. Prime painted LDI gray
5. Material
 - Carbon steel construction

NOTE

- Drain plugs need to be sealed and tightened before use
- See page 16 for reservoir/containment tray assembly



FOOT MOUNTING PADS
F = 4 inches unless otherwise noted in chart

NOTE: All dimensions are inches [mm]

Reservoir Capacity (gal)	Part No.	Tray Dimensions (inches)		Reservoir Type				Piece Weight (lb)
		A	B	Style A	Style B	Style RB	Style RT	
10	DPA-10	24.50	28.00	•		•	•	42
15	DPA-15	24.50	32.00	•		•		42
20	DPA-20	24.50	36.00	•			•	50
20	DPB-20	27.50	38.00		•	•		57
30	DPA-30	30.50	42.00	•		•		66
35	DPA-30	30.50	42.00				•	66
40	DPA-30	30.50	42.00	•		•		66
50	DPA-30	30.50	42.00	•		•	•	66
60	DPA-60	33.50	54.00	•				87
60	DPB-60	31.50	44.00		•	•		70
70	DPA-60	33.50	54.00				•	87
80	DPA-80	33.50	66.00	•				102
80	DPB-80	36.50	53.00		•	•		91
90	DPA-80	33.50	66.00				•	102

Reservoir Capacity (gal)	Part No.	Tray Dimensions (inches)		Reservoir Type				Piece Weight (lb)
		A	B	Style A	Style B	Style RB	Style RT	
100	DPA-80	33.50	66.00	•				91
100	DPB-80	36.50	53.00		•	•		102
120	DPA-120	36.50	66.00	•	•	•		110
130	DPA-120	36.50	66.00				•	110
150	DPA-120	36.50	66.00	•	•	•		110
160	DPA-120	36.50	66.00				•	110
200	DPA-200	42.50	78.00	•	•	•		144
210	DPA-200	42.50	78.00				•	144
250	DPA-200	42.50	78.00		•			144
300	DPA-200	42.50	78.00	•				144
300	*DPB-300	54.50	88.00			•		200
400	*DPA-400	54.50	78.00	•				179
500	*DPA-400	54.50	78.00	•				179

* 5 inch foot mounting pads for these part numbers.

NOTE: For Reservoir sizes not listed or custom sizes — consult factory

Dimensions and specifications are subject to change without notice. Not all items are Made-To-Stock, contact us for availability.

02/14

Ph : 920-682-6877
Fx : 920-684-7210



sales@ldi-industries.com
www.ldi-industries.com

JIC TYPE RESERVOIRS

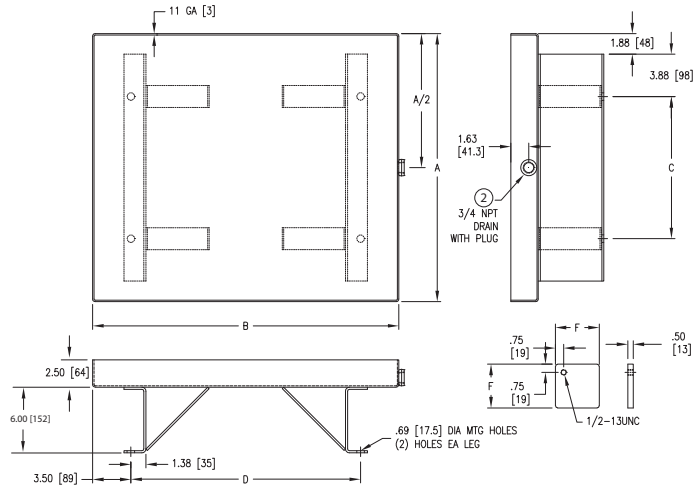
CONTAINMENT STAND

Containment stands with integral containment tray are an optional accessory to JIC type reservoirs to contain minor leaks or weepage from system components during normal operation. The stand feature provides for more convenient movement and placement of the system within the work place once assembled. Proper containment of fluids escaping from the system may help to limit contamination of the nearby environment and provide safer working conditions in areas otherwise negatively affected when exposed to the escaping fluid. Reservoirs are sold separately.

Standard Features:

1. Mate with JIC type reservoirs ranging in size from 10 to 500 gallons
2. (1) 3/4 inch NPT drain port with plug
3. Foot mounting pads (shipped loose)
4. Prime painted LDI gray
5. Material:
 - Carbon steel construction

- NOTE**
- Drain plugs need to be sealed and tightened before use
 - See page 16 for reservoir/containment stand assembly
 - Part numbers are for 6 inch high containment stands.
 - For 12 inch high containment stands, substitute -12 in part number - example: **DSA-10-12**



NOTE: All dimensions are inches [mm]

Reservoir Capacity (gal)	Part No.	Stand Dimensions (inches)				Reservoir Type				Piece Weight (lbs)	
		A	B	C	D	Style A	Style B	Style RB	Style RT	6 inch	12 inch
10	DSA-10-6	24.50	28.00	13.00	21.00	•		•	•	72	91
15	DSA-15-6	24.50	32.00	13.00	25.00	•		•		72	91
20	DSA-20-6	24.50	36.00	13.00	29.00	•			•	80	99
20	DSB-20-6	27.50	38.00	16.00	31.00		•	•		91	113
30	DSA-30-6	30.50	42.00	19.00	35.00	•			•	104	127
35	DSA-30-6	30.50	42.00	19.00	35.00				•	104	127
40	DSA-30-6	30.50	42.00	19.00	35.00	•			•	104	127
50	DSA-30-6	30.50	42.00	19.00	35.00	•			•	104	127
60	DSA-60-6	33.50	54.00	22.00	47.00	•				130	155
60	DSB-60-6	31.50	44.00	20.00	37.00		•	•		110	135
70	DSA-60-6	33.50	54.00	22.00	47.00				•	130	155
80	DSA-80-6	33.50	66.00	22.00	59.00	•				144	180
80	DSB-80-6	36.50	53.00	25.00	46.00		•	•		138	171
90	DSA-80-6	33.50	66.00	22.00	59.00				•	148	184
100	DSA-80-6	33.50	66.00	22.00	59.00	•				148	184
100	DSB-80-6	36.50	53.00	25.00	46.00		•	•		142	181
120	DSA-120-6	36.50	66.00	25.00	59.00	•	•	•		161	190
130	DSA-120-6	36.50	66.00	25.00	59.00				•	161	190
150	DSA-120-6	36.50	66.00	25.00	59.00	•	•	•		160	189
160	DSA-120-6	36.50	66.00	25.00	59.00				•	160	189
200	DSA-200-6	42.50	78.00	31.00	71.00	•	•	•		205	238
210	DSA-200-6	42.50	78.00	31.00	71.00				•	205	238
250	DSA-200-6	42.50	78.00	31.00	71.00		•			205	238
300	DSA-200-6	42.50	78.00	31.00	71.00	•				205	238
300	*DSB-300-6	54.50	88.00	43.00	81.00		•	•		278	314
400	*DSA-400-6	54.50	78.00	43.00	71.00	•				256	298
500	*DSA-400-6	54.50	78.00	43.00	71.00	•				256	298

* 5 inch foot mounting pads for these part numbers.

FOOT MOUNTING PADS

F= 4 inches unless otherwise noted in chart



Note: For reservoir sizes not listed or custom sizes - consult factory

Dimensions and specifications are subject to change without notice. Not all items are Made-To-Stock, contact us for availability.

08/15

Ph : 920-682-6877
Fx : 920-684-7210



sales@ldi-industries.com
www.ldi-industries.com

JIC TYPE RESERVOIRS

OVERHEAD RESERVOIR BASE - BOTTOM SECTION

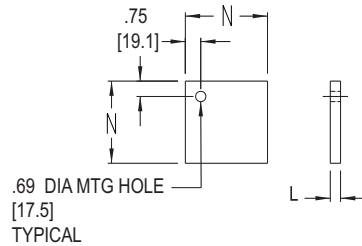
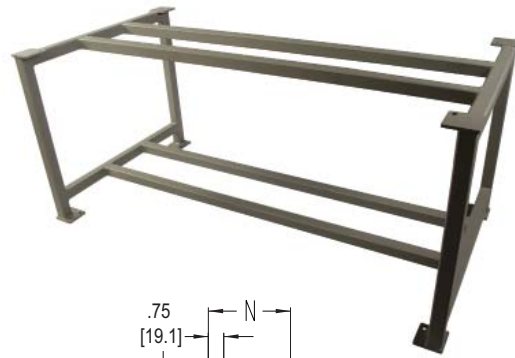
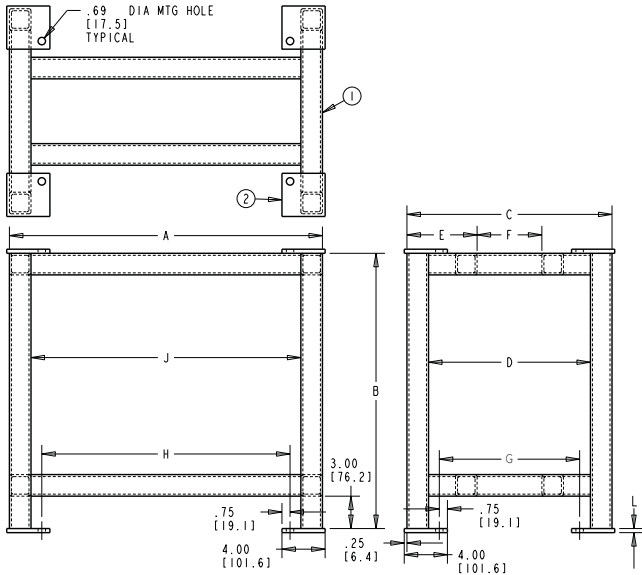
10 to 100 Gallon Reservoir Capacity

Containment trays are an optional accessory to JIC type reservoirs to contain minor leaks or weepage from system components during normal operation. Proper containment of these escaping fluids may help to limit contamination of the nearby environment and provide safer working conditions in areas otherwise negatively affected when exposed to the escaping fluid from the system. Reservoirs are sold separately.

Standard Features:

1. Square tube construction
2. (4) .38 inch thick (.69 inch dia clearance hole) mounting pads (shipped loose)
3. Mate with JIC type reservoirs ranging in size from 10 to 100 gallons
4. Base provides 3.38 inches of floor clearance
5. Prime painted LDI gray
6. Material:
 - Carbon steel construction

NOTE - See page 16 for reservoir containment stand assembly



FOOT MOUNTING PADS

- N= 4 inches (10 to 210 GALLON)
- N= 5 inches (250 GALLON AND UP)

NOTE: All dimensions are inches [mm]

Reservoir Size (gal)	Part No.	Overhead Reservoir Base Dimensions (inches)										Reservoir Type				Piece Weight (lbs)
		A	B	C	D	E	F	G	H	J	L	Style A	Style B	Style RB	Style RT	
10	V-7202-B	21.00	25.50	19.00	15.00	6.50	6.00	13.00	15.00	17.00	.38	•				97
10	V-7217-B	23.00	25.50	17.00	13.00	5.50	6.00	11.00	17.00	19.00	.38		•	•		97
10	V-7299-B	18.25	24.50	19.00	15.00	6.50	6.00	13.00	12.25	12.25	.38				•	97
15	V-7203-B	25.00	25.50	19.00	15.00	6.50	6.00	13.00	19.00	21.00	.38	•		•		103
20	V-7204-B	29.00	25.50	19.00	15.00	6.50	6.00	13.00	23.00	25.00	.38	•			•	109
20	V-7218-B	31.00	25.50	22.00	18.00	8.00	6.00	16.00	25.00	27.00	.38		•	•		115
30	V-7205-B	35.00	25.50	25.00	21.00	9.50	6.00	19.00	29.00	31.00	.38	•		•		126
35	V-7205-B	35.00	25.50	25.00	21.00	9.50	6.00	19.00	29.00	31.00	.38				•	126
40	V7205-B	35.00	25.50	25.00	21.00	9.50	6.00	19.00	29.00	31.00	.38	•		•		126
50	V7205-B	35.00	25.50	25.00	21.00	9.50	6.00	19.00	29.00	31.00	.38	•		•	•	126
60	V-7208-B	47.00	31.75	28.00	24.00	9.50	9.00	22.00	41.00	43.00	.38	•				156
60	V-7220-B	37.00	31.75	26.00	22.00	8.50	9.00	20.00	31.00	33.00	.38		•	•		139
70	V-7208-B	47.00	31.75	28.00	24.00	9.50	9.00	22.00	41.00	43.00	.38				•	156
80	V-7209-B	59.00	30.75	28.00	24.00	9.50	9.00	22.00	53.00	55.00	.38	•				172
80	V-7221-B	46.00	30.75	31.00	27.00	11.00	9.00	25.00	40.00	42.00	.38		•	•		157
90	V-7210-B	59.00	36.00	28.00	24.00	9.50	9.00	22.00	53.00	55.00	.38				•	180
100	V-7210-B	59.00	36.00	28.00	24.00	9.50	9.00	22.00	53.00	55.00	.38	•				180
100	V-7222-B	46.00	30.75	31.00	27.00	11.00	9.00	25.00	40.00	42.00	.38		•	•		157

Note: For reservoir sizes not listed or custom sizes - consult factory

Dimensions and specifications are subject to change without notice. Not all items are Made-To-Stock, contact us for availability.

02/14

Ph : 920-682-6877
Fx : 920-684-7210



sales@ldi-industries.com
www.ldi-industries.com

JIC TYPE RESERVOIRS

OVERHEAD RESERVOIR BASE - BOTTOM SECTION

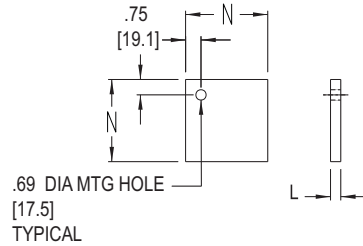
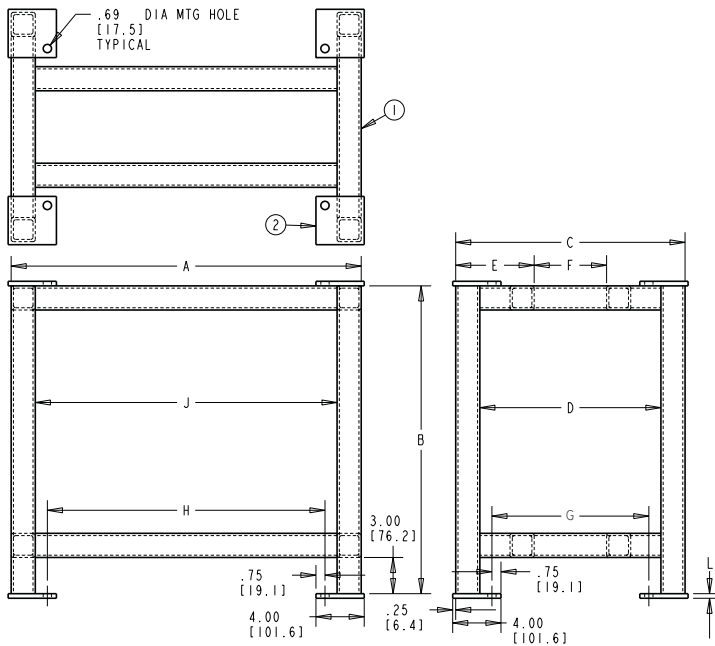
120 to 500 Gallon Reservoir Capacity

Containment trays are an optional accessory to JIC type reservoirs to contain minor leaks or weepage from system components during normal operation. Proper containment of these escaping fluids may help to limit contamination of the nearby environment and provide safer working conditions in areas otherwise negatively affected when exposed to the escaping fluid from the system. Reservoirs are sold separately.

Standard Features:

1. Square tube construction
2. (4) .38 or .50 inch thick (.69 inch dia clearance hole) mounting pads (shipped loose)
3. Mate with JIC type reservoirs ranging in size from 120 to 500 gallons
4. Base provides 3.38 inches of floor clearance
5. Prime painted LDI gray
6. Material:
 - Carbon steel construction

NOTE - See page 16 for reservoir containment stand assembly



FOOT MOUNTING PADS

N= 4 inches (10 to 210 GALLON)
N= 5 inches (250 GALLON AND UP)

NOTE: All dimensions are inches [mm]

Overhead Reservoir Base Dimensions (inches)													Reservoir Type				
Reservoir Size (gal)	Part No.	A	B	C	D	E	F	G	H	J	L	M	Style A	Style B	Style RB	Style RT	Piece Weight (lbs)
120	V-7211-B	59.00	36.00	31.00	27.00	11.00	9.00	25.00	53.00	55.00	.38	2.00 x .19	•				184
120	V-7223-B	59.00	30.75	31.00	27.00	11.00	9.00	25.00	53.00	55.00	.38	2.00 x .19		•	•		176
130	V-7211-B	59.00	36.00	31.00	27.00	11.00	9.00	25.00	53.00	55.00	.38	2.00 x .19				•	184
150	V-7211-B	59.00	36.00	31.00	27.00	11.00	9.00	25.00	53.00	55.00	.38	2.00 x .19	•				184
150	V-7223-B	59.00	30.75	31.00	27.00	11.00	9.00	25.00	53.00	55.00	.38	2.00 x .19		•	•		176
160	V-7212-B	59.00	36.00	31.00	27.00	11.00	9.00	25.00	53.00	55.00	.38	2.00 x .19				•	184
200	V-7213-B	71.00	36.00	37.00	33.00	14.00	9.00	31.00	65.00	67.00	.38	2.00 x .19	•				210
200	V-7225-B	71.00	30.75	37.00	33.00	14.00	9.00	31.00	65.00	67.00	.38	2.00 x .19		•	•		202
210	V-7213-B	71.00	36.00	37.00	33.00	14.00	9.00	31.00	65.00	67.00	.38	2.00 x .19				•	210
250	V-7384-B	71.00	30.75	37.00	31.00	14.00	9.00	29.00	63.00	65.00	.50	3.00 x .19		•			328
300	V-7214-B	71.00	40.00	37.00	31.00	14.00	9.00	29.00	63.00	65.00	.50	3.00 x .19	•				340
300	V7226-B	81.00	30.75	49.00	43.00	20.00	9.00	41.00	73.00	75.00	.50	3.00 x .19		•	•		369
400	V-7215-B	71.00	40.00	49.00	43.00	20.00	9.00	41.00	63.00	65.00	.50	3.00 x .19	•				367
400	V-7227-B	95.00	30.75	73.00	67.00	32.00	9.00	65.00	87.00	89.00	.50	3.00 x .19		•			456
500	V-7215-B	71.00	40.00	49.00	43.00	20.00	9.00	41.00	63.00	65.00	.50	3.00 x .19	•				367

Note: For reservoir sizes not listed or custom sizes - consult factory

Dimensions and specifications are subject to change without notice. Not all items are Made-To-Stock, contact us for availability.

02/14

Ph : 920-682-6877
Fx : 920-684-7210



sales@ldi-industries.com
www.ldi-industries.com

JIC TYPE RESERVOIRS

OVERHEAD RESERVOIR BASE - TOP SECTION

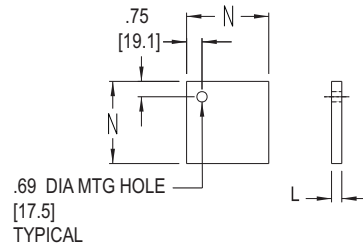
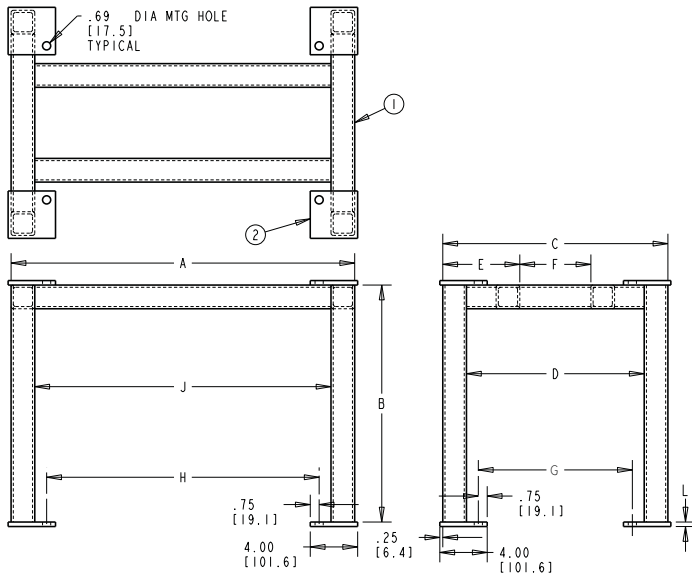
10 to 100 Gallon Reservoir Capacity

The top section overhead reservoir base is designed to be mounted to a bottom section for additional components. Together these overhead reservoir bases provide the system framework required to vertically layer mounting of the reservoir and other major system components to minimize the overall system footprint. Reservoirs are sold separately.

Standard Features:

1. Square tube construction, 2.00 x .19W
2. (4) .38 inch thick (.69 inch dia clearance hole) mounting pads (shipped loose)
3. Mate with JIC type reservoirs ranging in size from 10 to 100 gallons
4. Designed to be assembled to a bottom section overhead reservoir base
5. Prime painted LDI gray
6. Material:
 - Carbon steel construction

NOTE - See page 16 for reservoir containment stand assembly



FOOT MOUNTING PADS

- N = 4 inches (10 to 210 GALLON)
- N = 5 inches (250 GALLON AND UP)

NOTE: All dimensions are inches [mm]

Reservoir Capacity (gal)	Part No.	Overhead Reservoir Base Dimensions (inches)										Reservoir Type				Piece Weight (lbs)
		A	B	C	D	E	F	G	H	J	L	Style A	Style B	Style RB	Style RT	
10	V-7202-T	21.00	20.00	19.00	15.00	6.50	6.00	13.00	15.00	17.00	.38	•				65
10	V-7217-T	23.00	20.00	17.00	13.00	5.50	6.00	11.00	17.00	19.00	.38		•	•		65
10	V-7299-T	18.25	21.00	19.00	15.00	6.50	6.00	13.00	12.25	14.25	.38				•	65
15	V-7203-T	25.00	20.00	19.00	15.00	6.50	6.00	13.00	19.00	21.00	.38	•		•		68
20	V-7204-T	29.00	20.00	19.00	15.00	6.50	6.00	13.00	23.00	25.00	.38	•			•	71
20	V-7218-T	31.00	20.00	22.00	18.00	8.00	6.00	16.00	25.00	27.00	.38		•	•		75
30	V-7205-T	35.00	20.00	25.00	21.00	9.50	6.00	19.00	29.00	31.00	.38	•		•		80
35	V-7205-T	35.00	20.00	25.00	21.00	9.50	6.00	19.00	29.00	31.00	.38				•	80
40	V-7205-T	35.00	20.00	25.00	21.00	9.50	6.00	19.00	29.00	31.00	.38	•		•		80
50	V-7205-T	35.00	20.00	25.00	21.00	9.50	6.00	19.00	29.00	31.00	.38	•		•	•	80
60	V-7208-T	47.00	25.75	28.00	24.00	9.50	9.00	22.00	41.00	43.00	.38	•				99
60	V-7220-T	37.00	25.75	26.00	22.00	8.50	9.00	20.00	31.00	33.00	.38		•	•		90
70	V-7208-T	47.00	25.75	28.00	24.00	9.50	9.00	22.00	41.00	43.00	.38				•	99
80	V-7209-T	59.00	25.75	28.00	24.00	9.50	9.00	22.00	53.00	55.00	.38	•				108
80	V-7221-T	46.00	25.75	31.00	27.00	11.00	9.00	25.00	40.00	42.00	.38		•	•		100
90	V-7210-T	59.00	28.00	28.00	24.00	9.50	9.00	22.00	53.00	55.00	.38				•	110
100	V-7210-T	59.00	28.00	28.00	24.00	9.50	9.00	22.00	53.00	55.00	.38	•				110
100	V-7222-T	46.00	25.75	31.00	27.00	11.00	9.00	25.00	40.00	42.00	.38		•	•	•	100

Note: For reservoir sizes not listed or custom sizes - consult factory

Dimensions and specifications are subject to change without notice. Not all items are Made-To-Stock, contact us for availability.

02/14

Ph : 920-682-6877
Fx : 920-684-7210



sales@ldi-industries.com
www.ldi-industries.com

JIC TYPE RESERVOIRS

OVERHEAD RESERVOIR BASE - TOP SECTION

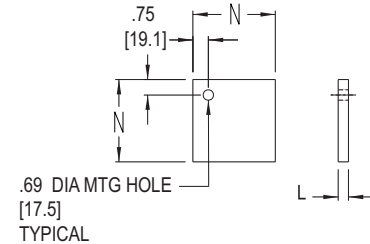
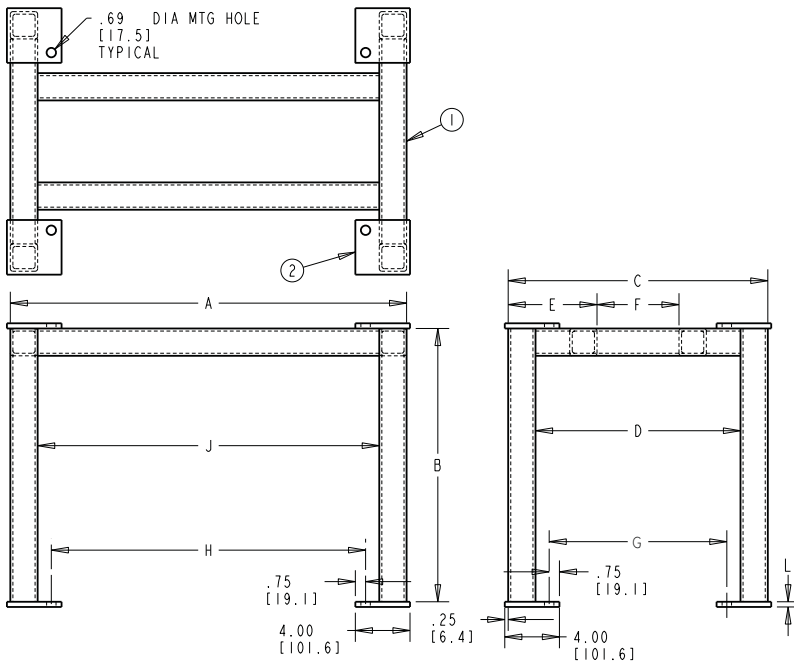
120 to 500 Gallon Reservoir Capacity

The top section overhead reservoir base is designed to be mounted to a bottom section for additional components. Together these overhead reservoir bases provide the system framework required to vertically layer mounting of the reservoir and other major system components to minimize the overall system footprint. Reservoirs are sold separately.

Standard Features:

1. Square tube construction
2. (4) .38 or .50 inch thick (.69 inch dia clearance hole) mounting pads (shipped loose)
3. Mate with JIC type reservoirs ranging in size from 120 to 500 gallons
4. Designed to be assembled to a bottom section overhead reservoir base
5. Prime painted LDI gray
6. Material:
 - Carbon steel construction

NOTE - See page 16 for reservoir containment stand assembly



FOOT MOUNTING PADS

- N= 4 inches (10 to 210 GALLON)
- N= 5 inches (250 GALLON AND UP)

NOTE: All dimensions are inches [mm]

Overhead Reservoir Base Dimensions (inches)												Reservoir Type					
Reservoir Capacity (gal)	Part No.	A	B	C	D	E	F	G	H	J	L	M	Style A	Style B	Style RB	Style RT	Piece Weight (lbs)
120	V-7211-T	59.00	28.00	31.00	27.00	11.00	9.00	25.00	53.00	55.00	.38	2.00 x .19	•				115
120	V-7223-T	59.00	25.75	31.00	27.00	11.00	9.00	25.00	53.00	55.00	.38	2.00 x .19		•	•		109
130	V-7211-T	59.00	28.00	31.00	27.00	11.00	9.00	25.00	53.00	55.00	.38	2.00 x .19				•	115
150	V-7211-T	59.00	28.00	31.00	27.00	11.00	9.00	25.00	53.00	55.00	.38	2.00 x .19	•				115
150	V-7223-T	59.00	25.75	31.00	27.00	11.00	9.00	25.00	53.00	55.00	.38	2.00 x .19		•	•		109
160	V-7212-T	59.00	28.00	31.00	27.00	11.00	9.00	25.00	53.00	55.00	.38	2.00 x .19				•	115
200	V-7213-T	71.00	28.00	37.00	33.00	14.00	9.00	31.00	65.00	67.00	.38	2.00 x .19	•				128
200	V-7225-T	71.00	25.75	37.00	33.00	14.00	9.00	31.00	65.00	67.00	.38	2.00 x .19		•	•		123
210	V-7213-T	71.00	28.00	37.00	33.00	14.00	9.00	31.00	65.00	67.00	.38	2.00 x .19				•	128
250	V-7384-T	71.00	25.75	37.00	31.00	14.00	9.00	29.00	63.00	65.00	.50	3.00 x .19		•			202
300	V-7214-T	71.00	28.00	37.00	31.00	14.00	9.00	29.00	63.00	65.00	.50	3.00 x .19	•				202
300	V-7226-T	81.00	25.75	49.00	43.00	20.00	9.00	41.00	73.00	75.00	.50	3.00 x .19		•	•		223
400	V-7215-T	71.00	40.00	49.00	43.00	20.00	9.00	41.00	63.00	65.00	.50	3.00 x .19	•				244
400	V-7227-T	95.00	25.75	73.00	67.00	32.00	9.00	65.00	87.00	89.00	.50	3.00 x .19		•			266
500	V-7215-T	71.00	40.00	49.00	43.00	20.00	9.00	41.00	63.00	65.00	.50	3.00 x .19	•				244

Note: For reservoir sizes not listed or custom sizes - consult factory

Dimensions and specifications are subject to change without notice. Not all items are Made-To-Stock, contact us for availability.

02/14

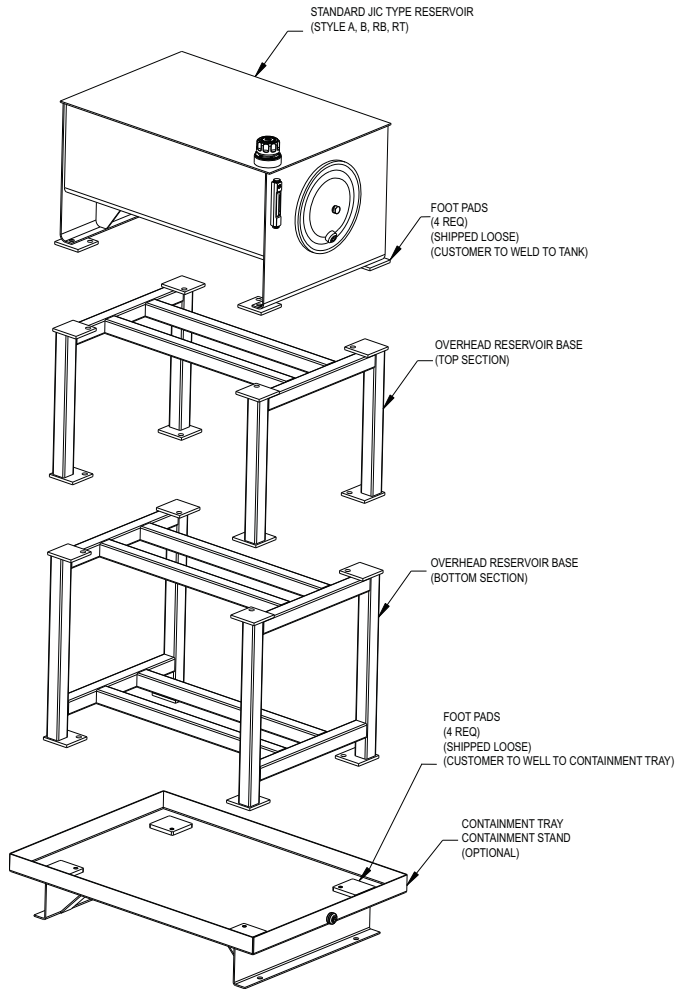
Ph : 920-682-6877
Fx : 920-684-7210



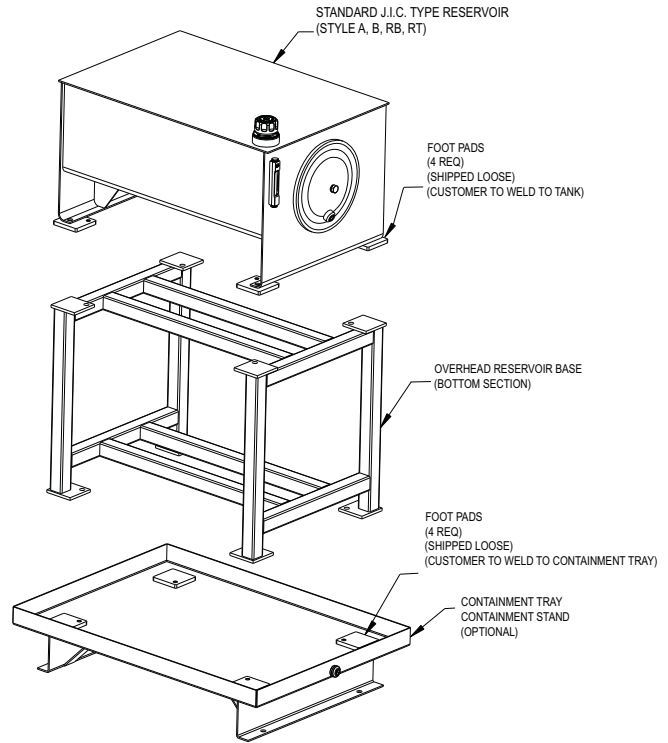
sales@ldi-industries.com
www.ldi-industries.com

RESERVOIR CONTAINMENT STAND ASSEMBLY

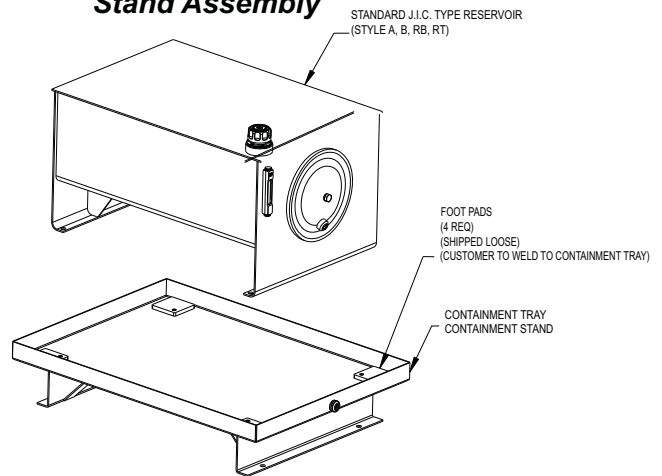
Double Overhead Reservoir Assembly



Single Overhead Reservoir Assembly



Containment Tray / Stand Assembly



Dimensions and specifications are subject to change without notice. Not all items are Made-To-Stock, contact us for availability.

02/14

Ph : 920-682-6877
 Fx : 920-684-7210



sales@ldi-industries.com
 www.ldi-industries.com

RESERVOIRS W/INTEGRATED SKIDS

STYLE C, L-SHAPED

The Style C, L-Shaped Series provide users with a vertical reservoir and an adjacent platform for mounting system components. The reservoir cover is hinged for convenient access to the inside of the reservoir. The reservoir and platform are fully supported by and welded to a skid allowing for most system assembly to be completed remotely and then transported to another location for drop in installation.

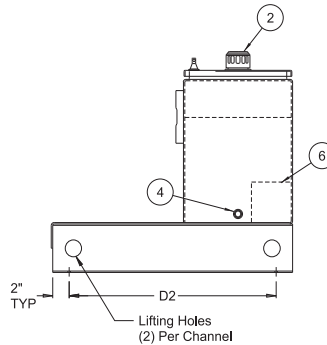
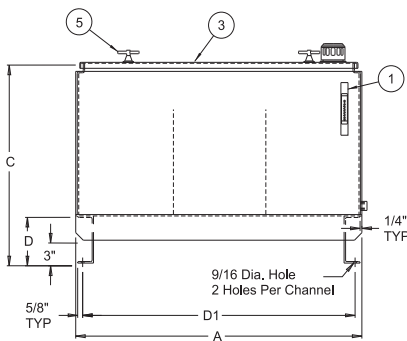
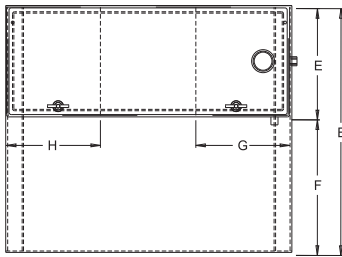
Standard Features:

- (1) 5 inch G1620 Series sight gage on capacities of less than 300 gallons; (1) 10 inch G1615 Series sight gage on 300 gallon capacities and above
- (1) 5201 Filler Breather
- (1) Hinged Cover with gasket
- (1) 3/4 inch NPT drain with plug
- (2) T-Handles, (3) for 200 gallon and up
- Baffle(s) with cutout for circulation
- Exterior painted with a LDI gray primer
- Interior coated with rust preventative oil
- 100 gallon and 120 gallon include (1) door chain (not shown)
- Materials
 - Carbon steel reservoir
 - Buna N seals
 - Aluminum sight gage
 - Zinc plated fill cap with nylon strainer basket

CAUTION:

Reservoirs are not designed for internal positive or negative pressure applications. For these applications, consult the factory.

- NOTE**
- Drain plugs need to be sealed and tightened before use
 - Sight gage, filler breather and T-handles shipped loose inside reservoir
 - Industry accepted design practice for hydraulic systems limits maximum operating temperature to 180° F (82° C), but materials used for fabrication of the reservoirs are capable of operating between -40° and 250° F (-40° and 121° C)



NOTE: All dimensions are inches

Tank Dimensions (inches)

Capacity (gal)	Part No.	A	B	C	D	E	F	G	H	Mounting Centers		Piece Weight (lbs)
										D1 ± .12	D2 ± .12	
10	VL-10	24.00	23.38	23.88	6.00	11.12	12.25	11.00	N/A	22.25	19.00	129
20	VL-20	30.00	27.38	25.88	6.00	13.50	13.88	12.00	N/A	28.25	23.00	180
30	VL-30	36.00	30.38	29.88	6.00	13.75	16.62	12.00	N/A	34.25	26.00	231
45	VL-45	54.00	31.38	29.88	6.00	13.75	17.62	12.00	12.00	52.25	27.00	335
60	VL-60	48.00	37.38	35.75	6.00	16.75	20.62	16.00	N/A	46.25	33.00	362
80	VL-80	66.00	38. ⁵⁶	35. ⁹⁴	6.00	16.38	22.00	16.00	16.00	64.25	34.00	670
100	VL-100	60.00	42. ⁵⁶	38. ⁹⁴	6.00	19.38	23.00	16.00	N/A	58.25	38.00	715
120	VL-120	72.00	42. ⁵⁶	39. ⁰⁶	6.00	19.38	23.00	16.00	16.00	70.25	38.00	836
150	VL-150	72.00	50. ⁵⁶	39. ⁰⁶	6.00	25.38	25.00	16.00	N/A	70.25	46.00	939
200	VL-200	84.00	51. ⁵⁶	42. ⁰⁶	6.00	25.38	26.00	16.00	16.00	82.25	47.00	1128
300	VL-300	84.00	60. ⁰⁰	54. ¹⁹	6.00	25.38	34.44	16.00	16.00	82.25	55.50	1400
400	VL-400	84.00	60. ⁰⁰	54. ¹⁹	6.00	28.38	31.44	16.00	16.00	82.25	55.50	1610
500	VL-500	84.00	60. ⁰⁰	60. ¹⁹	6.00	32.38	27.44	18.00	18.00	82.25	55.50	1782
600	VL-600	90.00	62. ⁰⁰	66. ¹⁹	6.00	30.38	31.44	22.00	22.00	88.25	57.50	1838

Dimensions and specifications are subject to change without notice. Not all items are Made-To-Stock, contact us for availability.

04/15

Ph : 920-682-6877
Fx : 920-684-7210



sales@ldi-industries.com
www.ldi-industries.com

RESERVOIRS W/INTEGRATED SKIDS

STYLE C, T-SHAPED

The Style C, T-Shaped Series provide users with a vertical reservoir straddled by platforms for mounting system components. The reservoir cover is hinged for convenient access to the inside of the reservoir. The reservoir and platforms are fully supported by and welded to a skid allowing for most system assembly to be completed remotely and then transported to another location for drop in installation.

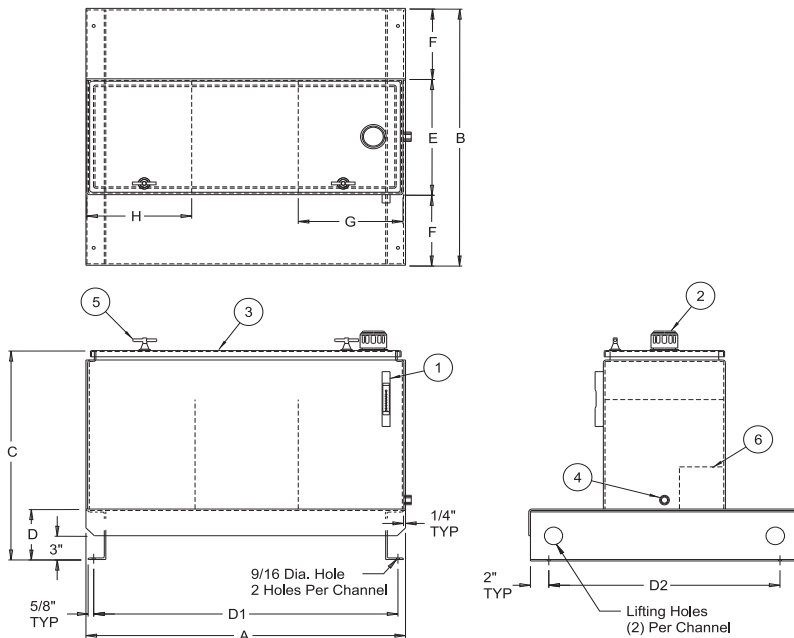
Standard Features:

- (1) 5 inch G1620 Series sight gage on capacities of less than 300 gallons; (1) 10 inch G1620 Series sight gage on 300 gallon capacities and above
- (1) 5201 filler breather
 - Bayonet style - 40 micron
- (1) Hinged Cover with gasket
- (1) 3/4 inch NPT drain with plug
- (2) T-handles
 - (3) for 200 & 300 gallon tanks
 - Baffle(s) with cutout for circulation
- Reservoir covers are secured with multiple T-handle latches and supported by chain when opened
- Exterior painted with a LDI gray primer
- Interior coated with rust preventative oil
- 100 gallon to 300 gallon include (1) door chain (not shown)
10. Materials
 - Carbon steel reservoir
 - Buna N seals
 - Aluminum sight gage
 - Zinc plated fill cap with nylon strainer basket

- NOTE**
- Drain plugs need to be sealed and tightened before use
 - Sight gage, filler breather and T-handles shipped loose inside reservoir
 - Industry accepted design practice for hydraulic systems limits maximum operating temperature to 180° F (82° C), but materials used for fabrication of the reservoirs are capable of operating between -40° and 250° F (-40° and 121° C)

CAUTION:

- Reservoirs are not designed for internal positive or negative pressure applications. For these applications, consult the factory.



NOTE: All dimensions are inches

Tank Dimensions (inches)												
Capacity (gal)	Part No.	A	B	C	D	E	F	G	H	Mounting Centers		Shipping Weight (lbs)
										D1 ± .12	D2 ± .12	
20	VLT-20	30.00	40.62	25.88	6.19	13.50	13.56	12.00	N/A	28.25	36.25	220
60	VLT-60	48.00	58.00	35.88	6.19	16.75	20.62	16.00	N/A	46.25	53.62	455
100	VLT-100	60.00	66.12	39.06	6.38	19.38	23.38	16.00	N/A	58.25	61.38	944
120	VLT-120	72.00	68.12	39.06	6.38	19.38	24.38	16.00	16.00	70.25	63.38	1130
150	VLT-150	71.88	76.12	39.06	6.38	25.38	25.38	16.00	N/A	70.25	71.38	1228
200	VLT-200	84.00	78.12	42.06	6.38	25.38	26.38	16.00	16.00	82.25	73.38	1470
300	VLT-300	83.88	77.75	54.19	6.50	25.38	26.19	16.00	16.00	82.25	73.25	1839

Dimensions and specifications are subject to change without notice. Not all items are Made-To-Stock, contact us for availability.

05/14

Ph : 920-682-6877
Fx : 920-684-7210



sales@ldi-industries.com
www.ldi-industries.com

RESERVOIRS W/INTEGRATED SKIDS

STYLE D, CUSTOM L-SHAPED

The Style D, L-Shaped Series provide users with a vertical reservoir and an adjacent platform for mounting system components. The reservoir cover is hinged for convenient access to the inside of the reservoir. The reservoir and platform are fully supported by and welded to a skid allowing for most system assembly to be completed remotely and then transported to another location for drop in installation.

Standard Features:

- (1) 5 inch G1620 Series sight gage
- (1) Riser with 5201 Filler Breather
 - Bayonet style - 40 micron
- Baffle with cutout for circulation
- (1) 3/4 inch NPT drain with plug
- (1) Return connection
- Channel gasket installed on reservoirs with bolt-on top
- Exterior painted with a LDI gray primer
- Interior coated with rust preventative oil

9. Materials

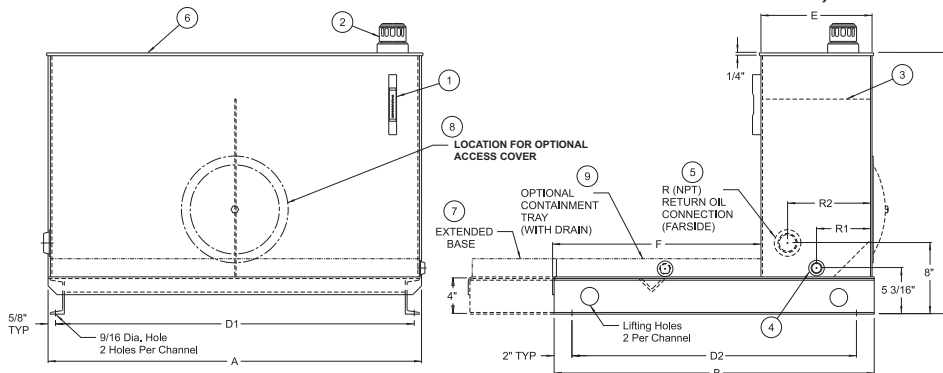
- Carbon steel reservoir
- Buna N seals
- Aluminum sight gage
- Zinc plated fill cap with nylon strainer basket

NOTE

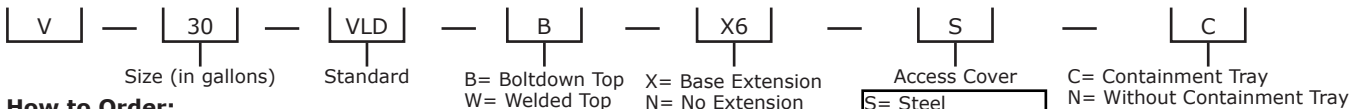
- Drain plugs need to be sealed and tightened before use
- Sight gage and filler breather shipped loose inside reservoir
- Channel gasket installed on reservoirs with bolt-on top
- Mounting hardware is supplied with bolt-on tops
- Industry accepted design practice for hydraulic systems limits maximum operating temperature to 180° F (82° C), but materials used for fabrication of the reservoirs are capable of operating between -40° and 250° F (-40° and 121° C)

CAUTION:

- Reservoirs are not designed for internal positive or negative pressure applications. For these applications, consult the factory.



NOTE: All dimensions are inches [mm]



How to Order:

"L" Shaped Style "D" Reservoir allows you to design the required reservoir for your individual needs.

Please use LDI Part Number when ordering. Fill in all items LEAVE NO BLANKS

- X6= 6" Base Extension
- X12= 12" Base Extension
- X18= 18" Base Extension
- X24= 24" Base Extension
- X***= Customer Specified Extension

Access Cover Selection		
Reservoir size (gal)	Steel Dia (inch)	DIN
10 to 60	12.00	324
80 to 200	16.00	449

Tank Dimensions (inches)

Capacity (gal)	LDI Model Code	Mounting Centers					Return Connections			Piece Weight (lbs)		
		A	B	C	E	F	D1	D2	R1		R2	R
10	VLD	24.00	22.00	26.31	6.50	15.44	22.25	18.00	3.06	4.50	.50	151
20	VLD	36.00	27.00	26.31	7.50	19.44	34.25	23.00	3.56	5.50	1.00	238
30	VLD	36.00	30.00	28.31	10.50	19.44	34.25	26.00	5.06	7.50	1.50	258
45	VLD	42.00	36.00	29.31	12.50	23.44	40.25	32.00	6.06	9.50	1.50	327
60	VLD	42.00	36.00	29.31	16.50	19.44	40.25	32.00	8.06	13.50	1.50	351
80	VLD	48.00	42.00	30.31	18.50	23.50	46.25	38.00	9.06	15.50	1.50	432
100	VLD	50.00	47.00	31.38	21.50	25.50	48.25	43.00	10.56	18.50	2.00	493
120	VLD	52.00	50.00	32.38	22.50	27.50	50.25	46.00	11.06	19.50	2.00	528
150	VLD	60.00	50.00	33.38	22.50	27.50	58.25	46.00	11.06	19.50	2.00	605
200	VLD	60.00	57.00	40.38	25.50	31.50	58.25	53.00	12.56	22.50	2.00	771

*Note: Dimensions above do not include extensions

Dimensions and specifications are subject to change without notice. Not all items are Made-To-Stock, contact us for availability.

05/14

Ph : 920-682-6877
Fx : 920-684-7210



sales@ldi-industries.com
www.ldi-industries.com

RESERVOIRS W/INTEGRATED SKIDS

STYLE F, L-SHAPED

The Style F, L-Shaped Series provide users with a vertical reservoir and an adjacent platform for mounting system components. The reservoir cover is partially hinged for convenient access to the inside of the reservoir, but also has a welded section designed for mounting accessories directly to the top of the reservoir. The reservoir and platform are fully supported by and welded to a skid allowing for most system assembly to be completed remotely and then transported to another location for drop-in installation.

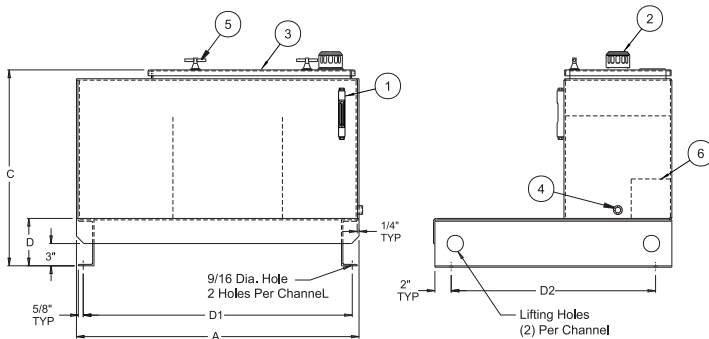
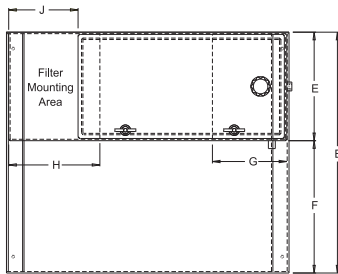
Standard Features:

1. ((1) 5 inch G1620 Series sight gage on capacities of less than 300 gallons; (1) 10 inch G1620 Series sight gage on 300 gallon capacities and above
2. (1) 5201 filler breather
 - Bayonet style - 40 micron
3. (1) Hinged cover with gasket
4. (1) 3/4 inch NPT drain with plug
5. (2) T-handles
 - (3) for 200 gallon and up
6. Baffle(s) with cutout for circulation
7. Reservoir covers are secured with multiple T-handle latches and supported by chain when opened
8. Exterior painted with a LDI gray primer
9. Interior coated with rust preventative oil
10. 100 gallon to 600 gallon include (1) door chain (not shown)
11. Materials
 - Carbon steel reservoir
 - Buna N seals
 - Aluminum sight gage
 - Zinc plated fill cap with nylon strainer basket

- NOTE**
- Drain plugs need to be sealed and tightened before use
 - Sight gage, filler breather and T-handles shipped loose inside reservoir
 - Industry accepted design practice for hydraulic systems limits maximum operating temperature to 180° F (82° C), but materials used for fabrication of the reservoirs are capable of operating between -40° and 250° F (-40° and 121° C)

CAUTION:

- Reservoirs are not designed for internal positive or negative pressure applications. For these applications, consult the factory.



NOTE: All dimensions are inches [mm]

Tank Dimensions (inches)

Capacity (gal)	Part No.	A	B	C	D	E	F	G	H	WELDED TOP J	Mounting Centers		Piece Weight (lbs)
											D1 ± .12	D2 ± .12	
80	V25880	59.88	38.38	36,06	6.38	13.38	25.00	16.00	16.00	12.00	58.25	34.00	574
100	V258100	59.88	42.56	36,06	6.38	16.38	26.00	16.00	16.00	12.00	58.25	38.00	720
120	V258120	72.00	42.56	36,06	6.38	16.38	26.00	16.00	16.00	12.00	70.25	38.00	847
150	V258150	72.00	50.56	39,06	6.38	18.38	32.00	16.00	16.00	12.00	70.25	46.00	945
200	V258200	84.00	51.56	42,06	6.38	18.38	33.00	16.00	24.00	16.00	82.25	47.00	1136
300	V258300	84.00	60.00	54,19	6.50	25.38	34.44	16.00	24.00	16.00	82.25	55.50	1409
400	V258400	84.00	60.00	54,19	6.50	28.38	31,44	16.00	24.00	16.00	82.25	55.50	1618
500	V258500	84.00	60.00	60,19	6.50	32.38	27,44	18.00	24.00	18.00	82.25	55.50	1793
600	V258600	90.00	62.00	66.19	6.50	30.38	31,44	22.00	30.00	20.00	88.25	57.50	1849

Dimensions and specifications are subject to change without notice. Not all items are Made-To-Stock, contact us for availability.

05/14

Ph : 920-682-6877
Fx : 920-684-7210



sales@ldi-industries.com
www.ldi-industries.com

HORIZONTAL RESERVOIRS

HORIZONTAL REMOVABLE TOP

The non-JIC type horizontal steel reservoirs have a bolt on top and an internal baffle extending from one end with clearance above and on the return side of the reservoir. The reservoirs have a low profile flat bottom with mounting feet outward from the ends. Each reservoir is supplied with a sight gage, filler breather, steel top and top cover gasket.

Standard Features:

1. (1) 5 inch GT623 Series sight gage
2. Filler breather (no hole provided)
 - Bayonet style 40 micron
3. (1) 3/4 inch NPT drain with plug
4. Top plate gasket
5. Steel construction with removable top
6. Exterior of reservoir prime painted
7. Interior of reservoir coated with rust preventative oil

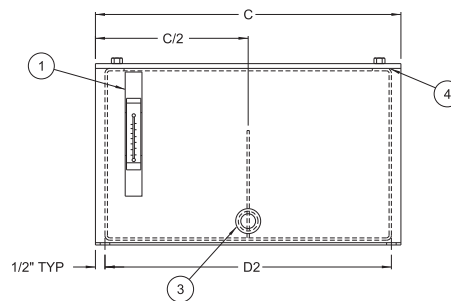
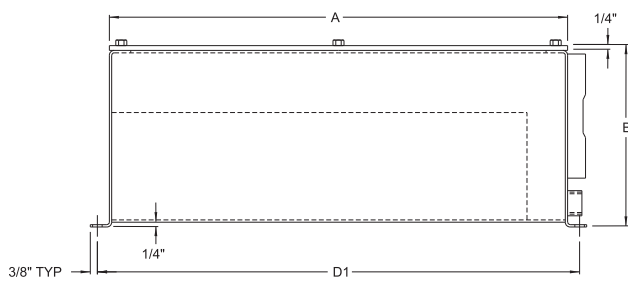
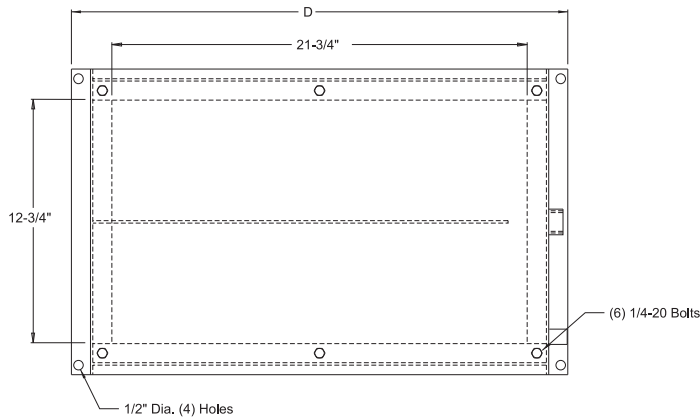
8. Materials

- Carbon steel construction
- Buna N sight gage seals and neoprene top gasket
- Transparent molded nylon sight gage with black powder coated steel guard
- Zinc plated fill cap with nylon strainer basket

- NOTE**
- Drain plugs need to be sealed and tightened before use
 - Sight gage and filler breather shipped loose inside reservoir
 - Industry accepted design practice for hydraulic systems limits maximum operating temperature to 180° F (82° C), but materials used for fabrication of the reservoirs are capable of operating between -40° and 212° F (-40° and 100° C)

CAUTION:

- Reservoirs are not designed for internal positive or negative pressure applications. For these applications, consult the factory.



NOTE: All dimensions are inches [mm]

Tank Dimensions (inches)								
Capacity (gal)	Part No.	A	B	C	D	Mounting Centers		Piece Weight (lbs)
						D1 ± .12	D2 ± .12	
10	V5300	24.00	9.75	16.00	26.00	25.25	15.00	72
20	V5301	24.00	15.75	16.00	26.00	25.25	15.00	80
30	V5302	24.00	21.75	16.00	26.00	25.25	15.00	112
40	V5303	24.00	27.75	16.00	26.00	25.25	15.00	133

LDI Part Number No Baffle
V215310
V215320
V215330
V215340

Dimensions and specifications are subject to change without notice. Not all items are Made-To-Stock, contact us for availability.

04/15

Ph : 920-682-6877
Fx : 920-684-7210



sales@ldi-industries.com
www.ldi-industries.com

HORIZONTAL RESERVOIRS

HORIZONTAL W/WELDED TOP (SMALL)

The small non-JIC type horizontal steel reservoirs with welded on top have an internal baffle extending from one end with clearance above and on the return side of the reservoir. The reservoirs have a low profile flat bottom with mounting feet outward from the ends. Clean-out access is provided from each end of the reservoir to facilitate cleaning on both sides of the baffle. Each reservoir is supplied with a sight gage, filler breather and access covers.

Standard Features:

1. (1) 5 inch GT623 Series sight gage
2. Filler breather (no hole provided)
 - Bayonet style 40 micron
3. (2) 6 inch access covers
4. Baffle with cutout for circulation
5. (1) 3/4 inch NPT drain with plug
6. Exterior of reservoir prime painted
7. Interior of reservoir coated with rust preventative oil

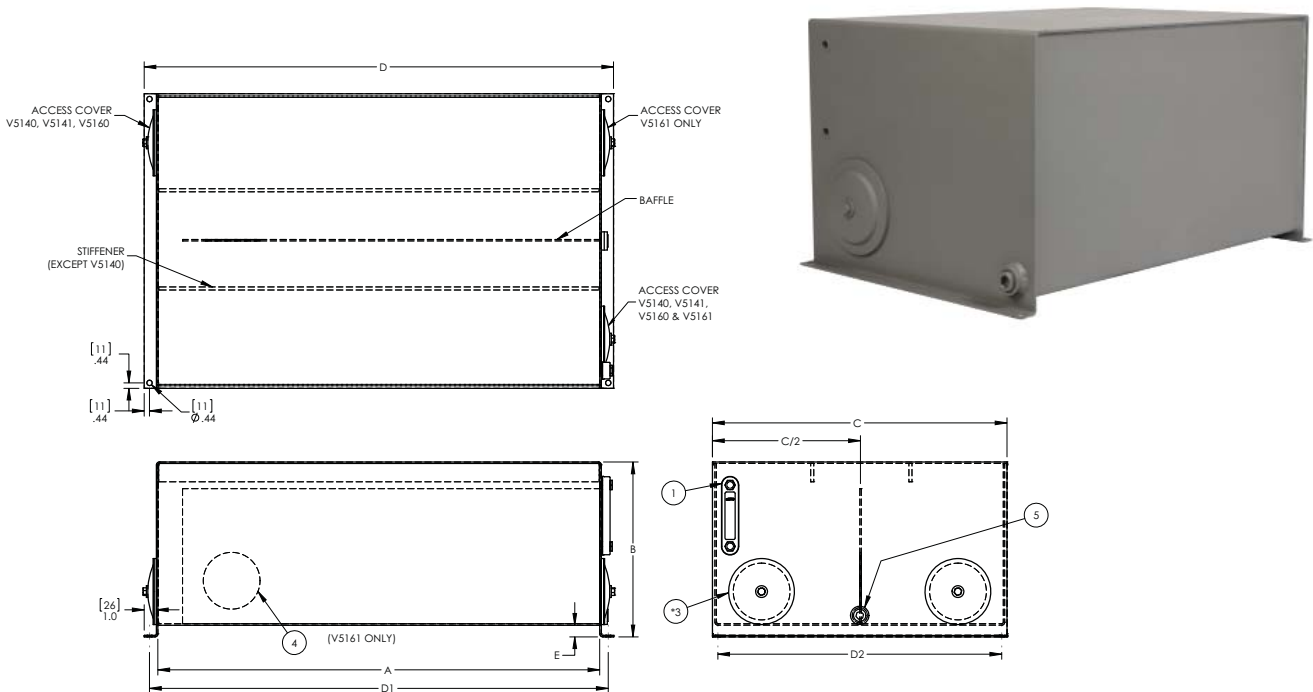
8. Materials

- Carbon steel construction
- Buna N seals
- Transparent molded nylon sight gage with black powder coated steel guard
- Zinc plated fill cap with nylon strainer basket

- NOTE**
- Drain plugs need to be sealed and tightened before use
 - Sight gage and filler breather shipped loose inside reservoir
 - Industry accepted design practice for hydraulic systems limits maximum operating temperature to 180° F (82° C), but materials used for fabrication of the reservoirs are capable of operating between -40° and 212° F (-40° and 100° C)

CAUTION:

- Reservoirs are not designed for internal positive or negative pressure applications. For these applications, consult the factory.



NOTE: All dimensions are inches [mm]

Tank Dimensions (inches)									
Capacity (gal)	Part No.	A	B	C	D	E	Mounting Centers		Piece Weight (lbs)
							D1 ± .12	D2 ± .12	
10	V5140	20.00	12.25	14.00	22.25	.69	21.38	13.12	55
20	V5141	24.00	14.25	18.00	26.25	.82	25.38	17.12	84
30	V5160	36.00	14.25	18.00	38.25	.94	37.38	17.12	114
40	V5161	36.00	14.25	24.00	38.25	.95	37.38	23.12	138

Dimensions and specifications are subject to change without notice. Not all items are Made-To-Stock, contact us for availability.

08/15

Ph : 920-682-6877
Fx : 920-684-7210



sales@ldi-industries.com
www.ldi-industries.com

HORIZONTAL RESERVOIRS

HORIZONTAL W/WELDED TOP (LARGE)

The large non-JIC type horizontal steel reservoirs have welded on tops and clean-out access on each end. The reservoir design incorporates a lengthwise baffle positioned between opposing clean-out openings. The internal baffle extends the full height of the reservoir with added circulation passages. The reservoirs have a low profile flat bottom with mounting feet outward from the ends. Each reservoir is supplied with a sight gage, filler breather and access covers.

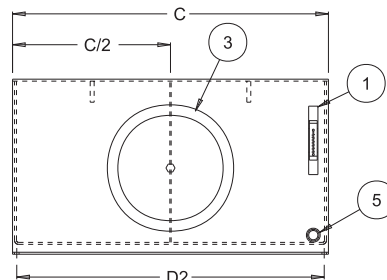
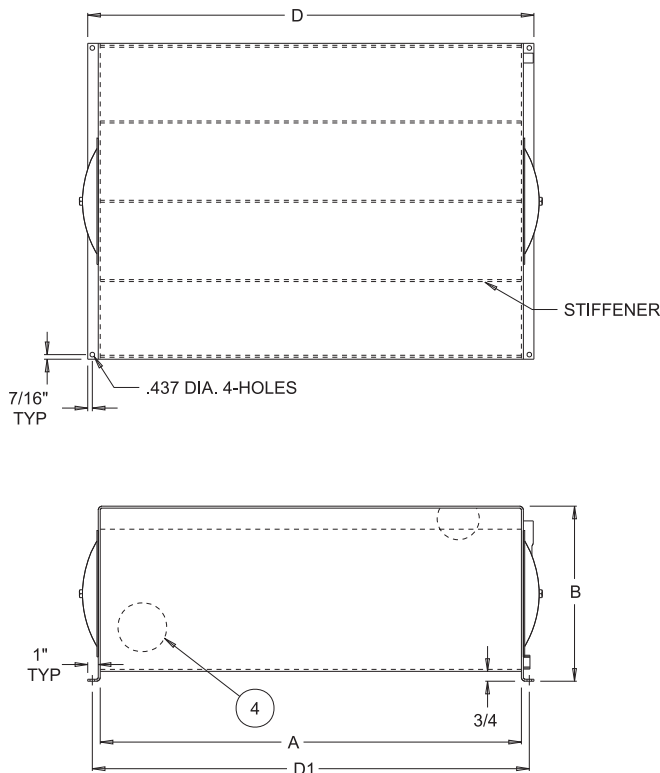
Standard Features:

1. (1) 5 inch GT623 Series sight gage
2. Filler breather (no hole provided)
 - Bayonet style 40 micron
3. (2) 12 inch access covers
4. Baffle with cutouts for circulation
5. 3/4 inch NPT drain with plug
6. Welded top
7. Exterior of reservoir prime painted
8. Interior coated with rust preventative oil
9. Materials
 - Carbon steel construction
 - Buna N seals
 - Transparent molded nylon sight gage with black powder coated steel guard
 - Zinc plated fill cap with nylon strainer basket

CAUTION:

▪ Reservoirs are not designed for internal positive or negative pressure applications. For these applications, consult the factory.

- NOTE**
- Drain plugs need to be sealed and tightened before use
 - Sight gage and filler breather shipped loose inside reservoir
 - Industry accepted design practice for hydraulic systems limits maximum operating temperature to 180° F (82° C), but materials used for fabrication of the reservoirs are capable of operating between -40° and 212° F (-40° and 100° C)



NOTE: All dimensions are inches [mm]

Tank Dimensions (inches)								
Capacity (gal)	Part No.	A	B	C	D	Mounting Centers		Piece Weight (lbs)
						D1 ± .12	D2 ± .12	
60	V5162	40.00	16.62	30.00	42.38	41.50	29.12	236
80	V5163	48.00	16.62	30.00	50.38	49.50	29.12	273
100	V5164	52.00	16.62	36.00	54.38	53.50	35.12	290
100	V5165	48.00	19.00	30.00	50.38	49.50	29.12	290

Dimensions and specifications are subject to change without notice. Not all items are Made-To-Stock, contact us for availability.

04/15

Ph : 920-682-6877
Fx : 920-684-7210



sales@ldi-industries.com
www.ldi-industries.com

HORIZONTAL RESERVOIRS

T100 SERIES

The non-JIC type horizontal steel reservoirs come fully assembled with sight gage, filler breather and bolt on top. The larger capacity reservoirs in this series utilize a baffle that reduces direct recirculation of fluid returning to the reservoir. The design incorporates a raised, flat bottom profile with mounting feet and drain connections beneath the reservoir body. No cover gasket is used on this design.

Standard Features:

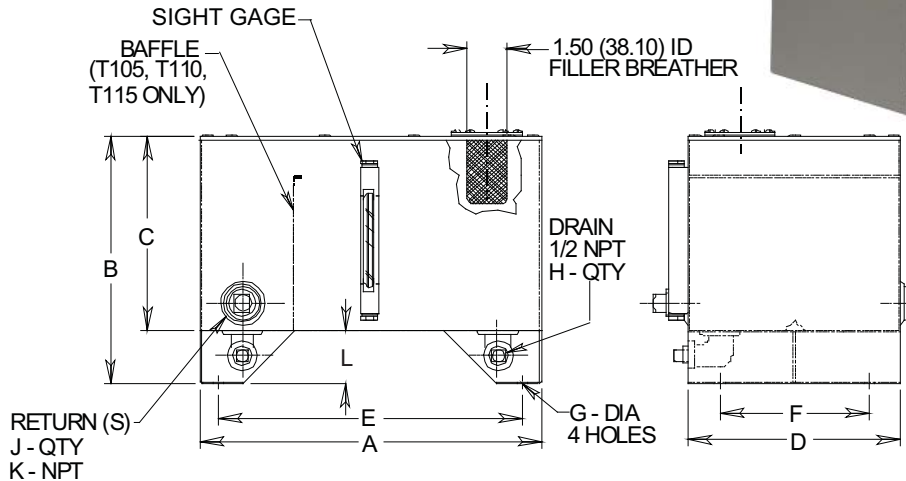
1. Reservoir capacities ranging from 1 to 15 gallons
2. Internal baffle (reservoirs capacities > 2 gallons only)
3. Removable, bolt on top suitable for mounting motors, pumps and other components
4. Reservoir bottom is flat
5. 1/2 NPT drain(s) with plug(s)
6. Exterior painted with a LDI gray primer
7. Interior coated with rust preventative oil
8. G610 Series sight gage
9. No cover gasket is utilized
10. Materials
 - Carbon steel construction
 - Buna N seals
 - Aluminum sight gage
 - Zinc plated fill cap with stainless steel strainer basket

NOTE

- Drain plugs need to be sealed and tightened before use
- Industry accepted design practice for hydraulic systems limits maximum operating temperature to 180° F (82° C), but materials used for fabrication of the reservoirs are capable of operating between -40° and 250° F (-40° and 121° C)

CAUTION:

- Reservoirs are not designed for internal positive or negative pressure applications. For these applications, consult the factory.
- Metal contact between cover and reservoir body seal reservoir from outside contaminants. Excessive splashing of fluid or overfill may lead to fluid leakage past the metal to metal barrier.



NOTE: All dimensions are inches (mm)

Tank Dimensions in inches (mm)													
Capacity		Part No.	A	B	C	D	E	F	G	H Qty	J Qty	K NPT	L
Gallons	Liters												
1	3.8	T101	6.00 (152.40)	10.00 (254.00)	7.75 (196.85)	7.50 (190.50)	4.75 (120.65)	6.25 (158.75)	.34 (8.64)	1	0	0	2.25 (57.15)
2	7.6	T102	10.00 (254.00)	10.00 (254.00)	7.75 (196.85)	7.50 (190.50)	8.75 (222.25)	6.25 (158.75)	.34 (8.64)	1	1	1/2	2.25 (57.15)
5	18.9	T105	16.00 (406.40)	11.69 (296.93)	9.19 (233.43)	10.00 (254.00)	14.25 (361.95)	7.00 (177.80)	.53 (13.46)	2	2	1	2.50 (63.50)
10	37.9	T110	20.00 (508.00)	15.19 (385.83)	12.19 (309.63)	12.00 (304.80)	18.25 (463.55)	9.00 (228.60)	.53 (13.46)	2	2	1	3.00 (76.20)
15	56.8	T115	24.00 (609.60)	15.19 (385.83)	12.19 (309.63)	15.00 (381.00)	21.75 (552.45)	12.75 (323.85)	.53 (13.46)	2	2	1	3.00 (76.20)

Dimensions and specifications are subject to change without notice. Not all items are Made-To-Stock, contact us for availability.

01/18

Ph : 920-682-6877
Fx : 920-684-7210



sales@ldi-industries.com
www.ldi-industries.com

HORIZONTAL RESERVOIRS

ALUMINUM SERIES (STEEL COVER)

The aluminum horizontal reservoirs have a bolt on steel top. The design incorporates a low, center sloping bottom profile with tapped mounting bosses directed into the bottom of the reservoir body. Each reservoir is supplied with a steel cover, cover gasket & hardware, sight gage and filler breather.

Standard Features:

1. (1) Steel cover plate
2. (1) Mini breather (3/4 inch NPT)
3. (1) Cover gasket
4. (1) Set cover mounting hardware
- * 5. (1) 3 inch G1620 Series sight gage on capacities of 5 gallons or less; (1) 5 inch GT623 Series sight gage on 8 gallon capacity
6. Drain plug

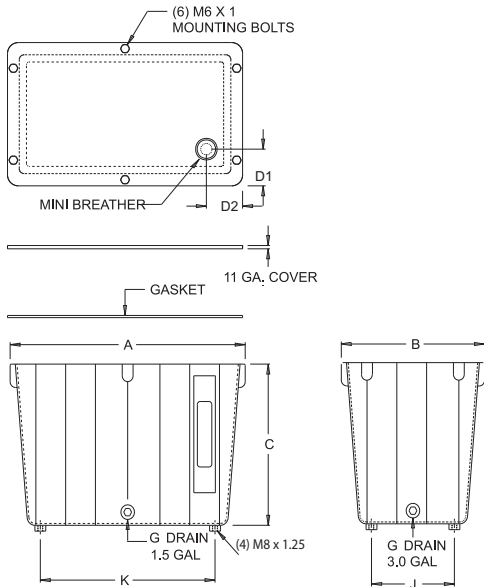
7. Materials

- Aluminum reservoir body
- Carbon steel cover
- Buna N seals
- Gray polymer breather
- G1620 Series - aluminum construction sight gage
- GT623 Series - transparent molded nylon sight gage with black powder coated steel guard

CAUTION:

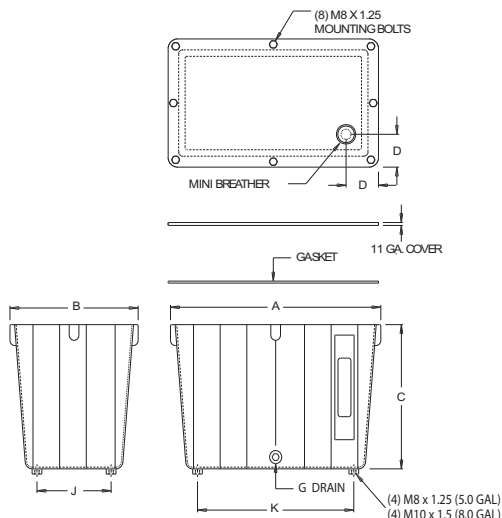
- Reservoirs are not designed for internal positive or negative pressure applications. For these applications, consult the factory.

- NOTE**
- *Sight gage on opposite end on LDI Part No. V63705 reservoir
 - Sight gage and filler breather shipped loose inside reservoir
 - Industry accepted design practice for hydraulic systems limits maximum operating temperature to 180° F (82° C), but materials used for fabrication of the reservoirs are capable of operating between -40° and 212° F (-40° and 100° C)



Tank Dimensions (inches)

Part No.	Capacity		Dimensions							Piece Weight (lbs)	
	Gallons	Liters	A	B	C	D1	D2	G BSPP	J		K
V63705	1.50	6.50	11.02	7.87	6.93	1.38	1.28	.25	5.12	8.27	8.50
V63706	3.00	12.00	13.39	9.72	8.66	1.25	1.25	.38	6.69	9.84	11.25



Tank Dimensions (inches)

Part No.	Capacity		Dimensions							Piece Weight (lbs)
	Gallons	Liters	A	B	C	D	G BSPP	J	K	
V63707	5.00	20.00	14.49	11.42	9.57	1.25	.50	7.56	10.63	17.00
V63708	8.00	30.00	19.29	13.39	11.22	1.75	.50	6.93	12.84	25.00

Dimensions and specifications are subject to change without notice. Not all items are Made-To-Stock, contact us for availability.

10/15

Ph : 920-682-6877
Fx : 920-684-7210



sales@ldi-industries.com
www.ldi-industries.com

VERTICAL RESERVOIRS

VERTICAL SERIES

The Vertical Series Non-JIC reservoirs incorporate a square body with a flat bottom that extends past the reservoir body to serve as the mounting surface of the reservoir. A sight glass and hardware to mount a cover are supplied loose with each reservoir.

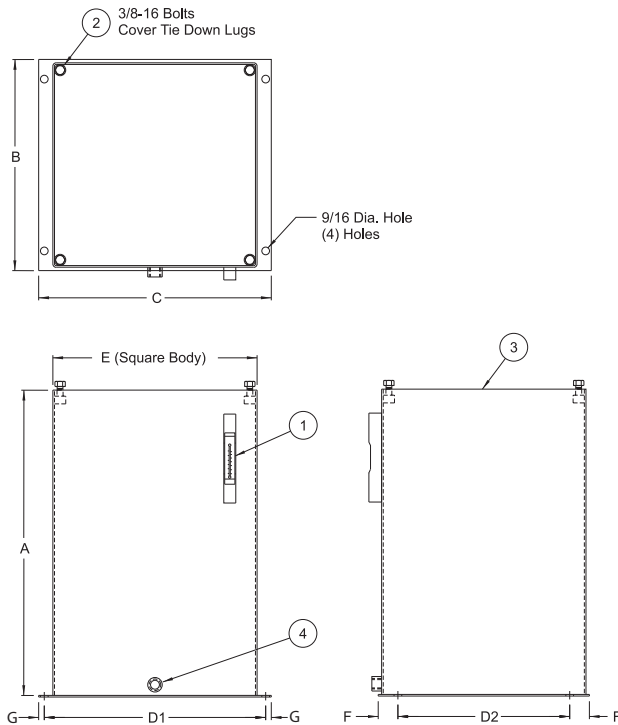
Standard Features:

- (1) 5 inch GT623 Series sight gage - location varies by reservoir selected
- (4) Cover mounting bolts
- Channel gasket for cover plate seal
- (1) 1/2 inch NPT drain with plug
- Steel construction with customer choice of top
- Exterior of reservoir prime painted
- Interior of reservoir coated with rust preventative oil
- Materials
 - Carbon steel construction
 - Buna N seals
 - Transparent molded nylon sight gage with black powder coated steel guard

- NOTE**
- Drain plugs need to be sealed and tightened before use
 - Sight gage shipped loose inside reservoir
 - Industry accepted design practice for hydraulic systems limits maximum operating temperature to 180° F (82° C), but materials used for fabrication of the reservoirs are capable of operating between -40° and 212° F (-40° and 100° C)
 - Cover Plates - Series 1, 2, 2A or 3 ordered as separate items, filler breather included with cover plate (see pages 31-34)

CAUTION:

Reservoirs are not designed for internal positive or negative pressure applications. For these applications, consult the factory.



NOTE: All dimensions are inches

Capacity (gal)	LDI Part No.	Tank Dimensions (inches)			Mounting Centers		E	F	G	Piece Weight (lbs)
		A	B	C	D1 ± .12	D2 ± .12				
5	V215145	10.00	12.88	14.50	13.50	10.00	12.00	1.44	.50	22
10	V215146	19.69	12.88	14.50	13.50	10.00	12.00	1.44	.50	35
10	V215147	11.75	16.88	19.00	17.50	14.00	16.00	1.44	.75	34
10	V215173	15.00	16.88	19.00	17.50	14.00	16.00	1.44	.75	40
20	V215148	23.69	16.88	19.00	17.50	14.00	16.00	1.44	.75	56
20	V215174	18.00	18.38	20.50	19.00	15.00	17.50	1.69	.75	51
30	V215149	35.69	16.88	19.00	17.50	14.00	16.00	1.44	.75	79
30	V215175	26.00	18.38	20.50	19.00	15.00	17.50	1.69	.75	67
40	V215176	34.00	18.38	20.50	19.00	15.00	17.50	1.69	.75	83

Dimensions and specifications are subject to change without notice. Not all items are Made-To-Stock, contact us for availability.

04/16

Ph : 920-682-6877
Fx : 920-684-7210



sales@ldi-industries.com
www.ldi-industries.com

VERTICAL RESERVOIRS

DUAL VERTICAL SERIES

The Dual Vertical Series Non-JIC reservoirs incorporate a rectangular body and a flat bottom that extends past the reservoir body to serve as the mounting surface of the reservoir. An internal baffle divides the reservoir into two chambers but has open areas above and through the baffle for circulation between chambers. Designed to accept an independent cover for each reservoir chamber.

Standard Features:

- (1) 5 inch GT623 Series sight gage
- (8) Cover mounting bolts
- (2) Channel gaskets for cover plate seals
- (1) 3/4 inch NPT drain with plug
- (1) Baffle with cutouts for circulation
- Partial height baffle divides reservoir into two equal size chambers and has cut outs for circulation
- Reservoir covers sold separately (two required)
- Exterior painted with a LDI gray primer
- Interior coated with rust preventative oil

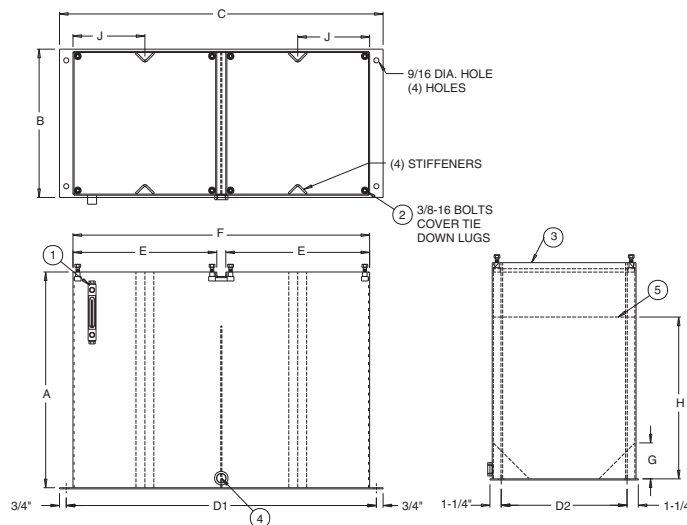
10. Materials

- Carbon steel construction
- Transparent molded nylon sight gage with black powder coated steel guard
- Buna N seals

- NOTE**
- Sight gage and hardware to mount a cover provided loose with reservoir
 - Drain plugs need to be sealed and tightened before use
 - Industry accepted design practice for hydraulic systems limits maximum operating temperature to 180° F (82° C), but materials used for fabrication of the reservoirs are capable of operating between -40° and 212° F (-40° and 100° C)
 - Cover Plates - Series 2 or 3 ordered as separate items, filler breather included with cover plate (see pages 31-34)

CAUTION:

- Reservoirs are not designed for internal positive or negative pressure applications. For these applications, consult the factory.



NOTE: All dimensions are inches [mm]

Series 2 Dimensions (inches)

Capacity (gal)	Part No.	Mounting Centers			Mounting Centers							Piece Weight (lbs)
		A	B	C	D1 ± .12	D2 ± .12	E	F	G	H	J	
40	V215188	24.00	16.50	36.00	34.50	14.00	16.00	33.00	4.00	18.00	8.00	128
60	V215189	36.00	16.50	36.00	34.50	14.00	16.00	33.00	4.00	24.00	8.00	179

All Series 2 Vertical Reservoirs use standard LDI Series 2 cover plates. See page 25 for cover plate availability.

Series 3 Dimensions (inches)

Capacity (gal)	LDI Part No.	Mounting Centers			Mounting Centers							Piece Weight (lbs)
		A	B	C	D1 ± .12	D2 ± .12	E	F	G	H	J	
50	V215195	22.50	18.00	39.00	37.50	15.50	17.50	36.00	5.00	19.00	8.75	135
60	V215196	26.50	18.00	39.00	37.50	15.50	17.50	36.00	5.00	22.50	8.75	154

All Series 3 Vertical Reservoirs use standard LDI Series 3 cover plates. See page 25 for cover plate availability.

Dimensions and specifications are subject to change without notice. Not all items are Made-To-Stock, contact us for availability.

05/14

Ph : 920-682-6877
Fx : 920-684-7210



sales@ldi-industries.com
www.ldi-industries.com

VERTICAL RESERVOIRS

VARI-PAK SERIES - SMALL

2, 3, & 5 GALLONS

A Vari-Pak Series reservoir is a variation of the the vertical series reservoirs. This series reservoir has a flat bottom that extends past the reservoir body to serve as the mounting surface of the reservoir. Custom, bolt-on cover configurations are available for mounting the most common system components such as filler breathers and motor adapters.

Standard Features:

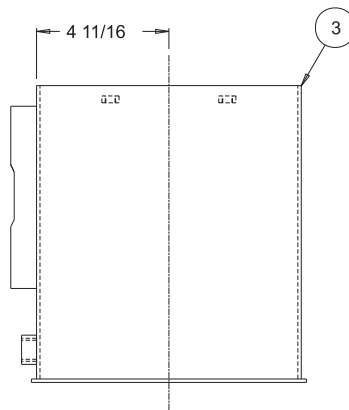
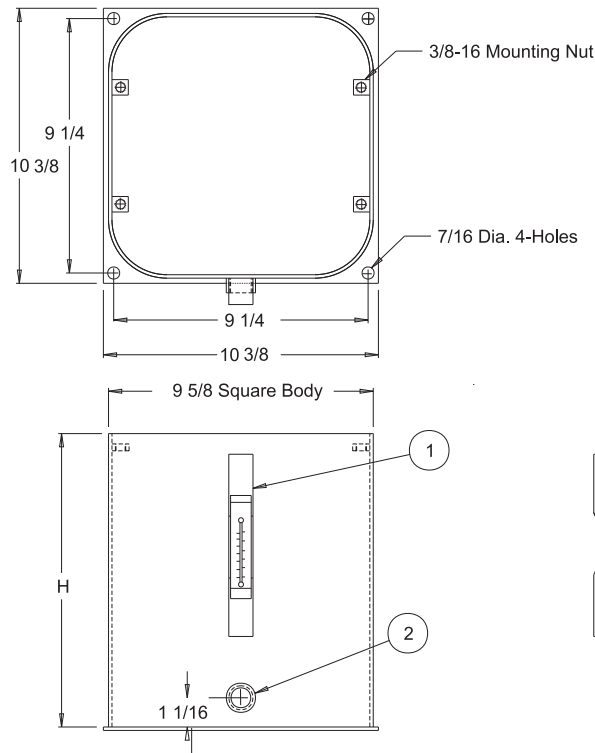
1. (1) 5 inch GT623 Series sight gage
2. (1) 1/2 inch NPT drain with plug
3. Channel gasket installed for cover plate seal
4. Exterior painted with a LDI gray primer
5. Interior coated with rust preventative oil
6. Materials
 - Carbon steel construction
 - Transparent molded nylon sight gage with black powder coated steel guard
 - Buna N seals

CAUTION:

▪ Reservoirs are not designed for internal positive or negative pressure applications. For these applications, consult the factory.

NOTE

- Sight gage and hardware to mount a cover provided loose with reservoir
- Drain plugs need to be sealed and tightened before use
- Industry accepted design practice for hydraulic systems limits maximum operating temperature to 180° F (82° C), but materials used for fabrication of the reservoirs are capable of operating between -40° and 212° F (-40° and 100° C)
- Cover Plates - Series 4 ordered as separate items (see page 35)



NOTE: All dimensions are inches

Tank Dimensions (inches)			
Capacity (gal)	Part No.	H	Piece Weight (lbs)
2	V29902	8	14
3	V29903	12	19
5	V29905	16	23

•Weight does not include covers

Dimensions and specifications are subject to change without notice. Not all items are Made-To-Stock, contact us for availability.

04/15

Ph : 920-682-6877
Fx : 920-684-7210



sales@ldi-industries.com
www.ldi-industries.com

VERTICAL RESERVOIRS

VARI-PAK SERIES - LARGE

8,10, & 14 GALLONS

A Vari-Pak Series reservoir is a variation of the the vertical series reservoirs. This series reservoir has a flat bottom that extends past the reservoir body to serve as the mounting surface of the reservoir. Custom, bolt-on cover configurations are available for mounting the most common system components such as filler breathers and motor adapters.

Standard Features:

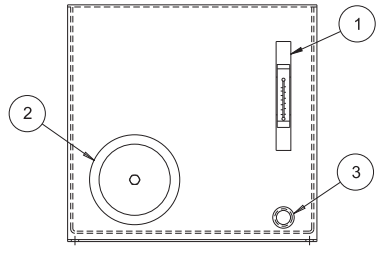
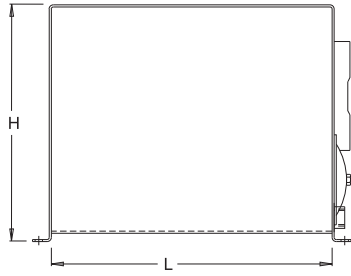
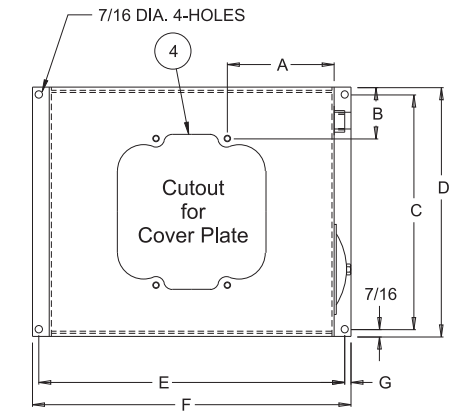
1. (1) 5 inch GT623 Series sight gage
2. 6 inch access cover
3. (1) 3/4 inch NPT drain with plug
4. Gasket for cover plate seal
5. Exterior painted with a LDI gray primer
6. Interior coated with rust preventative oil
7. Materials
 - Carbon steel construction
 - Transparent molded nylon sight gage with black powder coated steel guard
 - Buna N sight gage seals and access cover gasket
 - Neoprene flat cover plate gasket

CAUTION:

- Reservoirs are not designed for internal positive or negative pressure applications. For these applications, consult the factory.

NOTE

- Sight gage and hardware to mount a cover provided loose with reservoir
- Drain plugs need to be sealed and tightened before use
- Industry accepted design practice for hydraulic systems limits maximum operating temperature to 180° F (82° C), but materials used for fabrication of the reservoirs are capable of operating between -40° and 212° F (-40° and 100° C)
- Cover Plates - Series 4 ordered as separate items (see page 35)



NOTE: All dimensions are inches

Tank Dimensions (inches)											
Capacity (gal)	Part No.	A	B	C	D	E	F	G	H	L	Piece Weight (lbs)
8	V29908	5.00	1.62	11.12	12.00	13.38	14.25	.44	18.12	12.00	39
10	V29910	6.38	3.06	14.00	14.88	18.12	19.00	.44	14.12	16.75	47
14	V29914	7.00	1.62	11.12	12.00	19.38	20.25	.44	20.12	18.00	55

Dimensions and specifications are subject to change without notice. Not all items are Made-To-Stock, contact us for availability.

04/15

Ph : 920-682-6877
Fx : 920-684-7210



sales@ldi-industries.com
www.ldi-industries.com

VERTICAL RESERVOIRS

VARI-PAK SERIES - LARGE (CONT'D)

20 & 25 GALLON

A Vari-Pak Series reservoir is a variation of the the vertical series reservoirs. This series reservoir has a flat bottom that extends past the reservoir body to serve as the mounting surface of the reservoir. Custom, bolt-on cover configurations are available for mounting the most common system components such as filler breathers and motor adapters.

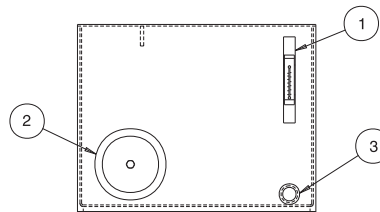
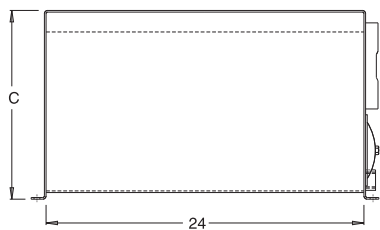
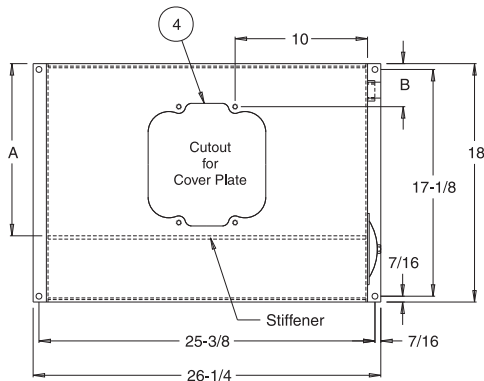
Standard Features:

1. (1) 5 inch GT623 Series sight gage
2. 6 inch access cover
3. (1) 3/4 inch NPT drain with plug
4. Gasket for cover plate seal
5. Exterior painted with a LDI gray primer
6. Interior coated with rust preventative oil
7. Materials
 - Carbon steel construction
 - Transparent molded nylon sight gage with black powder coated steel guard
 - Buna N sight gage seals and access cover gasket
 - Neoprene flat cover plate gasket

CAUTION:

- Reservoirs are not designed for internal positive or negative pressure applications. For these applications, consult the factory.

- NOTE**
- Sight gage and hardware to mount a cover provided loose with reservoir
 - Drain plugs need to be sealed and tightened before use
 - Industry accepted design practice for hydraulic systems limits maximum operating temperature to 180° F (82° C), but materials used for fabrication of the reservoirs are capable of operating between -40° and 212° F (-40° and 100° C)
 - Cover Plates - Series 4 ordered as separate items (see page 35)



NOTE: All dimensions are inches

Tank Dimensions (inches)					
Capacity gal	Part No.	A	B	C	Piece Weight (lbs)
20	V29920	13.00	3.25	14.25	80
25	V29925	12.25	3.00	18.12	94

Dimensions and specifications are subject to change without notice. Not all items are Made-To-Stock, contact us for availability.

03/15

Ph : 920-682-6877
Fx : 920-684-7210



sales@ldi-industries.com
www.ldi-industries.com

VERTICAL RESERVOIRS

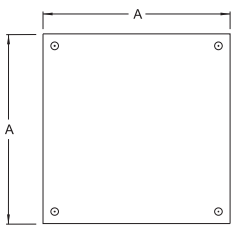
COVER PLATES - SERIES 1

LDI's standard offering of cover plates for vertical series reservoirs range from just a blank cover with mounting holes for fastening to reservoir to additional cut out detail for mounting a pump motor adapter, filler/breather and more.

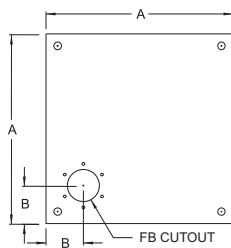
Standard Features:

1. 7 Ga (.1793 inch) thick
2. Mate with reservoirs V215145 and V215146
3. All covers come with (4) .50 inch diameter clearance holes for mounting to reservoir
4. 5201 filler breather included
5. Top and sides prime painted LDI gray
6. Filler breather cut
7. Four different configurations are available.
 - Blank cover
 - Cover with filler breather cut out
 - Cover with filler breather and 56C/145TC adapter cut outs
 - Cover with filler breather and 182TC/256TC adapter cut outs
8. Materials:
 - Carbon steel
 - Filler breather 5201: Zinc plated fill cap with nylon strainer basket

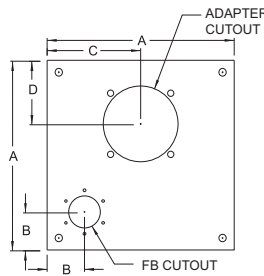
NOTE ▪ Filler breather provided loose with cover



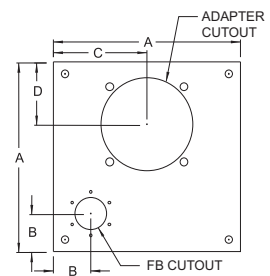
Blank Cover
Part Number 99920



Cover with Filler Breather Cutout
Part Number 99923



Cover with Filler Breather Cutout and 56C/145TC Adapter Cutout (Adapter Style 1, 1A, 1B)
Part Number 99926



Cover with Filler Breather Cutout and 182TC/256TC Adapter Cutout (Adapter Style 7)
Part Number 99929

Standard Dimensions for Vertical Tops (inches)

A (SQ)	B	C	D
12.50	2.50	6.25	5.00

Cover Plate Part No.	Description	Series
99920	Blank Cover	1
99923	Cover with Filler Breather Cutout	1
99926	Cover with 56C/145TC Adapter Cutout	1
99929	Cover with 182C/256TC Adapter Cutout	1

Dimensions and specifications are subject to change without notice. Not all items are Made-To-Stock, contact us for availability.

02/14

Ph : 920-682-6877
Fx : 920-684-7210



sales@ldi-industries.com
www.ldi-industries.com

VERTICAL RESERVOIRS

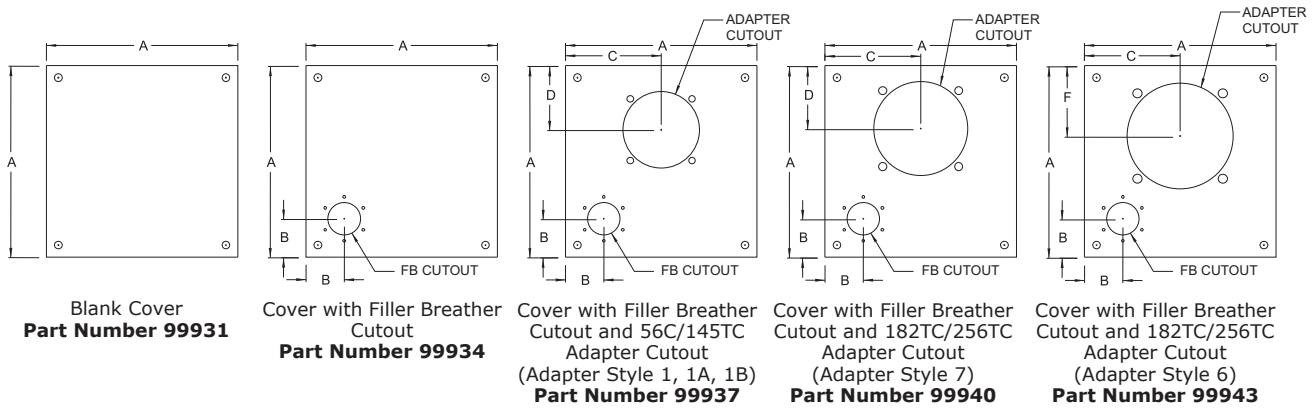
COVER PLATES - SERIES 2

LDI's standard offering of cover plates for vertical series reservoirs range from just a blank cover with mounting holes for fastening to reservoir to additional cut out detail for mounting a pump motor adapter, filler/breather and more.

Standard Features:

1. Series 2 covers differ from Series 2A covers only by the location of cut out for filler breather
2. .25 inch thick
3. Mate with reservoirs V215147, V215148, V215149, V215188 and V215189
4. All covers come with (4) .50 inch diameter clearance holes for mounting to reservoir
5. Filler breather included
6. Top and sides prime painted LDI gray
7. Five different configurations are available.
 - Blank cover
 - Cover with filler breather cut out
 - Cover with filler breather and 56C/145TC adapter cut outs (Adapter Style 1, 1A and 1B)
 - Cover with filler breather and 182TC/256TC adapter cut outs (Adapter Style 7)
 - Cover with filler breather and 182TC/256TC adapter cut outs (Adapter Style 6)
8. Materials
 - Carbon steel
 - Filler breather 5201: Zinc plated fill cap with nylon strainer basket

NOTE ▪ Filler breather provided loose with cover



Standard Dimensions for Vertical Tops (inches)				
A (SQ)	B	C	D	F
16.50	2.50	8.25	5.50	6.25

Cover Plate Part No.	Description	Series
99931	Blank Cover	2
99934	Cover with Filler Breather Cutout	2
99937	Cover with 56C/145TC Adapter Cutout	2
99940	Cover with ¹⁸² C/ ₂₅₆ TC Adapter Cutout	2
99943	Cover with ¹⁸² C/ ₂₅₆ TC Vert. Adapter Cutout	2

Dimensions and specifications are subject to change without notice. Not all items are Made-To-Stock, contact us for availability.

02/14

Ph : 920-682-6877
Fx : 920-684-7210



sales@ldi-industries.com
www.ldi-industries.com

VERTICAL RESERVOIRS

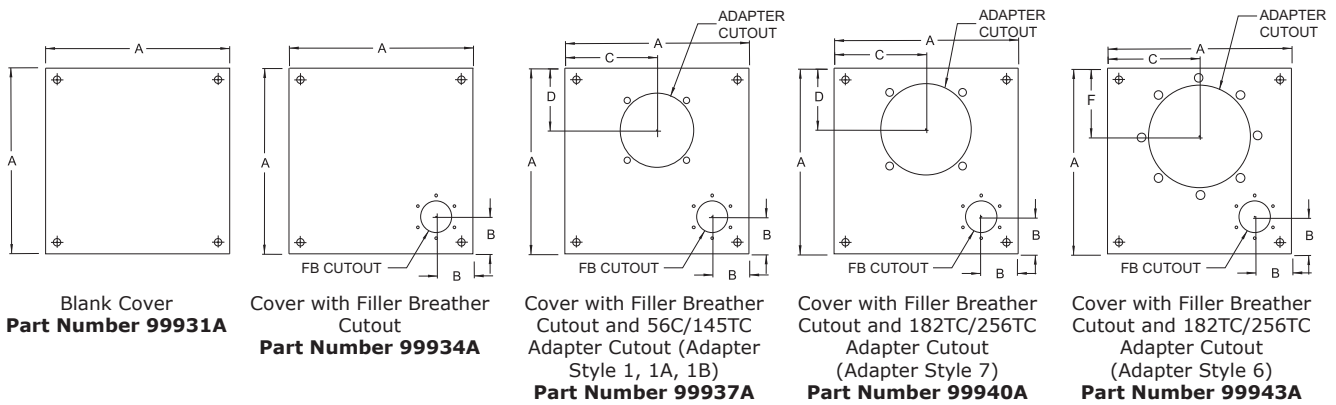
COVER PLATES - SERIES 2A

LDI's standard offering of cover plates for vertical series reservoirs range from just a blank cover with mounting holes for fastening to reservoir to additional cut out detail for mounting a pump motor adapter, filler/breather and more.

Standard Features:

1. Series 2A covers differ from Series 2 covers only by the location of cut out for filler breather
2. .25 inch thick
3. Mate with reservoir V215173
4. All covers come with (4) .50 inch diameter clearance holes for mounting to reservoir
5. 5201 filler breather included
6. Top and sides prime painted LDI gray
7. Five different configurations are available.
 - Blank cover
 - Cover with filler breather cut out
 - Cover with filler breather and 56C/145TC adapter cut outs (Adapter Style 1, 1A and 1B)
 - Cover with filler breather and 182TC/256TC adapter cut outs (Adapter Style 7)
 - Cover with filler breather and 182TC/256TC adapter cut outs (Adapter Style 6)
8. Materials
 - Carbon steel
 - Filler breather 5201: Zinc plated fill cap with nylon strainer basket

NOTE ▪ Filler breather provided loose with cover



Standard Dimensions for Vertical Tops (inches)				
A (SQ)	B	C	D	F
16.50	2.50	8.25	5.50	6.25

Cover Plate Part No.	Description	Series
99931A	Blank Cover	2A
99934A	Cover with Filler Breather Cutout	2A
99937A	Cover with 56C/145TC Adapter Cutout	2A
99940A	Cover with 182C/256TC Adapter Cutout	2A
99943A	Cover with 182C/256TC Adapter Cutout	2A

Dimensions and specifications are subject to change without notice. Not all items are Made-To-Stock, contact us for availability.

02/14

Ph : 920-682-6877
Fx : 920-684-7210



sales@ldi-industries.com
www.ldi-industries.com

VERTICAL RESERVOIRS

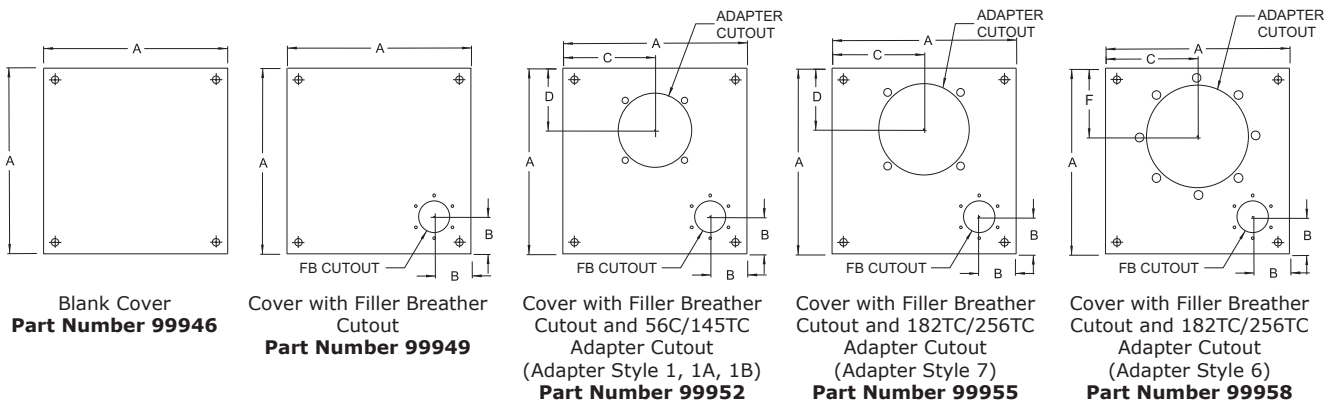
COVER PLATES - SERIES 3

LDI's standard offering of cover plates for vertical series reservoirs range from just a blank cover with mounting holes for fastening to reservoir to additional cut out detail for mounting a pump motor adapter, filler/breather and more.

Standard Features:

1. Mate with reservoirs V215174, V215175, V215176, V215195 and V215196
2. .25 inch thick
3. All covers come with (4) .50 inch diameter clearance holes for mounting to reservoir
4. 5201 filler breather included
5. Top and sides prime painted LDI gray
6. Five different configurations are available.
 - Blank cover
 - Cover with filler breather cut out
 - Cover with filler breather and 56C/145TC adapter cut outs (Adapter Style 1, 1A and 1B)
 - Cover with filler breather and 182TC/256TC adapter cut outs (Adapter Style 7)
 - Cover with filler breather and 182TC/256TC adapter cut outs (Adapter Style 6)
7. Materials
 - Carbon steel
 - Filler breather 5201: Zinc plated fill cap with nylon strainer basket

NOTE ▪ Filler breather provided loose with cover



Standard Dimensions for Vertical Tops (inches)				
A (SQ)	B	C	D	F
18.00	2.50	9.00	5.50	6.25

Cover Plate Part No.	Description	Series
99946	Blank Cover	3
99949	Cover with Filler Breather Cutout	3
99952	Cover with 56C/145TC Adapter Cutout	3
99955	Cover with 182C/256TC Adapter Cutout	3
99958	Cover with 182C/256TC Vert. Adapter Cutout	3

Dimensions and specifications are subject to change without notice. Not all items are Made-To-Stock, contact us for availability.

02/14

Ph : 920-682-6877
Fx : 920-684-7210



sales@ldi-industries.com
www.ldi-industries.com

VERTICAL RESERVOIRS

COVER PLATES - SERIES 4 (VARI-PAK)

Standard Features:

- Mate with Vari-Pak Series reservoirs V29902, V29903, V29905, V29908, V29910, V29914, V29920 and V29925
- 7 Ga (.1793 inch) thick
- All covers come with (4) .50 inch diameter clearance holes for mounting to reservoir
- PMB-07-10 mini breather included
- Top and sides prime painted LDI gray
- Five different configurations are available.
 - Blank cover
 - Cover with 3/4 inch NPT port for breather
 - Cover with 3/4 inch NPT port for breather and 56C/145TC adapter cut out
 - Cover with 3/4 inch NPT port for breather and 56C/145TC adapter cut out and 1/2 NPT full coupling
 - Cover with 3/4 inch NPT port for breather and 182TC/256TC adapter cut out

- Materials
 - Carbon steel
 - Breather PMB-07-10: Gray polymer

NOTE • Filler breather provided loose with cover



Part Number 99908



Part Number 99909



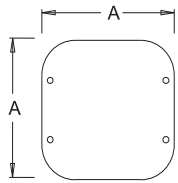
Part Number 99910



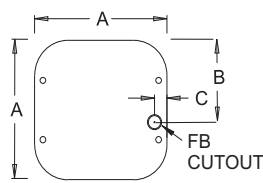
Part Number 99911



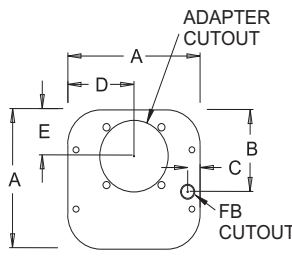
Part Number 99907



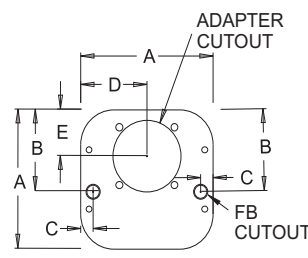
Style A Cover Plate
Blank Cover
Part Number 99908



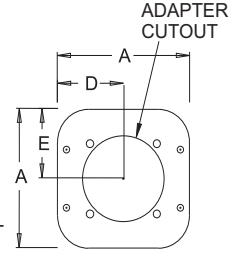
Style B Cover Plate
with Breather Cutout
Part Number 99909



Style C Cover Plate
with Breather Cutout
and 56C/145TC Adapter
Cutout (Adapter Style 1,
1A, 1B)
Part Number 99910



Style D Cover Plate
with Breather Cutout and
56C/145TC Adapter Cutout
1/2" NPT Connection
(Adapter Style 1, 1A, 1B)
Part Number 99911



Style E Cover Plate
182/256TC Adapter Cut-
out (Adapter Style 7)
Part Number 99907

Cover Plate Dimensions (inches)

Cover Plate Part No.	A (SQ)	B	C	D	E
99908					
99909	10.12	5.94	1.19	5.06	3.65
99910					
99911					
99907	10.12	N/A	N/A	5.06	5.06

All covers include (1) PMB-07-10 Mini Breather

Dimensions and specifications are subject to change without notice. Not all items are Made-To-Stock, contact us for availability.

12/15

Ph : 920-682-6877
Fx : 920-684-7210



sales@ldi-industries.com
www.ldi-industries.com

DIN TYPE RESERVOIRS

STYLE 1

The Style 1 Series DIN type steel reservoir is constructed with a recessed welded top and front clean-out access. The reservoir has an elevated reservoir floor sloped toward the front clean-out access with drain exiting from the bottom of the reservoir. Each reservoir is supplied with a sight gage, filler breather and access cover.

Standard Features:

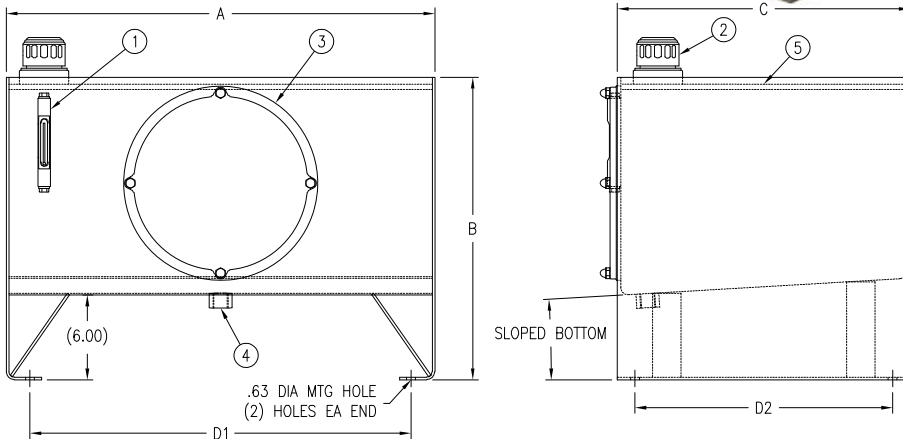
- (1) 5 inch G1620 Series sight gage on capacities of less than 100 gallons; (1) 10 inch G1615 Series sight gage on 100 gallon capacities and above
- Riser with filler breather
 - Bayonet Style — 40 micron
- DIN type access cover, gasket and mounting hardware
- SAE O-ring drain with plug
- Recessed top (drip tray)
- Exterior of reservoir prime painted
- Interior of reservoir coated with rust preventative oil

NOTE

- Drain plugs need to be sealed and tightened before use
- Sight Gage and Filler Breather shipped loose inside reservoir
- Industry accepted design practice for hydraulic systems limits maximum operating temperature to 180° F (82° C), but materials used for fabrication of the reservoirs are capable of operating between -40° and 250° F (-40° and 121° C)

CAUTION:

• Reservoirs are not designed for internal positive or negative pressure applications. For these applications, consult the factory.



NOTE: All dimensions are inches

Tank Dimensions (inches)

Capacity		Part No.	Sight Gage (Mtg. Ctrs.)	A Length	B Height	C Width	Mounting Centers		Access Cover	Piece Weight (lbs)
Gallons	Liters						D1	D2		
499XXX SERIES ARE HEAVY DUTY RESERVOIRS										
20	76	V49920	5	24.38	21.00	18.00	21.75	15.50	324	128
30	114	V49930	5	30.38	21.44	20.75	27.00	18.25	324	170
40	151	V49940	5	36.38	22.75	20.75	33.00	18.25	324	231
60	227	V49960	5	42.38	24.25	24.00	39.00	21.50	324	301
80	303	V49980	5	42.38	25.38	30.00	39.00	27.50	324	371
100	379	V499100	10	42.38	29.25	30.00	39.00	27.50	449	400
120	454	V499120	10	48.50	30.25	30.00	45.00	27.50	449	554
150	568	V499150	10	60.50	30.25	30.00	57.00	27.50	449	665
200	757	V499200	10	72.75	29.81	36.00	69.00	33.50	449	973
300	1136	V499300	10	72.75	38.69	36.00	69.00	33.50	449	1142
400	1514	V499400	10	84.75	43.19	36.00	80.75	33.50	449	1495
500	1892	V499500	10	84.75	44.75	42.00	80.75	39.50	449	1701

Dimensions and specifications are subject to change without notice. Not all items are Made-To-Stock, contact us for availability.

05/14

Ph : 920-682-6877
Fx : 920-684-7210



sales@ldi-industries.com
www.ldi-industries.com

DIN TYPE RESERVOIRS

STYLE 2

The Style 2 Series DIN type steel reservoir is constructed with a recessed welded top and clean-out access on each end. The reservoir has an elevated bottom sloped toward front with bottom exit drain port. Each reservoir is supplied with a sight gage, filler breather and access covers.

Standard Features:

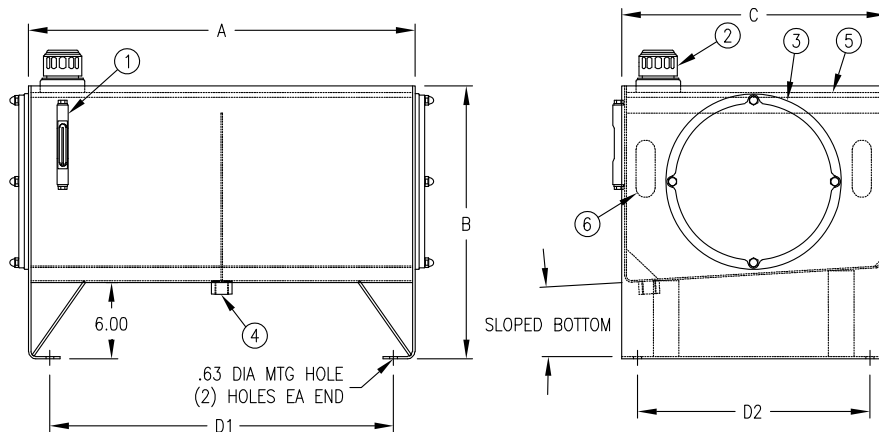
1. (1) 5 inch G1620 Series sight gage on capacities of less than 100 gallons; (1) 10 inch G1615 Series sight gage on 100 gallon capacities and above
2. Riser with filler breather
 - Bayonet Style — 40 micron
3. DIN type access cover, gasket and mounting hardware
4. SAE O-ring drain with plug
5. Recessed top (drip tray)
6. Baffle with cutouts for circulation
7. Exterior of reservoir prime painted
8. Interior of reservoir coated with rust preventative oil

NOTE

- Drain plugs need to be sealed and tightened before use
- Sight Gage and Filler Breather shipped loose inside reservoir
- Industry accepted design practice for hydraulic systems limits maximum operating temperature to 180° F (82° C), but materials used for fabrication of the reservoirs are capable of operating between -40° and 250° F (-40° and 121° C)

CAUTION:

• Reservoirs are not designed for internal positive or negative pressure applications. For these applications, consult the factory.



NOTE: All dimensions are inches

Tank Dimensions (inches)											
Capacity		Part No.	Sight Gage (Mtg. Ctrs.)	A Length	B Height	C Width	Mounting Centers		Access Cover	Piece Weight (lbs)	
Gallons	Liters						D1	D2			
599XXX SERIES ARE HEAVY DUTY RESERVOIRS											
20	76	V59920	5	24.38	21.00	18.00	21.75	15.50	324	141	
30	114	V59930	5	30.38	21.44	20.75	27.00	18.25	324	185	
40	151	V59940	5	36.38	22.75	20.75	33.00	18.25	324	248	
60	227	V59960	5	42.38	24.25	24.00	39.00	21.50	324	321	
80	303	V59980	5	42.38	25.38	30.00	39.00	27.50	324	398	
100	379	V599100	10	42.38	29.25	30.00	39.00	27.50	449	430	
120	454	V599120	10	48.50	30.25	30.00	45.00	27.50	449	584	
150	568	V599150	10	60.50	30.25	30.00	57.00	27.50	449	695	
200	757	V599200	10	72.75	29.81	36.00	69.00	33.50	449	1029	
300	1136	V599300	10	72.75	38.69	36.00	69.00	33.50	449	1213	
400	1514	V599400	10	84.75	43.19	36.00	80.75	33.50	449	1575	
500	1892	V599500	10	84.75	44.75	42.00	80.75	39.50	449	1798	

Dimensions and specifications are subject to change without notice. Not all items are Made-To-Stock, contact us for availability.

05/14

Ph : 920-682-6877
Fx : 920-684-7210



sales@ldi-industries.com
www.ldi-industries.com

DIN TYPE RESERVOIRS

STYLE 3

The Style 3 Series DIN type steel reservoir is constructed with a recessed welded top and front clean-out access. The reservoir has a low profile with mounting feet outward from tank. The reservoir bottom is sloped toward the front clean-out access with drain port exiting from the front of the reservoir. Each reservoir is supplied with a sight gage, filler breather and access cover.

Standard Features:

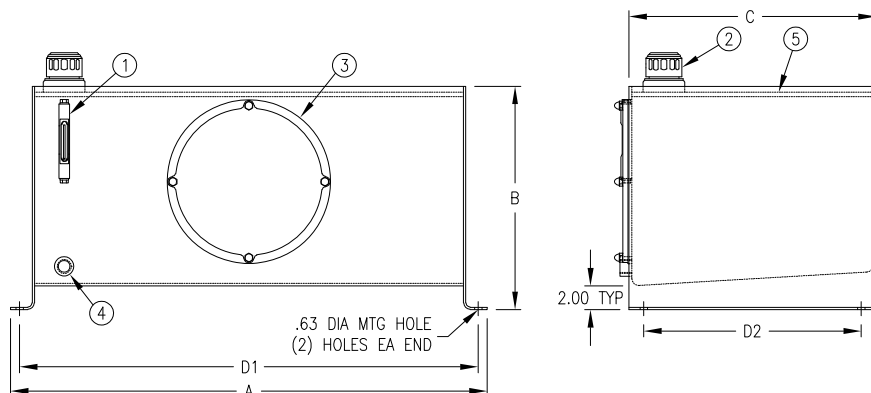
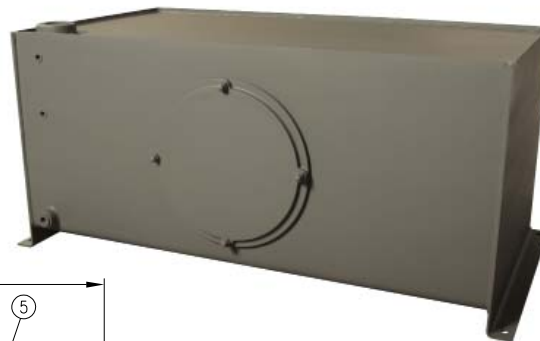
- (1) 5 inch G1620 Series sight gage on capacities of less than 100 gallons; (1) 10 inch G1615 Series sight gage on 100 gallon capacities and above
- Riser with filler breather
 - Bayonet Style — 40 micron
- DIN type access cover, gasket and mounting hardware
- SAE O-ring drain with plug
- Recessed top (drip tray)
- Exterior of reservoir prime painted
- Interior of reservoir coated with rust preventative oil

NOTE

- Drain plugs need to be sealed and tightened before use
- Sight Gage and Filler Breather shipped loose inside reservoir
- Industry accepted design practice for hydraulic systems limits maximum operating temperature to 180° F (82° C), but materials used for fabrication of the reservoirs are capable of operating between -40° and 250° F (-40° and 121° C)

CAUTION:

• Reservoirs are not designed for internal positive or negative pressure applications. For these applications, consult the factory.



NOTE: All dimensions are inches

Tank Dimensions (inches)											
Capacity		Part No.	Sight Gage (Mtg. Ctrs.)	A Length	B Height	C Width	Mounting Centers		Access Cover	Piece Weight (lbs)	
Gallons	Liters						D1	D2			
699XXX SERIES ARE HEAVY DUTY RESERVOIRS											
20	76	V69920	5	28.00	17.00	18.00	26.50	15.50	324	118	
30	114	V69930	5	34.00	17.44	20.75	32.50	18.25	324	158	
40	151	V69940	5	40.00	18.75	20.75	38.50	18.25	324	190	
60	227	V69960	5	46.00	20.25	24.00	44.50	21.50	324	219	
80	303	V69980	5	46.00	21.38	30.00	44.50	27.50	324	287	
100	379	V699100	10	46.00	25.25	30.00	44.50	27.50	449	348	
120	454	V699120	10	52.00	26.25	30.00	50.50	27.50	449	530	
150	568	V699150	10	64.00	26.25	30.00	62.50	27.50	449	633	
200	757	V699200	10	77.00	25.81	36.00	75.50	33.50	449	930	

Dimensions and specifications are subject to change without notice. Not all items are Made-To-Stock, contact us for availability.

05/14

Ph : 920-682-6877
Fx : 920-684-7210



sales@ldi-industries.com
www.ldi-industries.com

DIN TYPE RESERVOIRS

STYLE 4

The Style 4 Series DIN type steel reservoir is constructed with a recessed welded top and clean-out access on each end. A baffle positioned front to back with circulation passages divides the reservoir into two chambers. The reservoir has a low profile bottom sloped toward front wall with a drain port exiting out the front. Mounting feet are located outward from the ends. Each reservoir is supplied with a sight gage, filler breather and access covers.

Standard Features:

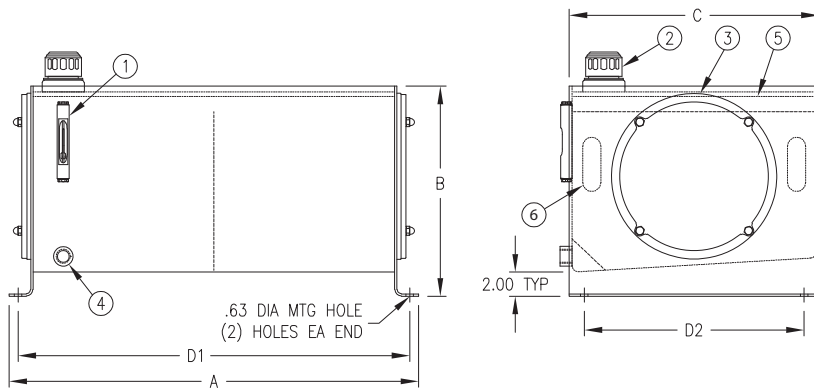
- (1) 5 inch G1620 Series sight gage on capacities of less than 100 gallons; (1) 10 inch G1615 Series sight gage on 100 gallon capacities and above
- Riser with filler breather
 - Bayonet Style — 40 micron
- DIN type access covers gasket and mounting hardware
- SAE O-ring drain with plug
- Recessed top (drip tray)
- Baffle with cutouts for circulation
- Exterior of reservoir prime painted
- Interior of reservoir coated with rust preventative oil

NOTE

- Drain plugs need to be sealed and tightened before use
- Sight Gage and Filler Breather shipped loose inside reservoir
- Industry accepted design practice for hydraulic systems limits maximum operating temperature to 180° F (82° C), but materials used for fabrication of the reservoirs are capable of operating between -40° and 250° F (-40° and 121° C)

CAUTION:

• Reservoirs are not designed for internal positive or negative pressure applications. For these applications, consult the factory.



NOTE: All dimensions are inches

Tank Dimensions (inches)										
Capacity		Part No.	Sight Gage (Mtg. Ctrs.)	A Length	B Height	C Width	Mounting Centers		Access Cover	Piece Weight (lbs)
Gallons	Liters						D1	D2		
799XXX SERIES ARE HEAVY DUTY RESERVOIRS										
20	76	V79920	5	28.00	17.00	18.00	26.50	15.50	324	125
30	114	V79930	5	34.00	17.44	20.75	32.50	18.25	324	166
40	151	V79940	5	40.00	18.75	20.75	38.50	18.25	324	207
60	227	V79960	5	46.00	20.25	24.00	44.50	21.50	324	240
80	303	V79980	5	46.00	21.38	30.00	44.50	27.50	324	314
100	379	V799100	10	46.00	25.25	30.00	44.50	27.50	449	376
120	454	V799120	10	52.00	26.25	30.00	50.50	27.50	449	570
150	568	V799150	10	64.00	26.25	30.00	62.50	27.50	449	673
200	757	V799200	10	77.00	25.81	36.00	75.50	33.50	449	987

Dimensions and specifications are subject to change without notice. Not all items are Made-To-Stock, contact us for availability.

12/14

Ph : 920-682-6877
Fx : 920-684-7210



sales@ldi-industries.com
www.ldi-industries.com